



OPERATOR'S MANUAL

MODEL #100434
24 IN. 2-STAGE SNOWBLOWER



REGISTER YOUR PRODUCT ONLINE

at championpowerequipment.com



1-877-338-0999

or visit championpowerequipment.com

READ AND SAVE THIS MANUAL. This manual contains important safety precautions which should be read and understood before operating the product. Failure to do so could result in serious injury. This manual should remain with the product.
Specifications, descriptions and illustrations in this manual are as accurate as known at the time of publication, but are subject to change without notice.

TABLE OF CONTENTS

<u>Introduction</u>	3	<u>Maintenance</u>	21
<u>Safety Definitions</u>	3	<u>Servicing</u>	21
<u>Important Safety Instructions</u>	4	<u>Refueling</u>	22
<u>General Safety</u>	4	<u>Adding Fuel</u>	22
<u>Preparation For Use</u>	4	<u>Engine Oil Level Check</u>	22
<u>Safe Handling of Gasoline</u>	4	<u>Oil Change</u>	23
<u>Operation</u>	4	<u>Replacing Shear Pins</u>	23
<u>Clearing a Clogged Discharge Chute</u>	5	<u>Adjusting Self-Drive Control Handle Cable</u>	23
<u>Maintenance and Storage</u>	5	<u>Adjusting Auger Control Cable</u>	24
<u>Fuel Safety</u>	6	<u>Replace Traction Drive Belt</u>	24
<u>Safety Symbols</u>	7	<u>Repair or Replace Friction Disk</u>	25
<u>Operation Symbols</u>	9	<u>Lubrication</u>	27
<u>Safety Labels</u>	10	<u>Storage</u>	27
<u>Controls and Features</u>	11	<u>Transporting</u>	27
<u>Snowblower</u>	11	<u>Specifications</u>	28
<u>Engine</u>	11	<u>Snowblower Specifications</u>	28
<u>Assembly</u>	14	<u>Engine Specifications</u>	28
<u>Unpacking</u>	14	<u>Oil Specifications</u>	28
<u>Wheels and Shoes</u>	14	<u>Fuel Specifications</u>	28
<u>Handle</u>	15	<u>Parts Diagram</u>	29
<u>Speed Control Connecting Lever</u>	15	<u>Parts List</u>	30
<u>Self-Drive Control Wire and Auger Control Wire</u>	16	<u>Engine Parts Diagram</u>	34
<u>Snow Discharge Support</u>	16	<u>Engine Parts List</u>	35
<u>Snow Discharge Chute</u>	17	<u>Troubleshooting</u>	37
<u>Discharge Chute Rotation Lever</u>	17		
<u>Operation</u>	18		
<u>Before Operation</u>	18		
<u>Starting the Engine</u>	18		
<u>Stopping the Engine</u>	19		
<u>Control Levers</u>	19		
<u>Drive System</u>	20		
<u>Adjusting the Snow Discharge Direction and Height</u>	20		
<u>Adjusting the Snow Shoes</u>	21		
<u>After Use</u>	21		

INTRODUCTION

Congratulations on your purchase of a Champion Power Equipment (CPE) product. CPE designs, builds, and supports all of our products to strict specifications and guidelines. With proper product knowledge, safe use, and regular maintenance, this product should bring years of satisfying service.

Every effort has been made to ensure the accuracy and completeness of the information in this manual at the time of publication, and we reserve the right to change, alter and/ or improve the product and this document at any time without prior notice.

Since CPE highly values how our products are designed, manufactured, operated and are serviced, and also highly value your safety and the safety of others, we would like you to take the time to review this product manual and other product materials thoroughly and be fully aware and knowledgeable of the assembly, operation, dangers and maintenance of the product before use. Fully familiarize yourself, and make sure others who plan on operating the product fully familiarize themselves too, with the proper safety and operation procedures before each use. Please always exercise common sense and always err on the side of caution when operating the product to ensure no accident, property damage, or injury occurs. We want you to continue to use and be satisfied with your CPE product for years to come.

When contacting CPE about parts and/or service, you will need to supply the complete model and serial numbers of your product. Transcribe the information found on your product's nameplate label to the table below

CPE TECHNICAL SUPPORT TEAM
1-877-338-0999
MODEL NUMBER
100434
SERIAL NUMBER
DATE OF PURCHASE
PURCHASE LOCATION

SAFETY DEFINITIONS

The purpose of safety symbols is to attract your attention to possible dangers. The safety symbols, and their explanations, deserve your careful attention and understanding. The safety warnings do not by themselves eliminate any danger. The instructions or warnings they give are not substitutes for proper accident prevention measures.

DANGER

DANGER indicates a hazardous situation which, if not avoided, will result in death or serious injury.

WARNING

WARNING indicates a hazardous situation which, if not avoided, could result in death or serious injury.

CAUTION

CAUTION indicates a hazardous situation which, if not avoided, could result in minor or moderate injury.

NOTICE

NOTICE is used to address practices not related to physical injury.

IMPORTANT SAFETY INSTRUCTIONS

WARNING

California Proposition 65: This product contains chemicals and produces exhaust known to the State of California to cause cancer, birth defects and other reproductive harm.

General Safety

1. Read the operating and service instruction manual carefully. Be thoroughly familiar with the controls and the proper use of the equipment. Know how to stop the unit and disengage the controls quickly.
2. Never allow children under 16 years old to operate the equipment. Never allow adults to operate the equipment without proper instruction.
3. Thrown objects can cause serious injury. Keep the area of operation clear of all persons, particularly small children, and pets. Plan your snow discharge pattern to prevent throwing material toward cars, structures, roads and people.
4. Exercise caution to avoid slipping or falling, especially when operating in reverse.
5. Keep in mind that the operator or user is responsible for accidents or hazards occurring to other people or their property.
6. Never use the snowblower under the influence of alcohol or medication, or if you are tired or ill.

Preparation For Use

1. Thoroughly inspect the area where the equipment is to be used and remove all doormats, sleds, boards, wires, and other foreign objects.
2. Disengage all clutch handles before starting the motor.
3. Do not operate the equipment without wearing adequate winter garments. Wear footwear which will improve footing on slippery surfaces.
4. Adjust the auger housing height to clear gravel or crushed rock surface.
5. Never attempt to make any adjustments while the engine is running (except where specifically recommended in the manual).
6. Let engine and machine adjust to outdoor temperatures before starting to clear snow.
7. The operation of any powered machine can result in foreign objects being thrown into the eyes. Always wear safety glasses or eye shields during operation, or while performing an adjustment or repair.

Safe Handling of Gasoline

To avoid severe injury or property damage use high levels of care while handling gasoline. Gasoline is an extremely flammable substance and the vapors are explosive. Serious personal injury can occur when gasoline is spilled on yourself or your clothes, which can ignite. If you come into contact with gasoline, wash affected areas of skin and change clothing immediately.

1. Use only an approved gasoline container.
2. Extinguish all cigarettes, cigars, pipes and other sources of ignition prior to working with or near gasoline.
3. Never refuel machine within closed spaces.
4. Never remove gas cap or add fuel while the engine is hot or running.
5. Allow engine to cool at least two minutes before refueling.
6. Do not over fill fuel tank. Keep fuel level at least ½ inch below bottom of filler neck to provide space for fuel expansion.
7. Replace gasoline cap and tighten securely.
8. If gasoline is spilled, wipe it off the engine and equipment. Move machine to another area. Wait 5 minutes before starting the engine.
9. Never store the machine or fuel container inside where there is an open flame, spark or pilot light (e.g. furnace, water heater, space heater, clothes dryer etc.).
10. Allow machine to cool at least 5 minutes before storing.
11. Never fill containers inside a vehicle or on a truck or trailer bed with a plastic liner. Always place containers on the ground away from your vehicle before filling.
12. If possible, remove gas-powered equipment from the truck or trailer and refuel it on the ground. If this is not possible, then refuel such equipment on a trailer with a portable container, rather than from a gasoline dispenser nozzle.
13. Keep the nozzle in contact with the rim of the fuel tank or container opening at all times until fueling is complete. Do not use gas cans with nozzle lock-open devices.

Operation

1. Do not put hands or feet near or under rotating parts. Keep clear of the discharge opening at all times.
2. Exercise extreme caution when operating on or crossing gravel drives, walks, or roads. Stay alert for hidden hazards or traffic.
3. After striking a foreign object, stop the engine, remove the spark plug, thoroughly inspect the snowblower for any damage, and repair the damage before restarting and operating the snowblower.

4. If the unit should start to vibrate abnormally, stop the engine and check immediately for the cause. Vibration is generally a warning of trouble. Vibration typically indicates a mechanical problem has occurred.
5. Stop the engine whenever you leave the operating position, before unclogging the auger housing or discharge guide, and when making any repairs, adjustments, or inspections.
6. Before cleaning, inspecting or repairing any parts of the snowblower ensure the auger has stopped moving. Disconnect the spark plug wire and keep it away from the plug to prevent accidental starting.
7. Before leaving the machine unattended, disengage all control levers, stop the engine and remove the safety key.
8. Do not run the engine indoors. Exhaust fumes are dangerous.
9. Do not clear snow across the face of slopes. Exercise extreme caution when changing direction on slopes. Do not attempt to clear steep slopes.
10. Never operate the snowblower without proper guards, plates or other safety protective devices in place.
11. Never operate the snowblower near glass enclosures, automobiles, window wells, etc., without proper adjustment of the snow discharge angle. Keep children and pets away.
12. Do not overload the machine capacity by attempting to clear snow at too fast a rate.
13. Never operate the machine at high transport speeds on slippery surfaces. Use care when reversing.
14. Never direct discharge at bystanders or allow anyone in front of the unit.
15. Disengage power to the impeller when snowblower is transported or not in use.
16. Use only attachments and accessories approved by the manufacturer of snowblower (such as wheel weights, counterweights, cabs, etc.).
17. Never operate the snowblower without good visibility or light. Always be sure of your footing, and keep a firm hold on the handles. Walk; never run.
18. Take all possible precautions when leaving the machine unattended. Remove the engine safety key.
19. Keep all nuts, bolts and screws tight to be sure the equipment is in safe working condition;
20. Replace worn or damaged parts for safety; Use only genuine replacement parts and accessories.
21. This snowblower is not intended for use by persons (including children) with reduced physical, sensory or mental capabilities, or lack of experience and knowledge,

unless they have been given supervision or instruction concerning use of the appliance by a person responsible for their safety.

22. Be careful while working on the machine or clearing a blockage in the auger or impeller to ensure that fingers and hands do not become crushed or cut.
23. Do not touch hot engine components like the muffler, muffler guard or engine block during operation of the snowblower as they will cause burns.

Clearing a Clogged Discharge Chute

Hand contact with the rotating impeller inside the discharge chute is the most common cause of injury associated with snowblowers. Never use your hand to clean out the discharge chute.

To clear the chute:

1. SHUT THE ENGINE OFF!
2. Wait 10 seconds to be sure the impeller blades have stopped rotating.
3. Always use a clean-out tool. DO NOT use your hands.

Maintenance and Storage

1. Check shear bolts, engine mounted bolts, etc., at frequent intervals for proper tightness to sure the equipment is in safe, working condition.
2. Never store the machine with fuel in the fuel tank inside a building where ignition sources are present such as hot water heaters, space heaters, clothes dryers or any open flame sources. Allow the engine to cool before storing in any enclosure.
3. Always refer to owner's guide instructions for important details if the snowblower is to be stored for an extended period.
4. Maintain or replace safety and instructions labels, as necessary.
5. Run the snowblower for one minute to clear out packed snow and ice to prevent freeze-up during storage.

Fuel Safety

⚠ DANGER

GASOLINE AND GASOLINE VAPORS ARE HIGHLY FLAMMABLE AND EXPLOSIVE.

Fire or explosion can cause severe burns or death.

Gasoline and gasoline vapors:

- Gasoline is highly flammable and explosive.
- Gasoline can cause a fire or explosion if ignited.
- Gasoline is a liquid fuel but it's vapors can ignite.
- Gasoline is a skin irritant and needs to be cleaned up immediately if spilled on skin or clothes.
- Gasoline has a distinctive odor, this will help detect potential leaks quickly.
- In any petroleum gas fire, flames should not be extinguished unless by doing so the fuel supply valve can be turned OFF. This is because if a fire is extinguished and a supply of fuel is not turned OFF, then an explosion hazard could be created.
- Gasoline expands or contracts with ambient temperatures. Never fill the gasoline tank to full capacity, as gasoline needs room to expand if temperatures rise.

When adding or removing gasoline:

Turn the snowblower off and let it cool for at least two minutes before removing the gasoline cap. Loosen the cap slowly to relieve pressure in the tank.

Only fill or drain gasoline outdoors in a well-ventilated area.

DO NOT pump gasoline directly into the snowblower at the gas station. Use an approved container to transfer the fuel to the snowblower.

DO NOT overfill the gasoline tank.

Always keep gasoline away from sparks, open flames, pilot lights, heat and other sources of ignition.

DO NOT light or smoke cigarettes.

When starting the snowblower:

DO NOT attempt to start a damaged snowblower.

Make certain that the gasoline cap, air filter, spark plug, fuel lines and exhaust system are properly in place.

Allow spilled gasoline to evaporate fully before attempting to start the engine.

Make certain that the snowblower is resting firmly on level ground.

When operating the snowblower:

DO NOT tip the snowblower or allow fuel or oil to spill.

When transporting or servicing the snowblower:

Make certain that the fuel valve is in the OFF position, the gasoline tank is empty.

Disconnect the spark plug wire.

When storing the snowblower:

Store away from sparks, open flames, pilot lights, heat and other sources of ignition.









Do not store snowblower or gasoline near furnaces, water heaters, or any other appliances that produce heat or have automatic ignitions.





⚠ WARNING

Never use a gasoline container, gasoline tank, or any other fuel item that is damaged or appears damaged.

Safety Symbols












Some of the following symbols may be used on this product. Please study them and learn their meaning. Proper interpretation of these symbols will allow you to more safely operate the product.










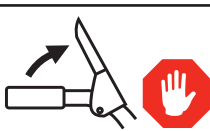


SYMBOL	MEANING
	Read Operator's Manual. To reduce the risk of injury, user must read and understand operator's manual before using this product.
	Eye and Ear Protection. Always wear safety goggles or safety glasses with side shields, and as necessary a full face-shield as well as full ear protection when operating this product. Always wear eye protection with side shields marked to comply with ANSI Z87.1.
	Safety Alert. This machine was built to be operated according to the safe operation practices in this manual. As with any type of power equipment, carelessness or error on the part of the operator can result in serious injury. This machine is capable of amputating fingers, hands, toes and feet and throwing foreign objects. Failure to observe the safety instructions could result in serious injury or death.
	Fire/Explosion. Fuel and its vapors are extremely flammable and explosive. Fire or explosion can cause severe burns or death. Operation of this equipment may create sparks that can start fires around dry vegetation. A spark arrestor may be required. The operator should contact local fire agencies for laws or regulations relating to fire prevention requirements.
	Electric Shock. Failure to use the starter in dry conditions and to observe safe practices can result in electric shock.
	Toxic Fumes. The engine exhaust from this product contains chemicals known to cause cancer, birth defects and other reproductive harm. Risk of Asphyxiation. This engine emits carbon monoxide, an odorless, colorless poison gas. Breathing carbon monoxide can cause nausea, fainting or death. Use only in a well-ventilated area.
	Thrown Objects. This machine may pick up and throw objects which can cause serious personal injury.
	Always Use Chute Tool. Never use your hands to clear a clogged chute assembly. Shut OFF engine and remain behind handles until all moving parts have stopped before unclogging.

SYMBOL	MEANING
	<p>Hot Surface. To reduce the risk of injury or damage, avoid contact with any hot surface.</p>
	<p>Open Flame Alert. Fuel and its vapors are extremely flammable and explosive. Keep fuel away from smoking, open flames, sparks, pilot lights, heat, and other ignition sources.</p>
	<p>Rotating Auger. DANGER: Avoid injury from rotating auger - keep feet away.</p>
	<p>Rotating Blades. Never put your hand in the chute. Contact with rotating parts can amputate fingers and hands.</p>

Operation Symbols

Some of the following symbols may be used on this product. Please study them and learn their meaning. Proper interpretation of these symbols will allow you to more safely operate the product.

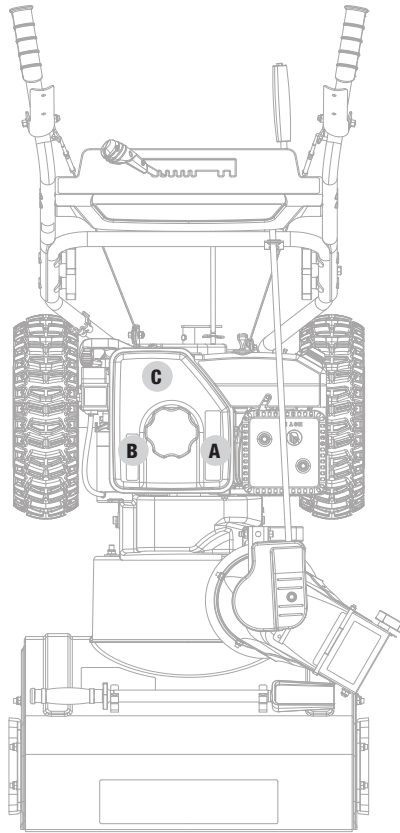
SYMBOL	MEANING
	Start. Follow steps to start engine.
	Check Oil Level. Recommended oil is OW-30. The engine can be seriously damaged without oil. Always check the oil level before using. The machine must be resting firmly on level ground when checking.
	Check Fuel Level. Use clean, fresh, regular unleaded gasoline with a minimum octane rating of 85 and an ethanol content of less than 10% by volume.
	Fuel Valve: ON
	Choke. Move choke lever to "CHOKE" position.
	Throttle: Full Speed. Move the throttle lever to full speed to start the engine.
	Insert Engine Key. Make sure the engine safety key is inserted into the key hole.
	Cold Prime. To start a cold engine, prime 3-5 times.
	Warm Prime. To start a warm engine, DO NOT prime.
	Recoil Starter. Pull recoil starter to start the engine.
	Choke. Move choke lever to "RUN" position.

SYMBOL	MEANING
	Operator's Manual. See instruction manual for details on using the electric start feature.
	Stop.
	Fuel Valve: OFF
	Remove Engine Key. Remove the engine key.
	Auger Control Handle.
	Self Drive Control Handle.
	Reverse.
	Forward.
	Engage Wheels, Activate Auger and Impeller.
	Disengage Wheels, Disengage Auger and Impeller.
	Discharge Direction.
	Speed.

Safety Labels

These labels warn you of potential hazards that can cause serious injury. Read them carefully.

If a label comes off or becomes hard to read, contact Technical Support Team for possible replacement.

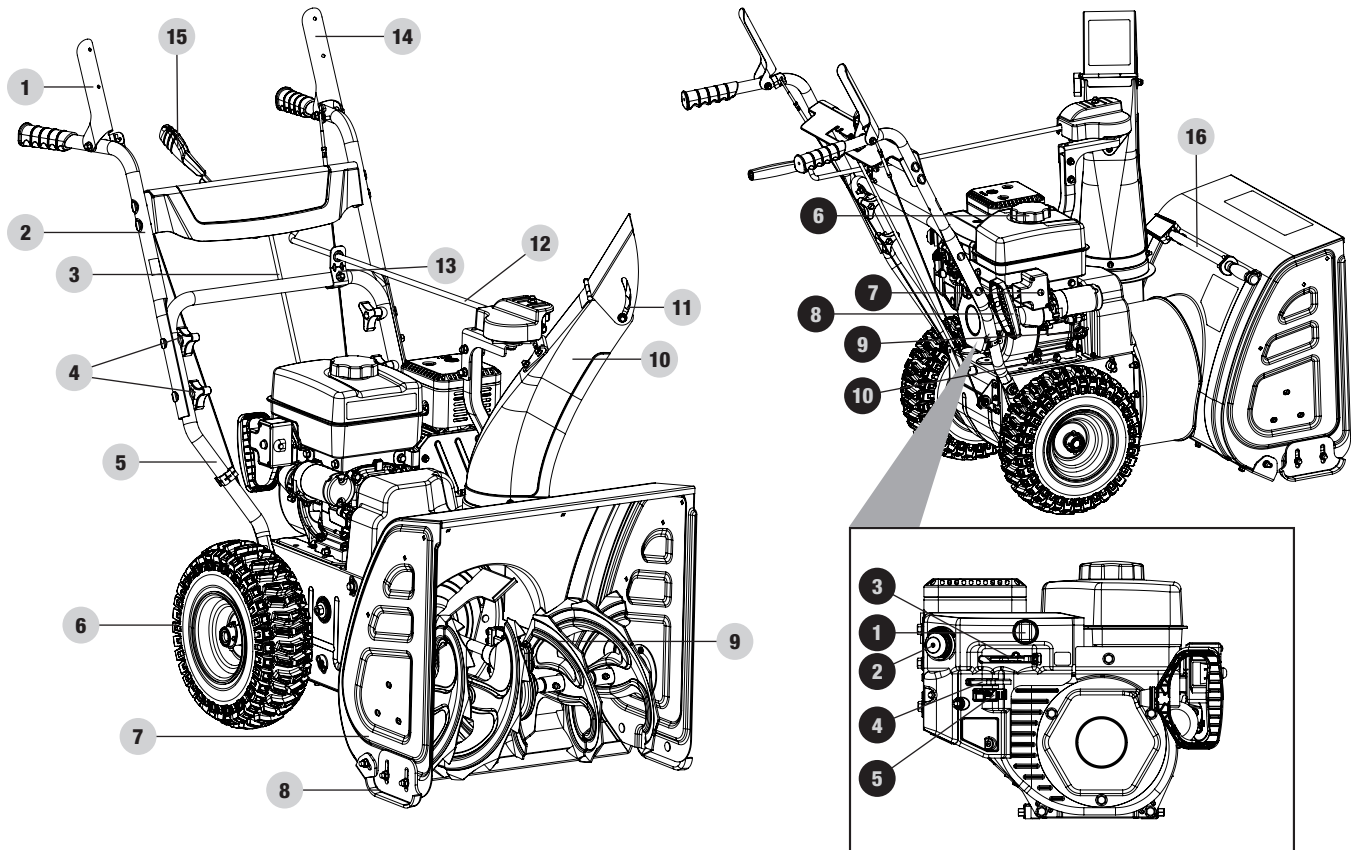


Top

	LABEL	DESCRIPTION
A		Hot Surface
B		Fuel
C		Safety Icons

CONTROLS AND FEATURES

Read this operator's manual before operating your snowblower. Familiarize yourself with the location and function of the controls and features. Save this manual for future reference.



Snowblower

1. Self-Drive Control Handle
2. Upper Handles
3. Speed Control Connecting Lever
4. Handle Locking Knobs
5. Lower Handle
6. Wheels
7. Auger Housing
8. Adjustable Skid Shoes
9. Auger
10. Discharge Chute
11. Discharge Deflector
12. Discharge Chute Rotation Lever
13. Discharge Chute Lever Guide
14. Auger Control Handle
15. Speed Adjusting Handle
16. Clean Out Tool

Engine

1. Key (safety lock out)
2. Primer Bulb
3. Throttle Lever
4. Choke Lever
5. Fuel Valve (On/Off)
6. Fuel Cap
7. Electric Start Button
8. Recoil Starter Grip
9. Oil Fill and Level Check Cap
10. Oil Drain Plug

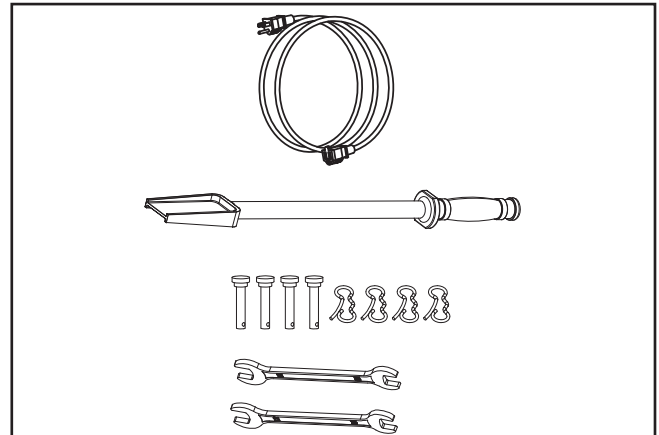
Parts Included

Accessories

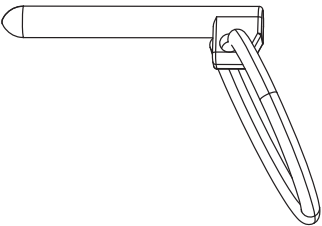
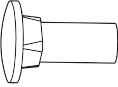

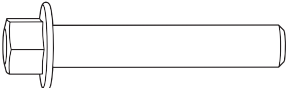
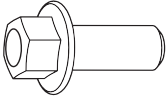

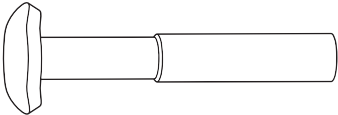

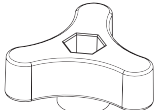
- 6 ft. (1.8 m) Electric Start Power Cord 1
- Chute Clearing Tool 1
- B Clip and Sheer Pins (spare parts)..... 4

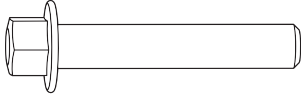


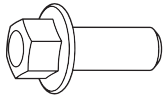
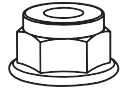
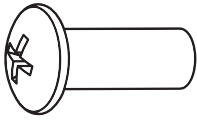

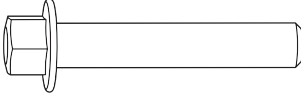


Tools

- 10mm × 12mm Double Open End Wrench 2



Assembly Parts

Part	Part Qty.	Hardware Needed	Hardware Qty.	Hardware Reference	Tool Needed
Wheels	2	Spring lock pin (1-3)	2		N/A
Shoes	2	M8×20 Carriage bolt (1-4)	4		Size 12 Wrench
		M8 All-metal hexagon flange locking nut (1-5)	4		
Lower Handle	1	M8×45 Hexagon flange bolt (2-2)	2		Size 12 Wrench
	1	M8×20 Hexagon flange bolt (2-3)	2		Size 12 Wrench
		Shaped Washer (2-4)	2		N/A
Upper Handle	1	M8×52 Flat head bolts (2-5)	4		N/A
		Curved washer (2-6)	4		N/A
		Locking knob V (2-7)	4		N/A

Part	Part Qty.	Hardware Needed	Hardware Qty.	Hardware Reference	Tool Needed
Discharge chute bracket	1	M8×45 Hexagon flange bolt (2-8)	1		Size 12 Wrench
		M8 All-metal hexagon flange lock nut (2-9)	1		Size 12 Wrench
Speed control connecting lever	1	Lock Pin (3-1)	2		N/A
Snow discharge support	1	M6×20 Hexagon flange bolt (preassembled) (4-1)	2		Size 10 Wrench
		M6 All-metal hexagon flange lock nut (preassembled) (4-2)	3		Size 10 Wrench
Snow discharge chute	1	M6×16 Screw (5-1)	3		Cross-head screwdriver
		M6 All-metal hexagon flange lock nut (5-2)	3		Size 10 Wrench
		M8×45 Hexagon flange bolt (5-3)	2		Size 12 Wrench
		M8 All-metal hexagon flange lock nut (5-4)	2		Size 10 Wrench
Discharge adjusting lever	1	R pin (5-5)	1		N/A
Auger control handle	1	Auger control wire assembly			N/A
Self-drive control handle	1	Self-drive control wire assembly			N/A

ASSEMBLY

Your snowblower requires some assembly. This unit ships from our factory without oil. It must be properly serviced with fuel and oil before operation.

If you have any questions regarding the assembly of your snowblower, call our Technical Support Team at 1-877-338-0999. Please have your serial number and model number available.

Unpacking

1. Set the shipping carton on a solid, flat surface.
2. Remove everything from the carton except the snowblower base — including upper and lower handles, wheels, connecting levers, chute, hardware, etc. Make sure all the assembly parts are included before you start.
3. Lift the top half of the box off and the base should be clear to start assembly.
4. Cut down the bottom carton to allow a flat surface area to install the assembly parts without scratching parts or cutting tires. Alternatively, with team lift help, lift the base of the snowblower out of the carton and place it on a flattened carton to start assembly.

Wheels and Shoes

1. Slide the left wheel (1-1) onto axle (1-2) as the arrow shows (Fig. 1A). Tread pattern should face forward (Fig. 1D). Place axle pin (1-3) into wheel. The axle has a center hole to attach the wheel to the axle (which connects to the drive train). Once inserted, fold ring around axle to hold in place.
2. Repeat on right side. Tread pattern should face forward (Fig. 1D).

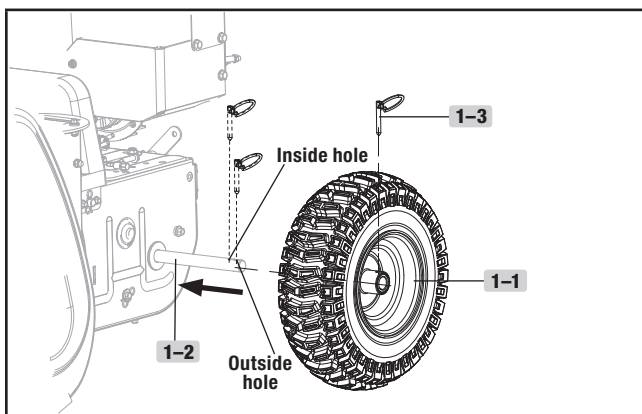


Figure 1A

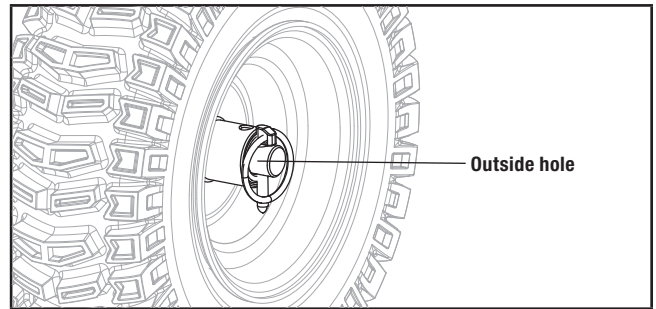


Figure 1B

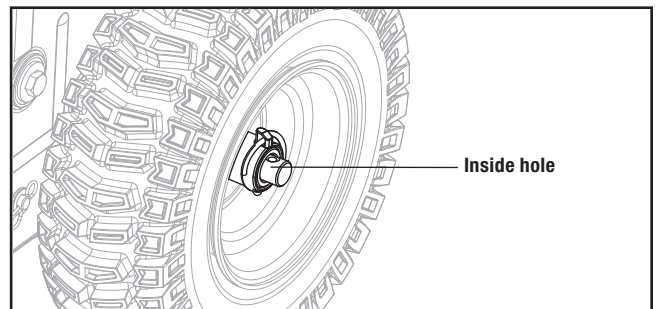


Figure 1C

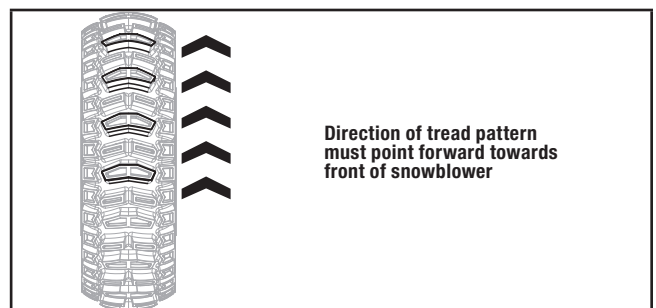


Figure 1D

3. Attach adjustable skid shoes to auger housing. Insert bolts (1-4) through the auger housing then through the shoe (Fig. 2). Tighten nuts (1-5) tightly (Fig. 2). Do not overtighten. The shoe is not reversible. See "Adjusting the Snow Shoes" section.

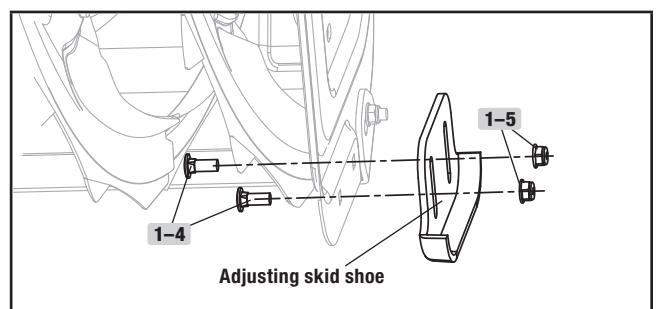


Figure 2

NOTICE

Only the left axle has two holes (Fig. 1A), and the axle pin can be removed and repositioned. If the wheel is slid further in on the axle with the pin inserted into the outside hole of the axle, the machine will move freely without the engine on (Fig. 1B). If the pin is inserted into the inside hole of the axle, the machine will only move when the drive control is engaged when the engine is on (Fig. 1C).

It is optional to slide one wheel past the pin hole in the axle and to place the locking pin into the axle outside the wheel without locking it into the drive axle. This creates a pivot wheel that allows the operator to more easily turn the snowblower during use by using the “free wheel” as a pivot point. Though this makes turning easier, it decreases drive wheel traction by 50%.

Handle

1. Attach the lower handle (2-1) onto the unit body with bolts (2-2, 2-3) and washers (2-4) (Fig. 3). Repeat on the other side.

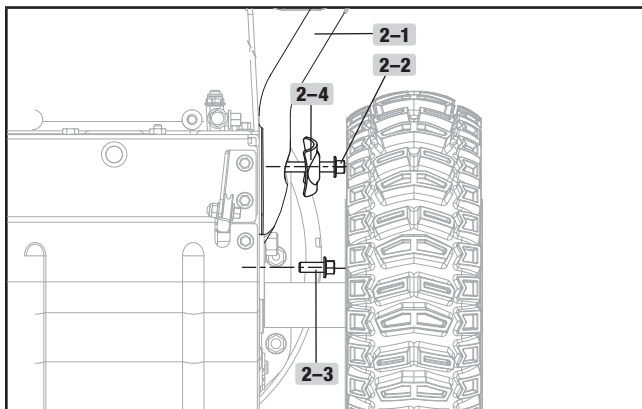


Figure 3

2. Connect the upper handle and lower handle with bolts (2-5), washers (2-6) and locking knobs (2-7) (Fig. 4).

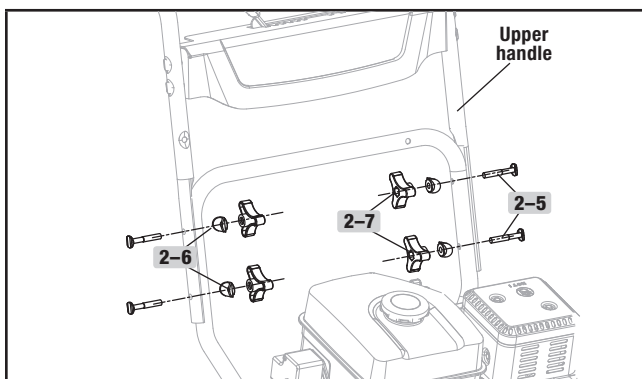


Figure 4

3. Connect discharge chute guide to lower handle with 1 bolt (2-8), and 1 lock nut (2-9) (Fig. 5).

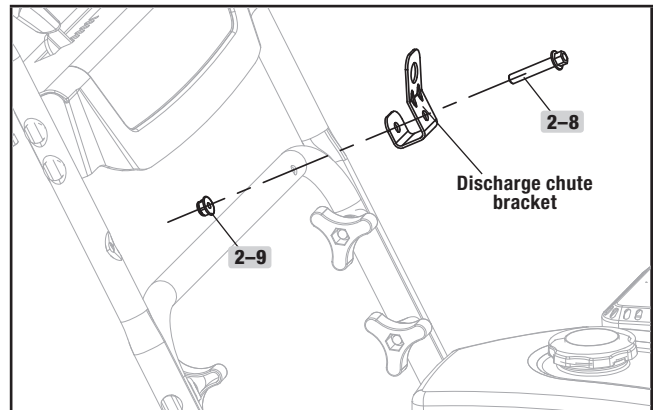


Figure 5

NOTICE

Discharge chute bracket should be placed forward as shown (for correct placement). Do not over-tighten.

Speed Control Connecting Lever

1. Connect the connecting lever (Fig. 6A) and connecting base with cotter pin (3-1) (Fig. 6B).
2. Connect the connecting lever and speed adjusting handle with cotter pin (3-1) (Fig. 6C).

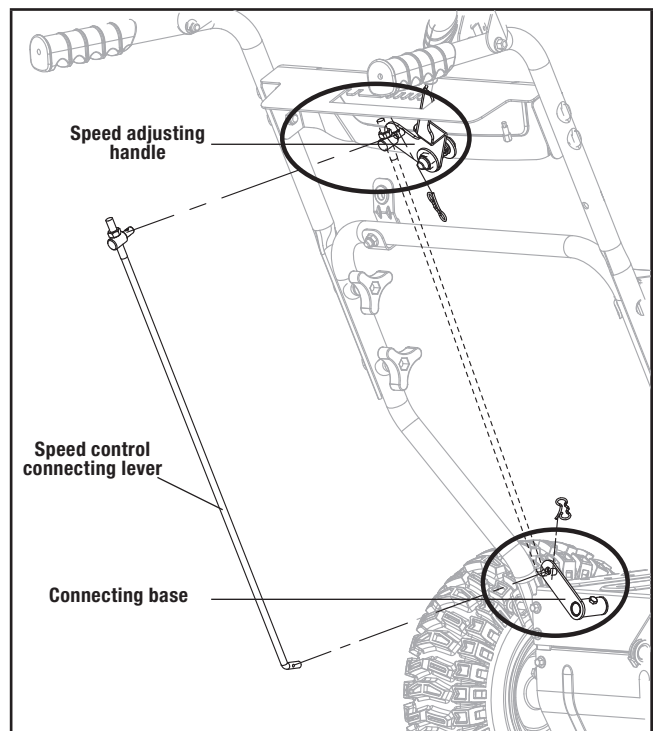


Figure 6A

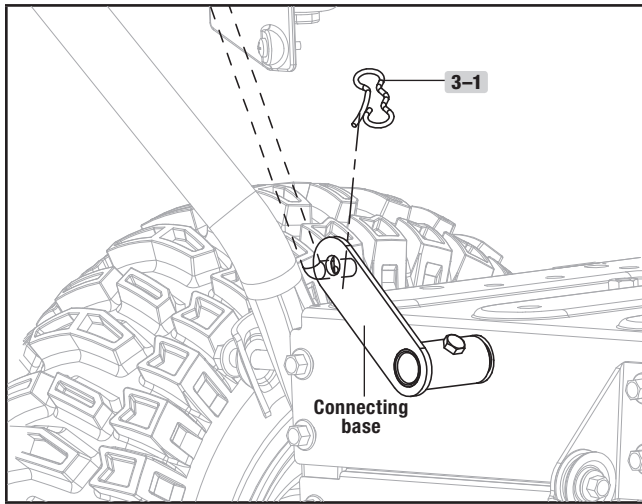


Figure 6B

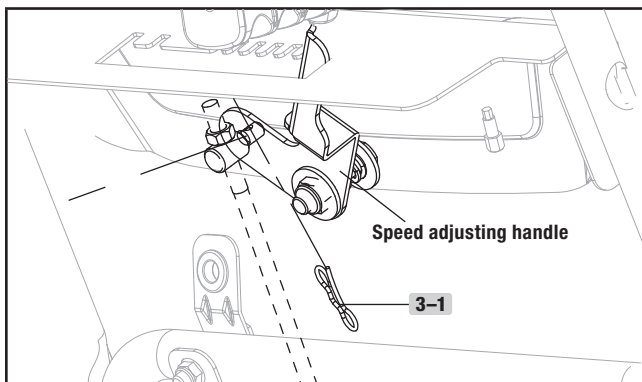


Figure 6C

NOTICE

In the process of operation, if the auger or drive control handle is too loose, screw the bolt (Fig. 7) of part A to get a natural tension station for the wire.

Check the slack of the tension and adjust accordingly. You want to make sure that the tension on the lower side of the snowblower has $\frac{1}{4}$ - $\frac{3}{8}$ in. (6.4-9.5 mm) of movement. If the slack is greater than $\frac{5}{8}$ in. (16 mm), please adjust. Proper tension is important because you will want your snowblower to move forward properly in heavy snowfalls.

Self-Drive Control Wire and Auger Control Wire

1. The auger control wire includes part A and part B (Fig. 7).
2. Lift the auger control handle to the upper position (Fig. 7).
3. Hook part A into the auger control handle (Fig. 7).
4. Connect part A and part B of the auger control wire to get a natural tension station for the wire. (Fig. 7)
5. Hook the self-control wire into the self-drive handle in the same way.

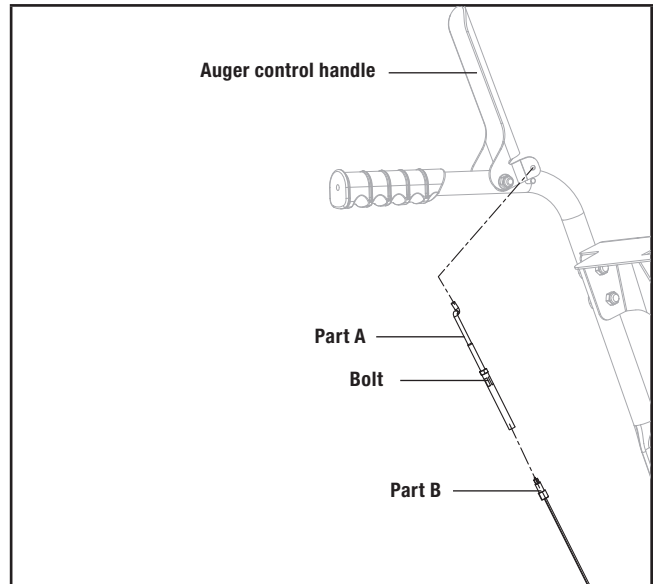


Figure 7

Snow Discharge Support

1. Locate the position for assembly (Fig. 8).
2. Remove the bolts (4-1) (Fig. 8) and nuts (4-2) (Fig. 8) from the main body as shown (Fig. 8). Set aside for next step.
3. Align snow discharge support with the main body.
4. Attach the snow discharge support on the main body with bolts (4-1) (Fig. 8).
5. Tighten all nuts (4-2) as shown (Fig. 8). Do not over-tighten.

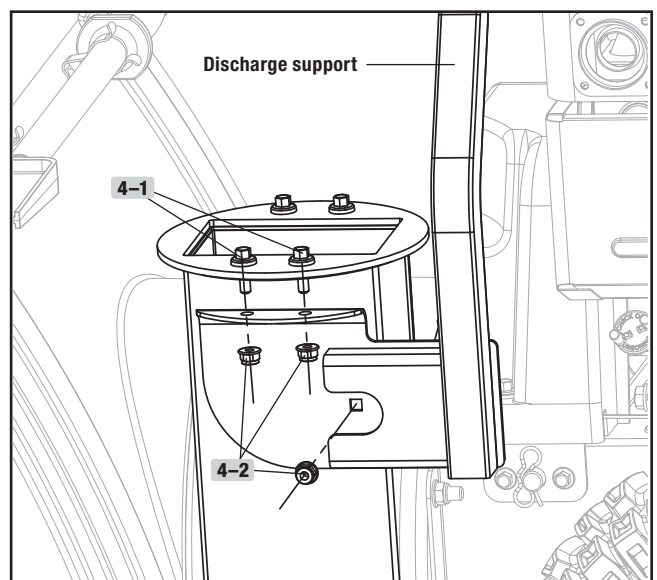


Figure 8

Snow Discharge Chute

1. Remove the bolts (5-1) (Fig. 9A) and nuts (5-2) (Fig. 9A) on the snow discharge chute (Fig. 9A). Hold for later step.
2. Tighten snow discharge chute and the component shown in Fig. 9A using three bolts (5-1) (Fig. 9A) and three nuts (5-2) (Fig. 9A).
3. Put the snow discharge chute on the base of unit's body. Tighten the component on the snow discharge support using bolts (5-3) (Fig. 9B) and nuts (5-4) (Fig. 9B).

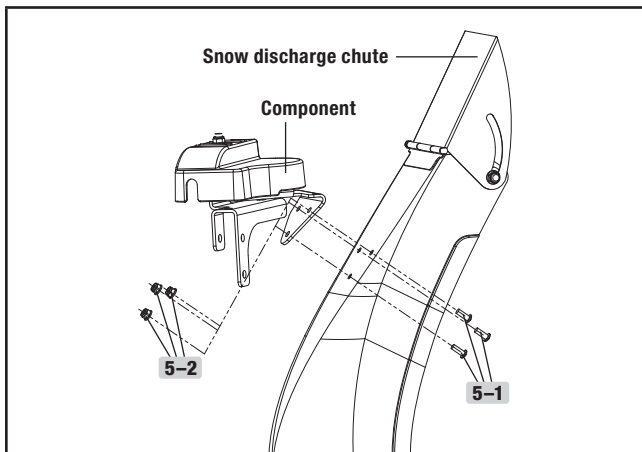


Figure 9A

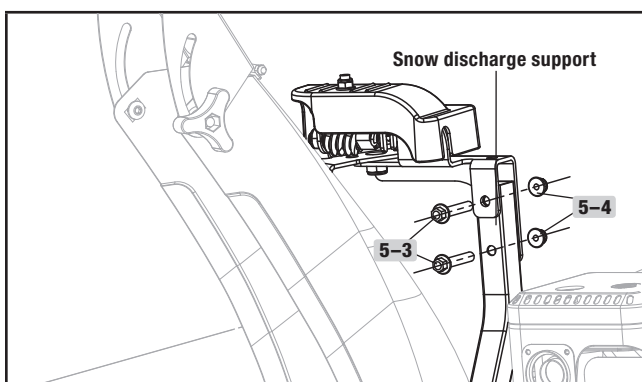


Figure 9B

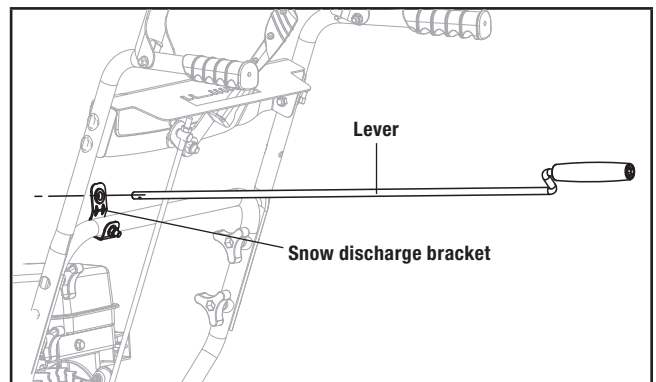


Figure 10A

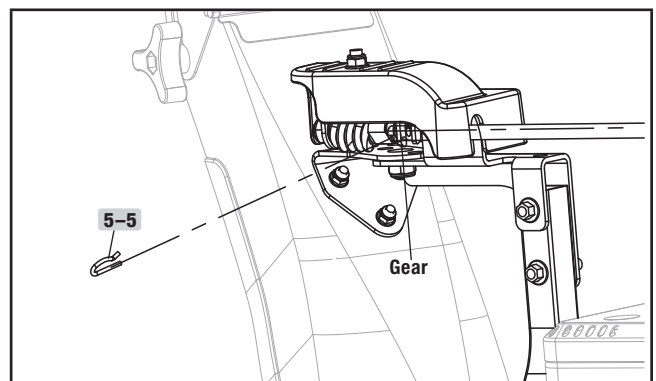


Figure 10B

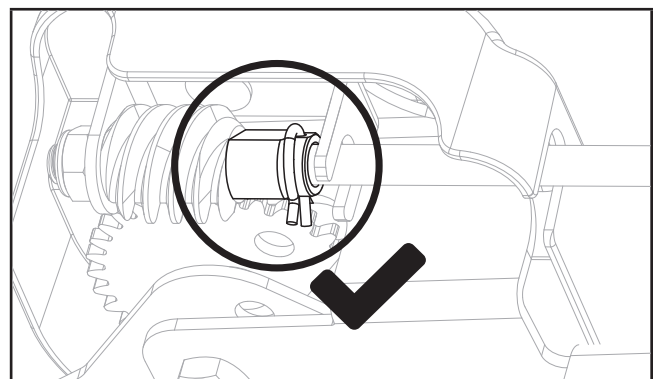


Figure 10C

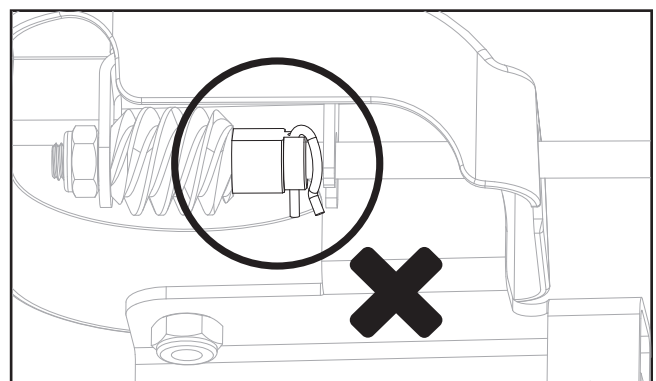


Figure 10D

Discharge Chute Rotation Lever

1. Insert the lever through the discharge chute bracket on the lower handle, and then into the hole of the gear (Fig. 10A).
2. Adjust the fixed hole of the lever and the gear, and then connected with R pin (5-5) (Fig. 10B).
3. Check the snow discharge chute by turning it fully in both directions. The discharge chute should rotate freely.

⚠ WARNING

Ensure the R pin (5-5) is positioned as shown in Fig. 10C, not as shown in Fig. 10D.

OPERATION

Before Operation

- Check the General Condition
- Look around and underneath the engine for signs of oil or gasoline leaks.
- Remove any excessive dirt or debris, especially around the muffler and recoil starter.
- Look for signs of damage.
- Check that all shields and covers are in place, and all nuts, bolts, and screws are tightened.

Check the Engine

1. There is no fuel or oil in the engine. Fill with fuel and add 0W-30 prior to first use.
2. Check the fuel level (see adding fuel section).
3. Check the oil level (see engine oil level check section).
4. See refueling section for more details.

NOTICE

The engine can be seriously damaged without oil. Always check the oil level before using. The machine must stand on level ground when checking.

WARNING

NEVER start the engine until all the above measures under Assembly have been carried out.

WARNING

Never use the snowblower without first reading and understanding the instructions and all the warning and instruction stickers on the machine.

CAUTION

Always use protective goggles or a visor during use, maintenance and service.

Starting the Engine

Read instructions carefully.

1. Make sure the engine safety key is inserted into the key hole (Fig. 11A).
2. Move the fuel valve lever to the on position (Fig. 11A).
3. Move choke lever depending on unit's temperature:

3a. To start a cold engine, move the choke lever to the choke position (Fig. 11A).

3b. To start a warm engine, leave the choke lever to the run position (Fig. 11B).

4. Move the throttle lever to full speed to start the engine (Fig. 11B).

5. Use primer control depending on unit's temperature (Fig. 11B):

5a. To start a cold engine, prime 3-5 times.

5b. To start a warm engine, do not prime.

6. Stand back and to the right of the unit, pull the starter grip lightly until you feel resistance then pull briskly. Return the starter grip gently (Fig. 11C).

7. Alternatively for electric start, plug in the supplied electrical cord into the starter. Press the electric start button and make sure that the mains supply voltage is 120 V~ 60 Hz (Fig. 11D).

8. When the engine starts, move the choke to run position (Fig. 11B).

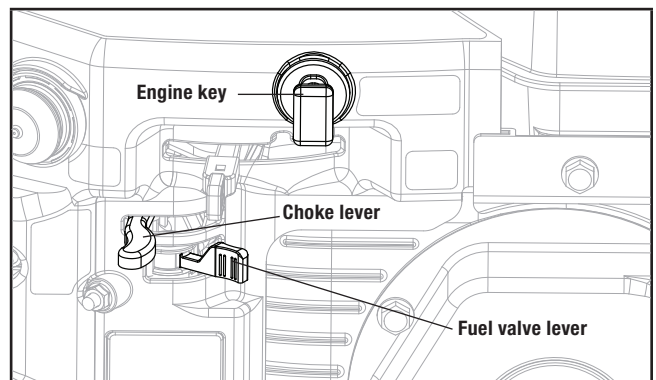


Figure 11A

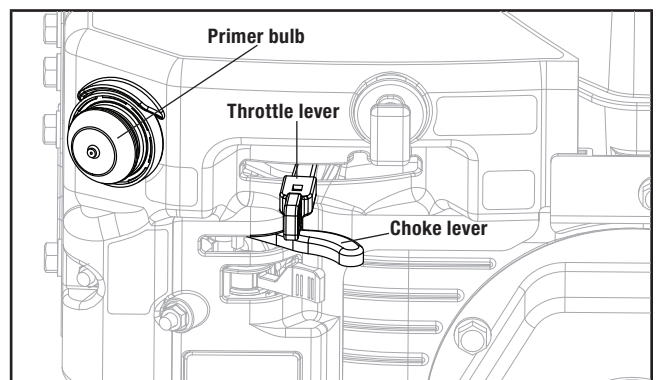


Figure 11B

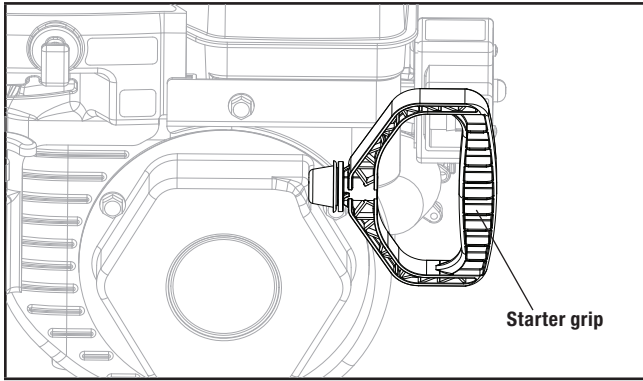


Figure 11C

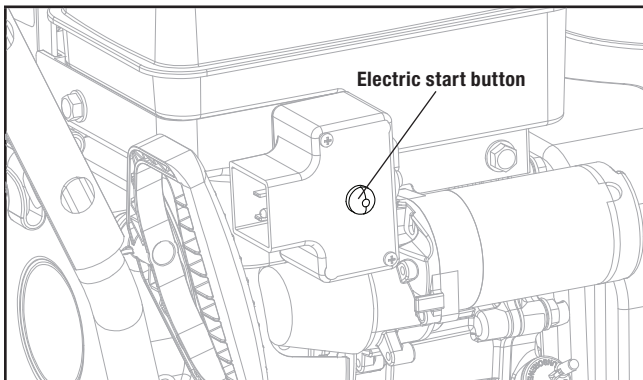


Figure 11D

⚠ WARNING

GASOLINE IS HIGHLY FLAMMABLE.

Store fuel in containers specifically designed for this purpose. Refuel outdoors only, before starting the engine, and do not smoke while refueling or handling fuel. Never remove the cap of the fuel tank or add gasoline while the engine is running or when the engine is hot. If gasoline is spilled, do not attempt to start the engine but move the machine away from the area of spillage and avoid creating any source of ignition until gasoline vapors have dissipated. Replace all fuel tanks and container caps securely. Before tipping the snowblower to maintain the blade or drain oil, remove fuel from tank.

⚠ WARNING

Never fill fuel tank indoors, with engine running, or until the engine has been allowed to cool for at least 15 minutes after running.

⚠ CAUTION

To prevent damaging the electric starter, do run it not more than 10 times at intervals of 5 seconds on, then 5 seconds off. If the engine does not start after this series of attempts, allow the starter to cool for at least 40 minutes before trying to start it again. If the engine still does not start, take the engine to an authorized service center for service. Once started, disconnect the plug from the power supply and the starter.

Stopping the Engine

To stop the engine in an emergency, simply remove the engine key.

Under normal conditions move the fuel valve lever to the OFF.

Control Levers

	<p>Self-drive control handle. Located on the right side handle (Fig. 12).</p>
	<p>When the snowblower has been put into gear, pushing this lever towards the handle engages the wheels.</p>
	<p>Releasing the self-drive control handle causes the machine to stop moving.</p>
	<p>Auger control handle. Located on the left side handle (Fig. 12).</p>
	<p>Pushing this lever towards the handle causes the auger and impeller to activate.</p>
	<p>Releasing the auger control handle causes the auger to stop moving.</p>

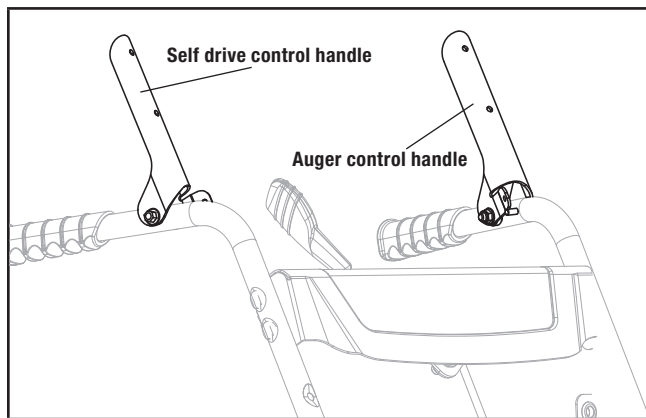


Figure 12

Drive System

Your snowblower has 6 forward speeds and 2 reverse to regulate forward and backward motion (Fig. 13).

The speed-adjusting system has forward speeds ranging from slowest position 1 to fastest position 6. In reverse, R1 is the slowest speed and R2 the fastest.

Adjusting the self-propelled drive system:

1. Release the self-drive control handle to bring the snowblower to a stop.
2. Move the speed-control lever to the gear (either forward or reverse) that you require (Fig. 13).
3. Press the self-drive control handle to engage the drive system.

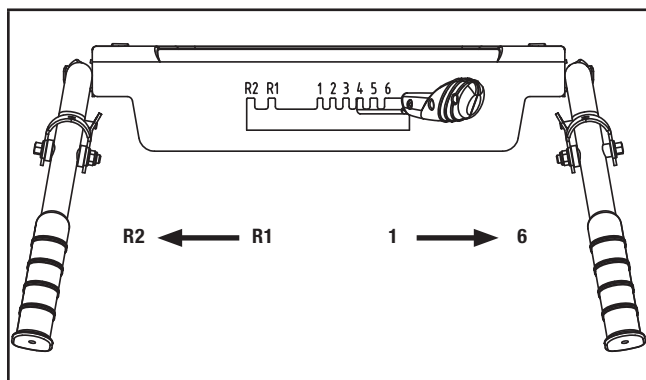


Figure 13

⚠ WARNING

Watch out for rotating auger. Keep hands, feet, hair and loose clothing away from any moving parts on the machine.

Adjusting the Snow Discharge Direction and Height

Change discharge direction:

	Turn the lever counter-clockwise – the snow discharge guide turns to the left.
	Turn the lever clockwise – the snow discharge guide turns to the right.

Change discharge height:

1. Loosen the locking knob to adjust the snow discharge deflector to a suitable height (Fig. 14).
2. Adjust the snow discharge deflector from 0 – 60°.
3. Tighten the locking knob.

	Low - shorter ejection distance
	High - longer ejection distance

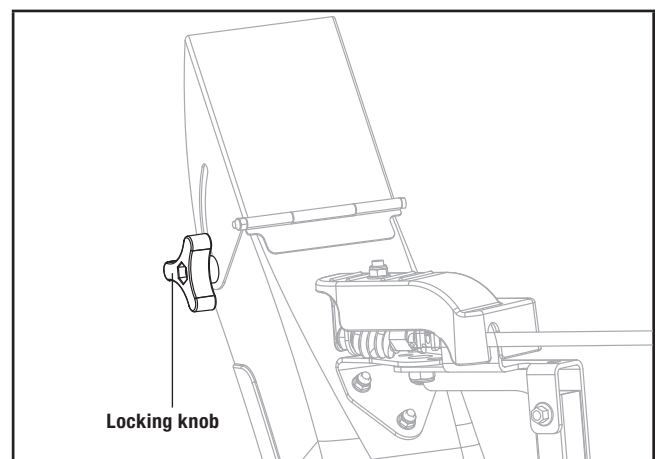


Figure 14

⚠ WARNING

If snow clogs the discharge chute do not try to remove it before:

- Releasing the auger control handle.
- Stopping the engine.
- Disconnecting the cable from the spark plug.

Do not put your hand inside the chute or auger. Use the chute clearing tool included with your snowblower.

Adjusting the Snow Shoes

Set the height of the auger housing above the ground using the shoes.

Adjust the shoes to suit the ground conditions:

- On flat ground, e.g. asphalt, the shoes should be adjusted to about $\frac{1}{8}$ in. (5 mm) (the distance from the auger to the ground) (Fig. 15A).
- On uneven ground, e.g. gravel paths, the shoes should be adjusted to about $1\frac{1}{8}$ in. (30 mm) (the distance from the auger to the ground) (Fig. 15B).

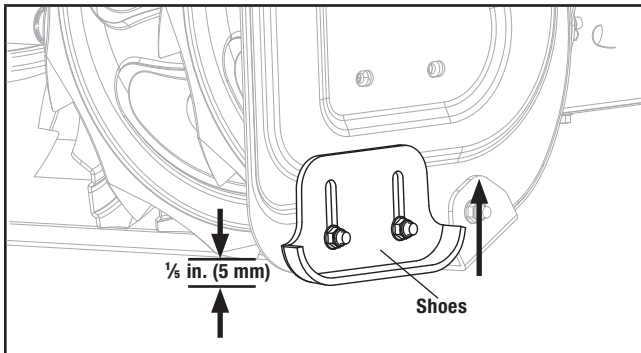


Figure 15A

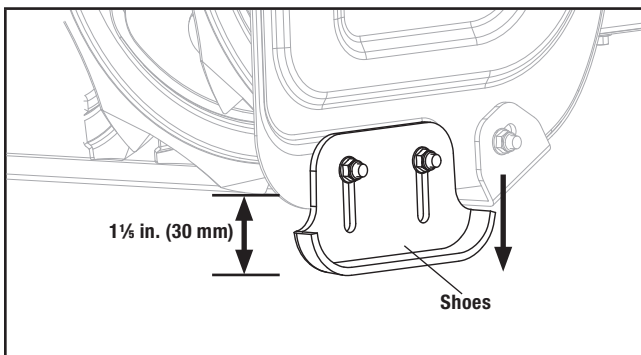


Figure 15B

To adjust the shoes

1. Loosen the nuts.
2. Move the shoes upward or downward to adjust height.
3. Tighten the nuts.

⚠ CAUTION

Always adjust the shoes so that gravel and stones are not fed into the snowblower. There is a risk for personal injury if these are thrown out at high speed.

Ensure the shoes are adjusted the same on both sides.

⚠ CAUTION

Do not at any time make any adjustment to machine without first stopping the engine and disconnecting the spark plug wire.

⚠ CAUTION

Before changing height, stop engine and disconnect spark plug cable.

After Use

1. Check for loose or damaged parts. If required, change damaged parts.
2. Tighten loose screws and nuts.
3. Brush all the snow from the machine.
4. Move all the controls backwards and forwards a few times.
5. Disconnect the spark plug wire from the spark plug.

MAINTENANCE

Servicing

Safety Precautions

Make sure the engine is off before you begin any maintenance or repair. This will eliminate several potential hazards:

- Carbon monoxide poisoning from engine exhaust — never run the machine indoors. The exhaust fumes contain carbon monoxide, a very toxic gas.
- Burns from hot parts — let the engine cool for 30 minutes before touching hot parts.
- Injury from moving parts — read the instructions before you begin, and make sure you have the tools and skills required.

To reduce the possibility of fire or explosion, be careful when working around gasoline. Use only a nonflammable solvent, not gasoline, to clean parts. Keep cigarettes, sparks and flames away from all fuel-related parts.

⚠ CAUTION

Do not cover the machine while the engine and silencer are still warm.

Regular Service Periods

Perform at every indicated month or operating hour interval, whichever comes first.

EACH USE

- Check oil level

EVERY MONTH OR 20 HOURS

- Change oil

EVERY 6 MONTHS OR 100 HOURS

- Change oil
- Check/clean spark plug
- Clean spark arrester

EVERY YEAR OR 150 HOURS

- Replace spark plug
- Check/adjust idle speed*
- Check/adjust valve clearance*
- Clean fuel tank and strainer*

EVERY 2 YEARS (REPLACE IF NECESSARY)

- Check fuel line

*These items should be serviced by your servicing dealer unless you have the proper tools and are mechanically proficient. Refer to manual for service procedures.

Refueling

Use unleaded gasoline to produce fewer engine and spark plug deposits and extend exhaust system life.

Adding Fuel

1. Remove the fuel tank cap (Fig. 16).
2. Add fuel to the bottom of the fuel level limit in the neck of the fuel tank. Do not overfill. Wipe up spilled fuel before starting the snowblower.

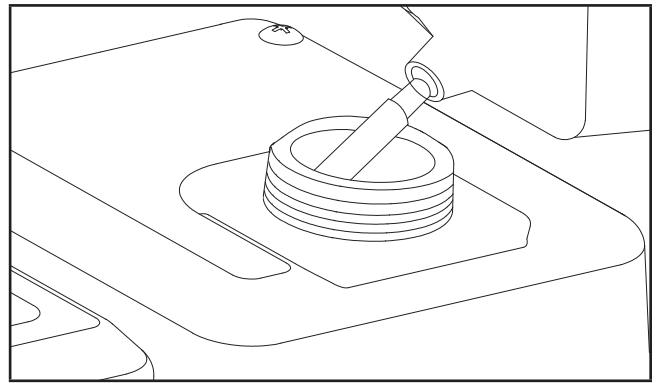


Figure 16

⚠ WARNING

Gasoline is highly flammable and explosive, and you can be burned or seriously injured when refueling.

- Stop engine and keep heat, sparks, and flame away.
- Refuel only outdoors.
- Gasoline is poisonous, be careful not to touch or breathe in the vapor.

Engine Oil Level Check

1. Check the oil with engine stopped and level.
2. Remove the oil cap/dipstick and wipe it clean (Fig. 17A).
3. Insert the oil cap/dipstick into the oil filler neck but do not screw it in, then remove it to check the oil level (Fig. 17B).
4. If the oil level is near or below the lower limit mark on the dipstick, remove the oil cap/dipstick, and fill with the recommended oil to the upper limit mark. Do not overfill (Fig. 17B).
5. Reinstall the oil cap/dipstick.

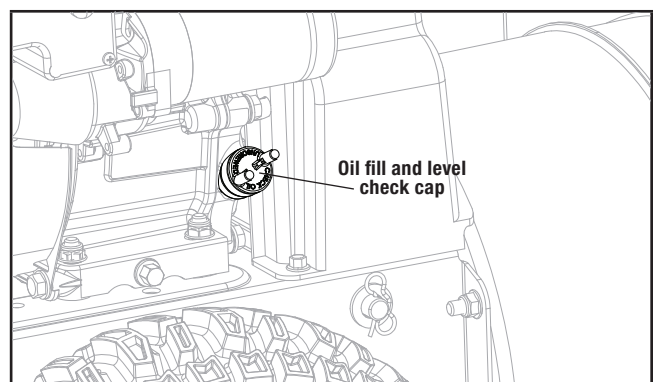


Figure 17A

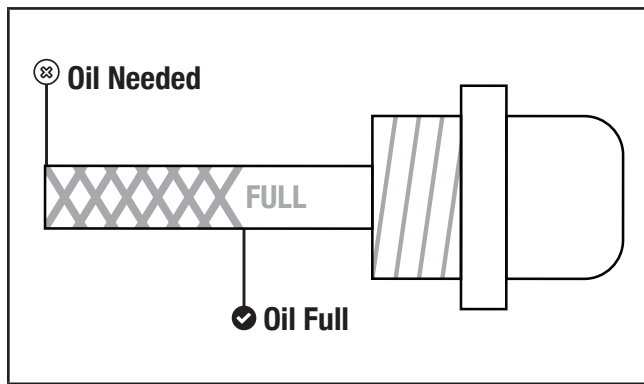


Figure 17B

Oil Change

Drain the engine oil when the engine is warm. Warm oil drains quickly and completely.

1. Turn the fuel valve lever to the OFF position to reduce the possibility of fuel spillage.
2. Place a suitable container below the snowblower to catch the used oil.
3. Remove the drain bolt and drain the oil into the container by slightly tipping the engine toward the oil cap/dipstick (Fig. 18).
4. With the engine in a level position, fill to the upper limit mark on the dipstick with the recommended oil (0W-30).
5. Reinstall the oil cap/dipstick securely.

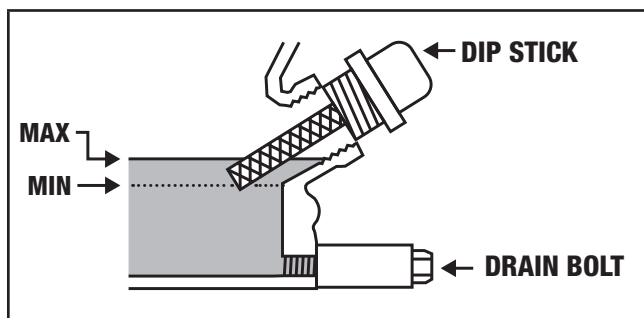


Figure 18

⚠ WARNING

- Running the engine with a low oil level can cause engine damage.
- Engine oil is poisonous, be careful not to touch it.
- With engine off but still warm, disconnect the spark plug wire and keep it away from the spark plug.
- We suggest you take used oil in a sealed container to your local recycling center or service station for reclamation. Do not throw it in the trash, pour it on the ground, or down a drain.

Replacing Shear Pins

The auger housing is shown as Fig. 19A. The augers are secured to the auger drive with shear pins (A) and clips (B). If the auger should strike a foreign object or ice jam, the snowblower is designed so that the lock pins may shear. If the augers will not turn, check to see if the lock pins have sheared (Fig. 19B). Replace shear pin(s) and clip(s) as necessary.

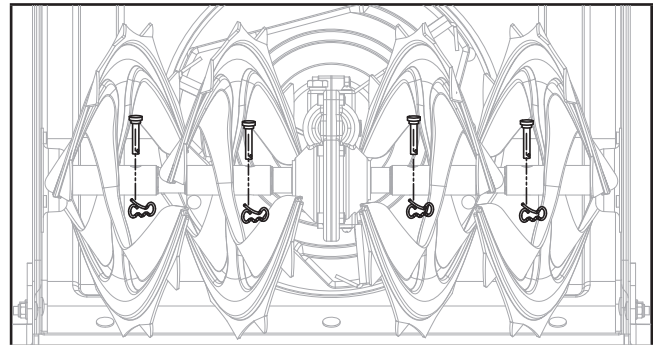


Figure 19A

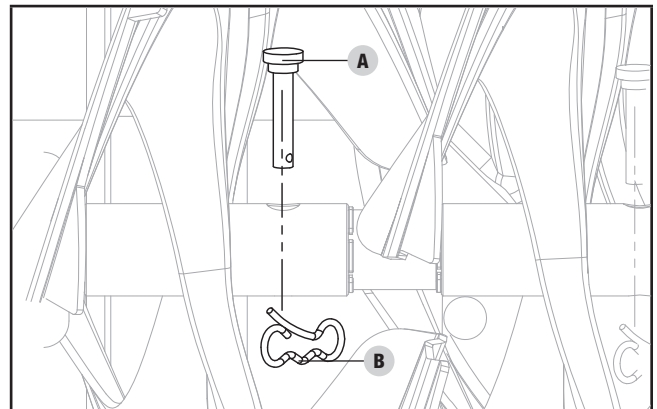


Figure 19B

Adjusting Self-Drive Control Handle Cable

Check the slack of the tension and adjust accordingly. Make sure that the tension on the self-drive cable is adjusted so it has between $\frac{1}{4}$ - $\frac{3}{8}$ in. (6.4-9.5 mm) of movement. This movement can be acquired by measuring the distance the engagement paddle moves from its starting position and the point it becomes taut and starts to move the transmission adjustment lever. If the slack is greater than $\frac{5}{8}$ in. (16 mm), please adjust. Proper tension is important because you will want your snowblower to move forward properly in heavy snowfalls.

While operating the snowblower, if the self-drive control lever is too loose, tighten the nut counter-clockwise while at the same time rotating the bolt upward to reach the position of the nut (Fig. 20).

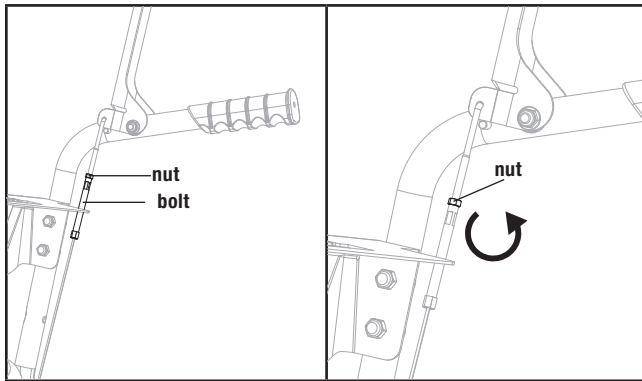


Figure 20

Adjusting Auger Control Cable

Check the slack of the tension and adjust accordingly. Make sure that the tension on the auger control cable is adjusted so it has between $\frac{1}{4}$ - $\frac{3}{8}$ in. (6.4-9.5 mm) of movement. This movement can be acquired by measuring the distance the engagement paddle moves from its starting position and the point it becomes taut and starts to engage the auger. If the slack is greater than $\frac{5}{8}$ in. (16 mm), please adjust. Proper tension is important because you will want your snowblower to maximize belt life in heavy snowfalls.

While operating the snowblower, if the auger control lever is too loose, tighten the nut counter-clockwise while at the same time rotating the bolt upward to reach the position of the nut (Fig. 21).

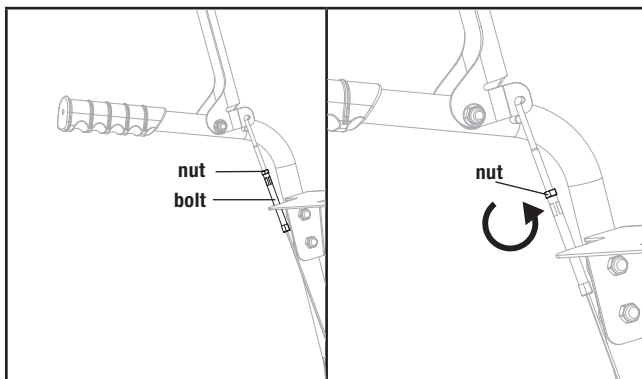


Figure 21

⚠ WARNING

No service must be carried out before:

- The engine has stopped.
- The cable has been disconnected from the spark plug.

🗨 NOTICE

To prevent spillage, remove all fuel from the tank by running the engine until it stops.

Do not attempt to pour fuel from the engine.

Disconnect the spark plug before performing any service.

Replace Traction Drive Belt

Tools required:

- Size 10 wrench (included).
- Size 12 wrench (included).
- Size 13 wrench (not included).

To remove and replace your snowblower's drive belt, proceed as follows:

1. Pull out the R pin (1) (Fig. 22B).
2. Remove the lever (2) from the discharge chute bracket (Fig. 22C).
3. Unscrew the bolt of auger control wire (3) (Fig. 22C).
4. Remove the plastic belt cover (4) on the front of the engine by removing two M6 × 16 bolts (5) (Fig. 22D).

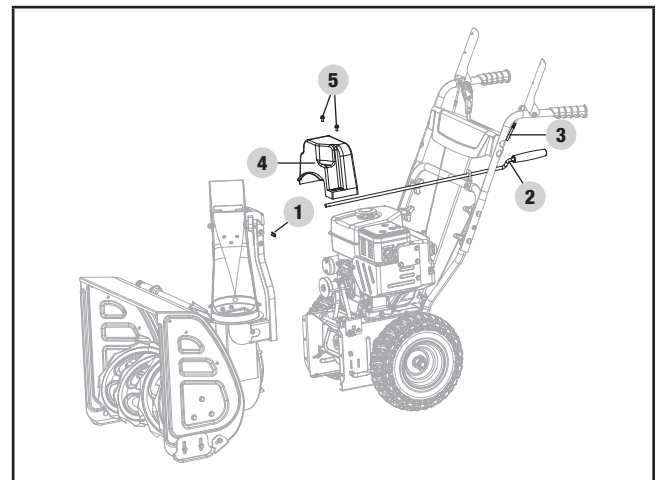


Figure 22A

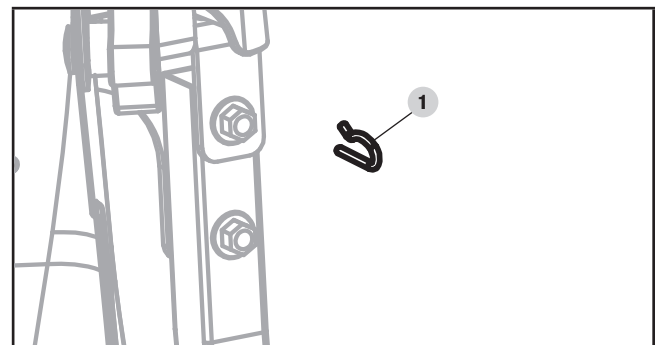


Figure 22B

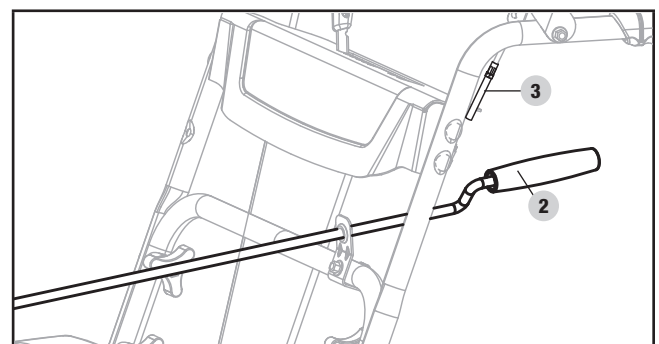


Figure 22C

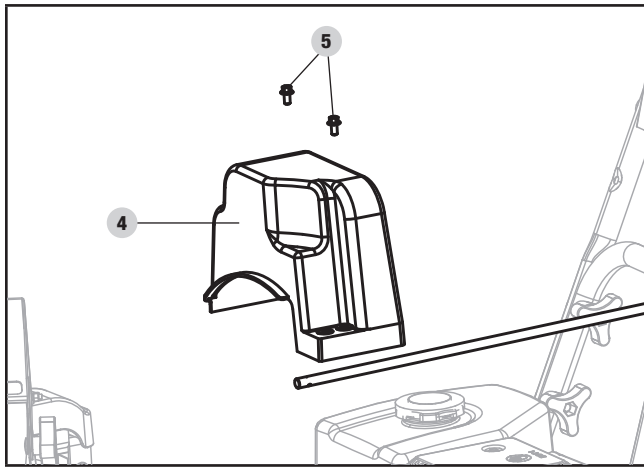


Figure 22D

5. Loosen the belt lever 20 mm bolt (6) (Fig. 23).
6. Unscrew six M8 nuts to separate the auger housing from the base (7) (Fig. 23).

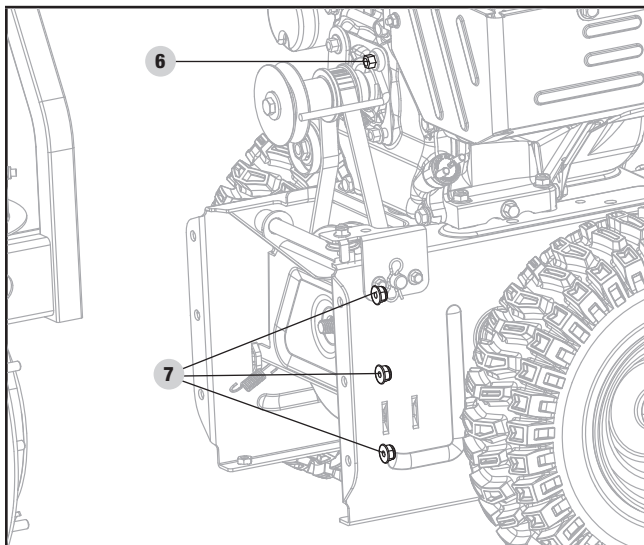


Figure 23

7. Unscrew the bolt on the belt support seat (8) (Fig. 24).
8. Slip the drive belt off the pulley (9). Remove and replace the belt in reverse order ensuring that the new belt is below the spring loaded idler pulley as shown in figure 24.

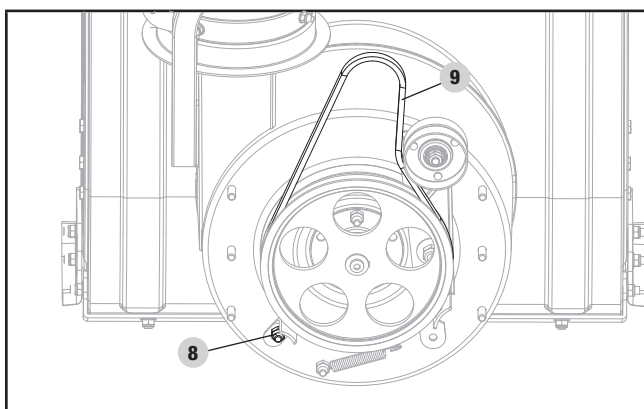


Figure 24

9. Once the belt is replaced, tighten the 20 mm bolt (6), ensuring the clearance between the belt lever (10) and the pulley (11) is $\frac{5}{16}$ in. (8 mm) (Fig. 25).

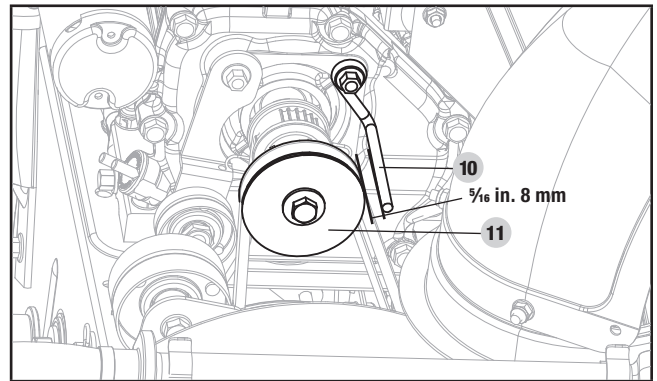


Figure 25

10. Install the plastic belt cover (4) on the front of the engine using two M6 \times 16 bolts (5) set aside from an earlier step. Tighten until snug. Do not over-tighten or you risk damaging the plastic belt cover (Fig. 26).
11. Perform a drive test to confirm everything is in working order.

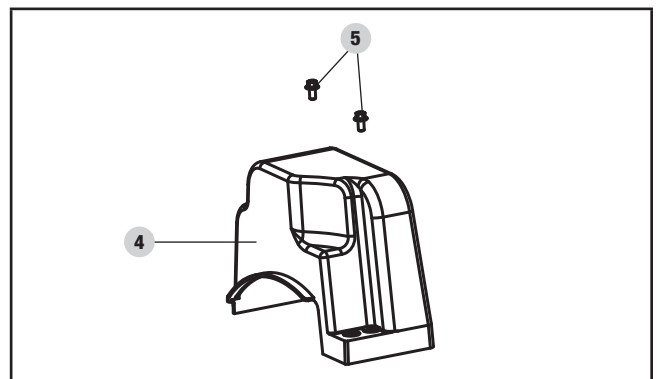


Figure 26

Repair or Replace Friction Disk

NOTICE

If the snowblower fails to drive with the drive control engaged, and performing the drive control cable adjustment fails to correct the problem, the friction disc may need to be replaced.

Tools required:

- Size 10 wrench (included).
- Size 17 wrench (not included).

To remove and replace your snowblower's friction disc, proceed as follows:

1. Carefully pivot the snowblower up and forward so that it rests on the auger housing. Place a piece of cardboard or moving blanket on the ground before tipping forward. Make sure all fluids are removed and spark plug is disconnected.

2. Remove the base frame cover (1) from the underside of the snowblower by removing the six M6 × 16 screws which secure it (Fig 27A/B).
3. Remove the right wheel (2) by removing the axle pin on it (Fig. 27C).

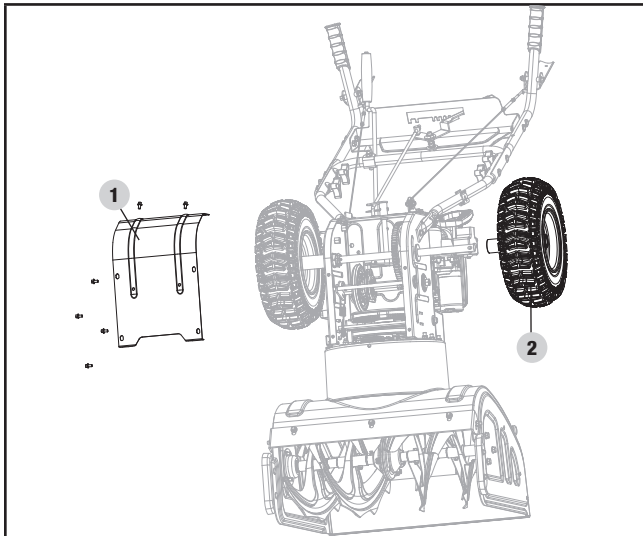


Figure 27A

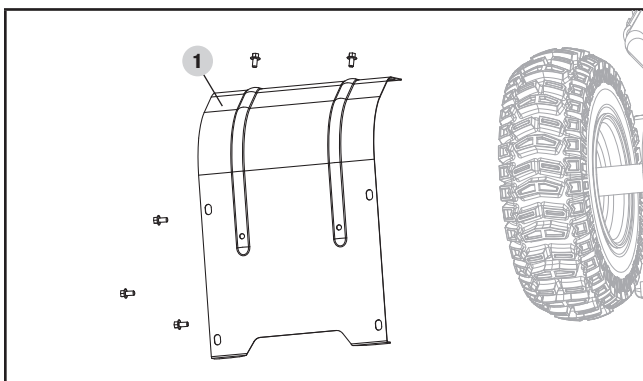


Figure 27B

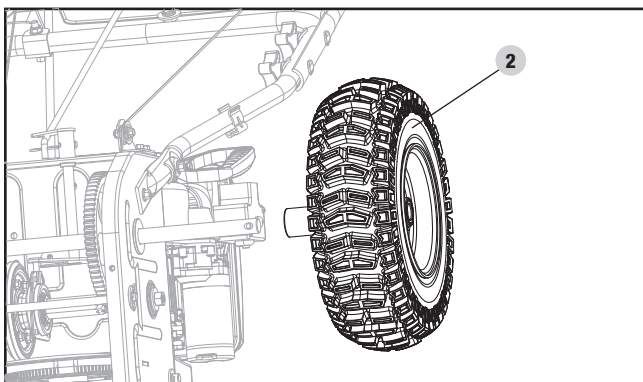


Figure 27C

4. Carefully remove the M10 hex nut (3) which secures the hex shaft (4) to the snowblower frame and lightly tap the

shaft's end to dislodge the ball bearing from the right side of the frame (Fig. 28).

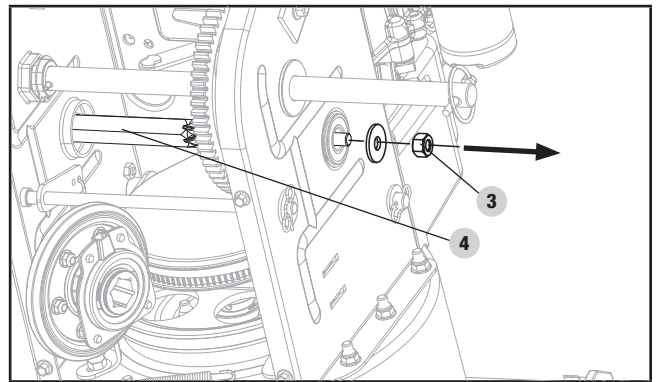


Figure 28

5. Carefully position the hex shaft downward and to the left before carefully sliding the friction disc assembly (5) off the shaft (Fig. 29).

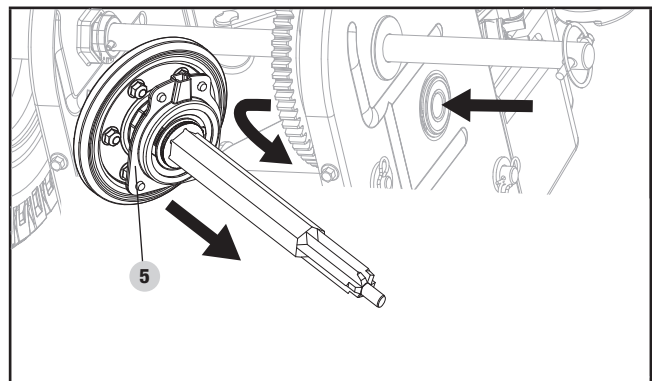


Figure 29

6. Unscrew the six M6 × 16 bolts (6) of the friction disc assembly to discard the worn friction wheel rubber ring (7) and replace with a new one (Fig. 30).

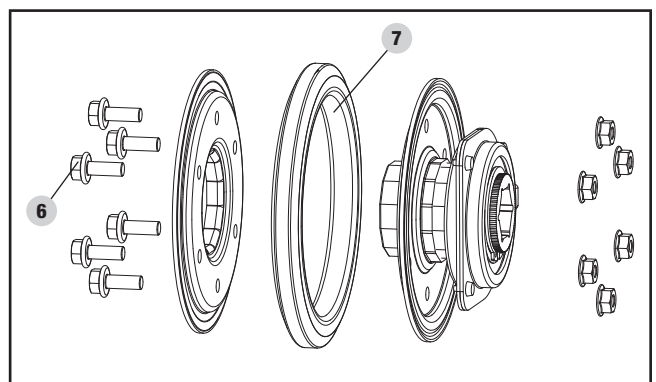


Figure 30

7. Follow the previous steps in reverse order to reassemble the parts.
8. Perform a drive test to confirm everything is in working order.

Lubrication

Lubricate the linkage every 10 hours of use and before long-term storage. Use OW-30 oil.

No parts inside the gearbox are to be lubricated. All bearings and bushings are permanently lubricated and require no maintenance. Lubricating these parts will only result in the grease getting on to the friction wheel and disc drive plate, which could damage the rubber clad friction wheel.

Storage

Never store the machine with gasoline in the fuel tank in a confined area with bad ventilation. Gasoline fumes could reach open flames, sparks and cigarettes etc.

To avoid the engine freezing and problems starting the engine, leave the engine running for 5-10 minutes after your work has been completed. This will ensure all moisture will disappear that would otherwise cause starting problems.

If the machine is to be stored for a longer period than 30 days, the following procedures are recommended.

1. Start the engine and let it run until it stops due to lack of fuel.
2. Change the engine oil if it has not been done for 3 months.
3. Remove the spark plug and empty a little engine oil (about 30 mL) in the hole. Crank the engine a couple of times. Replace the spark plug.
4. Remove the engine safety key.
5. Clean the whole machine thoroughly.
6. Lubricate all the parts as shown in LUBRICATION section above.
7. Inspect the machine for damage, and repair if necessary.
8. Touch up any paint damage.
9. Apply rust protection to the metal surfaces.
10. Store the machine indoors if possible.

Transporting

If the engine has been running, allow it to cool for at least 15 minutes before loading the machine on the transport vehicle. A hot engine and exhaust system can burn you and can ignite some materials.

Keep the engine level when transporting to reduce the possibility of fuel leakage. Move the fuel valve lever to the OFF position.

SPECIFICATIONS

Snowblower Specifications

Model	100434
Speed Control (forward/reverse)	6 / 2
Auger Diameter	12 in. (30 cm)
Clearing Width	24 in. (61 cm)
Wheel Diameter	13 in. (33 cm)
Gross Weight	212 lb. (96 kg)
Net Weight	187 lb. (84.8 kg)
Length	54.7 in. (139 cm)
Width	26 in. (66 cm)
Height	45.3 in. (115 cm)

Engine Specifications

Model	YF172ST
Displacement	224 cc
Type	4-Stroke OHV

Oil Specifications

DO NOT OVERFILL.

Type	0W-30
Capacity	0.6 qt. (0.6 L)

NOTICE

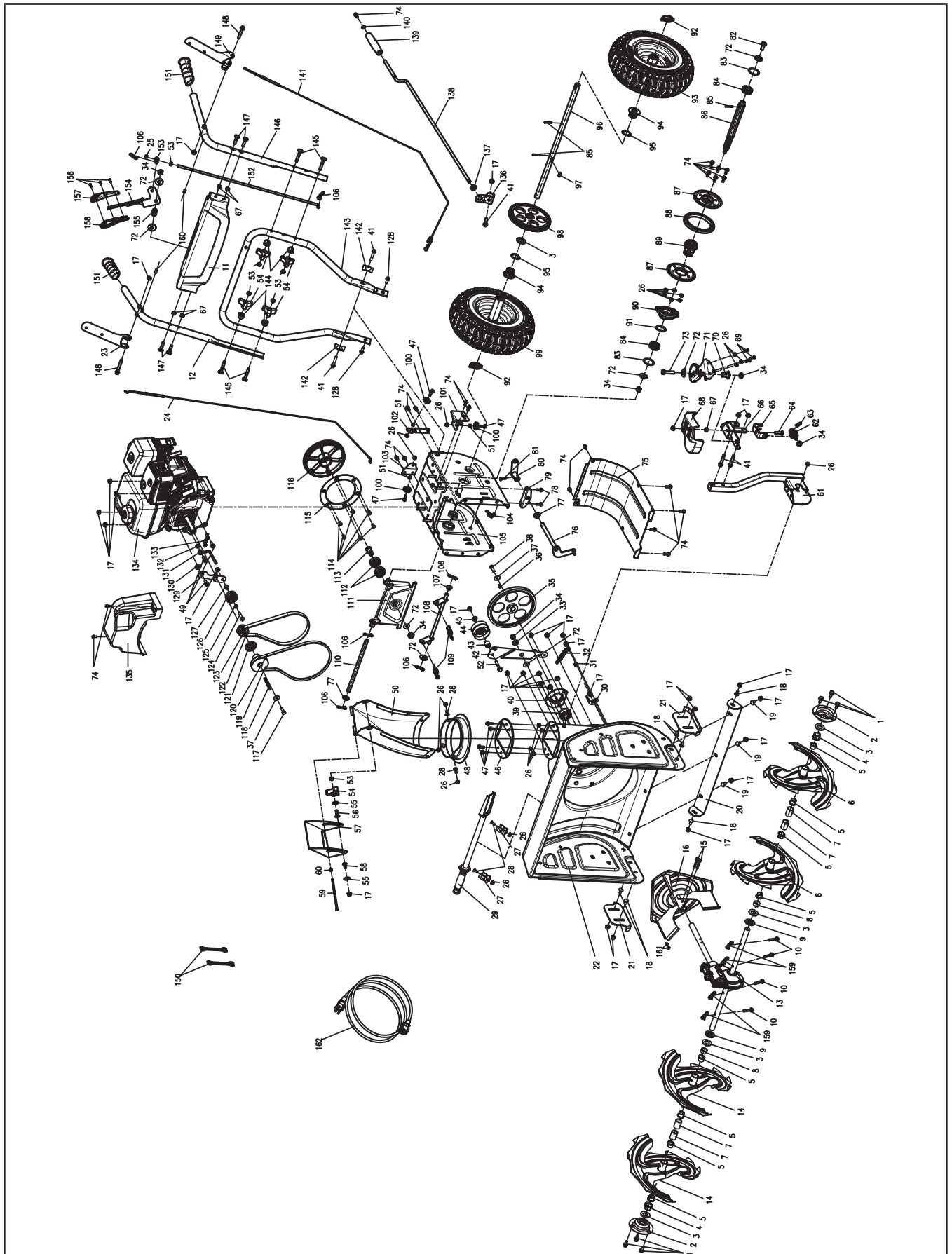
Weather will affect engine oil and engine performance. Change the type of engine oil used based on weather conditions to suit the engine needs.

Fuel Specifications

Use regular unleaded gasoline with a minimum octane rating of 85 and an ethanol content of less than 10% by volume. DO NOT USE E15 or E85. DO NOT OVERFILL.

Gasoline Capacity	0.9 gal. (3.4 L)
-------------------------	------------------

Parts Diagram



Parts List

#	Part Number	Description	Qty.
1	30913070165000	Hexagon Flange Bolt, M8 × 16, Blue Zinc	6
2	23052000115000A	Bearing Support, White Zinc	2
3	23092000055000A	Flat Washer, Ø20 × Ø37 × 2, Blue Zinc	5
4	23053000035000A	Bearing Sheath, Auger	2
5	23051000130001B	T Type Bearing Sheath, Auger, Black	8
6	23055000110001N	Left Auger Assembly, Black	2
7	23051000120001B	Long Bearing Sheath, Auger, Ø19.4 × Ø24.2 × 25.3, Black	4
8	23051000110001B	Short Bearing Sheath, Auger, Ø19.4 × Ø24.2 × 16, Black	2
9	22627000125000A	Wool Felt Washer, Ø40 × Ø20 × 3, White	2
10	23093000025000A	Shear Pin, Ø6 × 35.5, Blue Zinc	4+4
11	23065000205001N	Gear Panel Assembly, Black	1
12	23063000570001A	Right Upper Handle Assembly, Black	1
13	23029000155000A	Worm Gear Box Assembly, 24"	1
14	23055000100001N	Right Auger Assembly, Black	2
15	30223010055000	Hexagon Bolt, M6 × 40, Black Zinc	2
16	23055000160001N	Fan Impeller Assembly, black	1
17	30323060035000	Flange Locking Nut, M8, All Metal Hexagon, Blue Zinc	33
18	30913090025000	Half-Round Head Square Neck Bolt, M8 × 20, Blue Zinc	6
19	30913090015000	Half-Round Head Square Neck Bolt, M8 × 16, Blue Zinc	3
20	23032000400001N	Snow Shovel Plate, 24 inch, Black	1
21	23032000230001N	Sled, 159.7 × 85, Black	2

#	Part Number	Description	Qty.
22	23035000220034N	Big Housing Assembly, Pantone 109C Yellow	1
23	23062000160001B	Right Trigger, Black	1
24	23068000235000A	Self-Driving Assembly, 970 mm	1
25	30313090025000	Hexagon Locking Nut, M8, White Zinc	1
26	30323060015000	Flange Locking Nut, M6, All Metal Hexagon, Blue White Zinc	22
27	23092000075000A	Bracket, Snow Removal, 39.2 × 30.4 × 13, White Zinc	2
28	30913090035000	Half-Round Head Square Neck Bolt, M6 × 16, Blue White Zinc	4
29	23002000135000	Snow Removal (Shovel) Assembly, Black	1
30	23032000135000A	Belt Support, Ø3,40 × 38 × 20.5, White Zinc	1
31	2303300002A	Bushing, Ø8 × Ø12 × 7, White Zinc	1
32	2303800001A	Tension Spring, 65 Mn, Big Tension Wheel, White Zinc	1
33	23034000315000B	Bushing, Ø25 × Ø10.2 × 5.8, Large Tension Board	1
34	23093000125000A	Hexagon Locking Nut, M10, Blue White Zinc	6
35	23034000135000B	Big Triangle Pulley, Ø200 × 15.7, Black	1
36	23093000165000A	Flat Washer, 6 × 6 × 15, Black	1
37	23032000335000A	Thickened Big Washer, Ø8.2 × Ø30 × 3.7, White Zinc	2
38	30913040115000	Hexagon Bolt, M8 × 25, Blue White	1
39	30693010015000	Spherical Bearing	1
40	23052000125000B	Pressing Plate, Bearing, Ø95 × 8.5, White Zinc	1
41	30913070065000	Hexagon Flange Bolt, M8 × 45	5
42	23032000255000B	Large Tension Board	1

#	Part Number	Description	Qty.
43	23034000345000A	Sheath (Thick), Large Tension Wheel, Ø20 × Ø8 × 16.5	1
44	23032000105000C	Large Tension Wheel Assembly, Ø66.5 × 36.2	1
45	23034000325000A	Sheath (Thin), Large Tension Wheel, Ø20 × Ø8 × 5.5	1
46	23071000210001C	Steering Positioning Plate, Ø158.5 × 4, Black	1
47	30913070105000	Hexagon Flange Bolt, M6 × 20, Blue White Zinc	7
48	23075000165001N	Steering Positioning Block Assembly, Ø195 × 51,	1
49	23093000175000A	Hexagon Flange Bolt, 5/16 in. (24UNF-2A)	3
50	23075000120001N	Snow Bucket Assembly, 388 × 295.5 × 164.7, Black	1
51	23033000185000A	Roller Sleeve, White Zinc	3
52	30913040145000	Hexagon Bolt, M8 × 40, Blue Zinc	1
53	30313060025000	Hexagon Nut, M8, Blue White Zinc	6
54	21061000400001A	Rotating Knob, Black	5
55	23071000140001B	Snow Bucket Washer, Black	2
56	30913090045000	Half-Round Head Square Neck Bolt, M8 × 25, Blue White Zinc	1
57	23075000100001N	Small Snow Bucket Assembly, Black	1
58	23099000045000A	Flat Head Inner Hexagon Bolt, M8 × 17, White Zinc	1
59	23093000155000A	Hinge Pin, Ø5, White Zinc	1
60	30313090055000	Hexagon Locking Nut, M5, Blue White Zinc	1
61	23075000130001N	Bracket Assembly, 178 × 92.5 × 392, Black	1
62	23073000115000A	Steering Worm, Ø29.2 × 61, White Zinc	1

#	Part Number	Description	Qty.
63	23093000135000A	R Pin, Ø2.5 × 26.3 × 12.3, White Zinc	1
64	30933010035000	Half-Round Head Square Neck Bolt, M8 × 30, Blue White Zinc	1
65	23073000135000A	Worm Bracket, 64 × 40 × 24, Black	1
66	23062000415000C	Connection Plate, 140 × 98.5 × 148	1
67	30333040045000	Serrated Anti-Slip And Anti-Loose Hexagon Flange Nut, M8, Blue White Zinc	5
68	23041000330001A	Worm Protection Cover, Pp+Gf30, Black	1
69	30213020045000	Machine Teeth Screw, M6 × 16, White Zinc	3
70	23024000195000A	Spacer Bushing, Worm Wheel Plate, Ø29 × Ø25.6	1
71	23072000115000B	Worm Wheel Plate, T=3.2, 102.5 × 82.9 × 86.2, Black	1
72	30512050045000	Big Washer, Ø10, Blue White Zinc	8
73	30913030045000	Haft-Thread Hexagon Bolt, M10 × 45, White Zinc	1
74	30913070015000	Hexagon Flange Bolt, M6 × 16, White Zinc	21
75	23032000160001N	Big Bottom Plate, Black	1
76	23032000195000A	Gear Shift Fork Assembly, Ø13, White Zinc	1
77	23092000045000A	Flat Washer, Ø14 × Ø25 × 2.5, Blue White Zinc	2
78	30913070125000	Hexagon Flange Bolt, M6 × 10, White Zinc	2
79	23032000185000A	Shifting Fork Plate, T=1.5, 95 × 22 × 26.5, White Zinc	1
80	23062000255000A	Gear Link Plate Assembly, Black	1
81	30913040135000	Hexagon Bolt, M5 × 20, Black Zinc	1
82	30913040065000	Hexagon Bolt, M10 × 20, Blue White Zinc	1

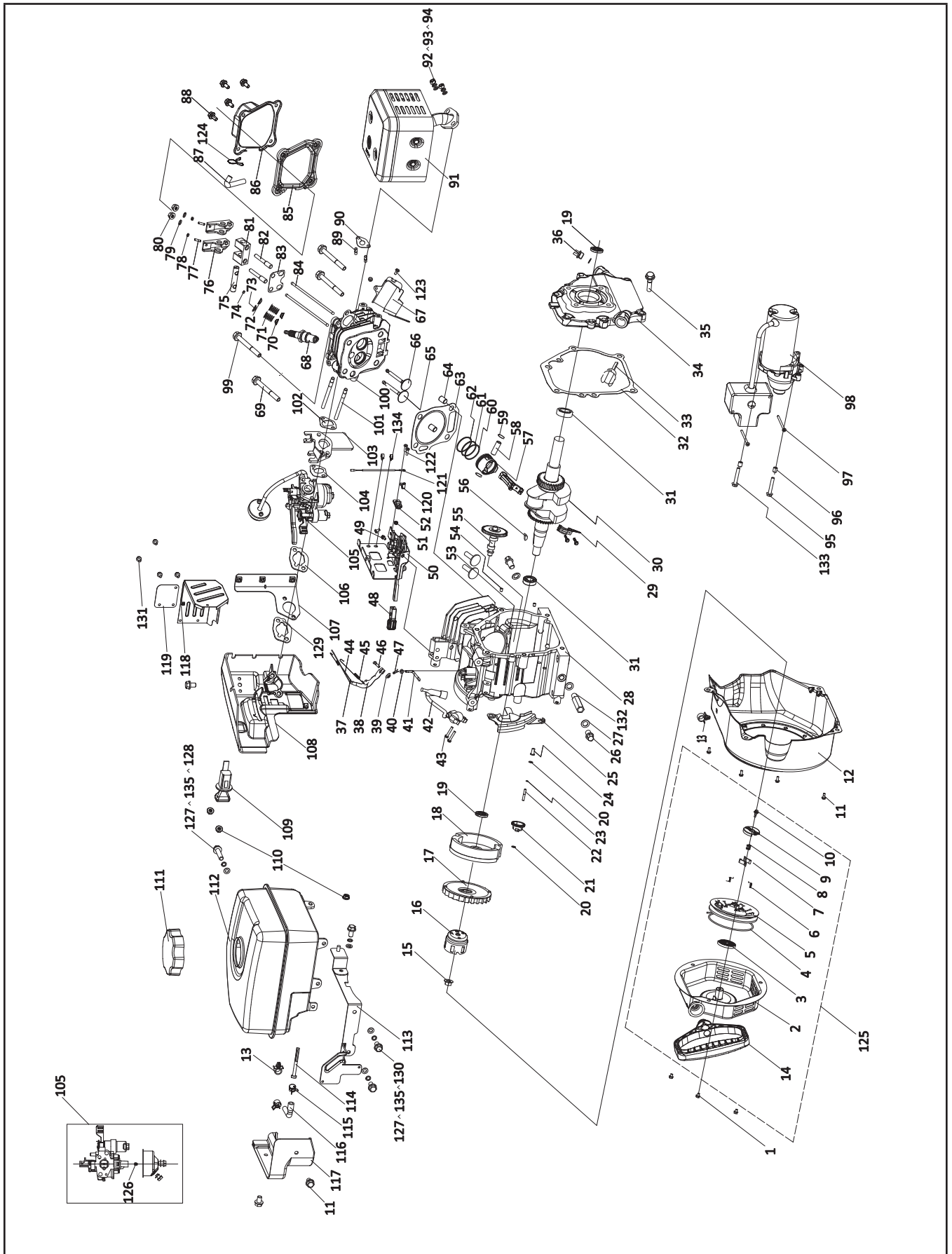
#	Part Number	Description	Qty.
83	23092000065000A	Shaft Ring, Ø38 × Ø43.6 × 1, Black	2
84	23013000025000A	Bearing, 6203Z, 1.6 × 1	2
85	30823060015000	Elastic Column Pin, 4 × 30, Black	3
86	23033000105000A	Wheeled Six Party Shaft, Ø17 × 22 × 253, White Zinc	1
87	23032000285000B	Friction Wheel Clamp, Ø117.6, White Zinc	2
88	23036000105000A	Friction Wheel Rubber Ring, Ø127 × 12.4	1
89	23034000285000B	Wheeled Six Party Sleeve, Ø52 × 52.9	1
90	23032000215000A	Shifting Fork Riveting, White Zinc	1
91	30423010065000	A Type External Circlips, Ø35, Black	1
92	23093000145000A	O Type Elastic Pin, Ø6.2 × 40, Blue White Zinc	2
93	23019000100034D	Left Wheel Assembly, 13 × 4.1 inch, Pantone 109C Yellow	1
94	23034000255000B	Hexagon Angle Bushing, Ø19 × Ø45 × 25.3	2
95	30423010075000	A Type External Circlips, Ø30, Black	2
96	23013000115000B	Wheel Shaft, Ø19, Black	1
97	31013010045000	Flat Key, 6 × 6 × 18, Black	1
98	23034000105000A	Transmission Gear	1
99	23019000110034D	Right Wheel Assembly, 13 × 4.1 inch, Pantone 109C Yellow	1
100	23061000130001B	Wire Roller, Black	3
101	23035000125000B	Front Wire Support Seat Assembly, White Zinc	1
102	23032000175000B	Clutch Wire Support Seat, White Zinc	1
103	23062000145000B	Self Driving Wire Support Seat, White Zinc	1

#	Part Number	Description	Qty.
104	23038000125000C	Extension Spring, Ø8.5 × 44.9, White Zinc	1
105	23035000110034N	Housing Assembly, Pantone 109C Yellow	1
106	22698000065000A	B Pin, White Zinc, Ø2 × 38 × 18	6
107	23034000355000A	Rocer Arm Spacer Bushing, Ø10.1 × Ø20 × 10	1
108	23032000275000A	Rocer Arm, White Zinc	1
109	23068000125000A	Self-Driving Extension Spring, Ø2.1 × Ø15 × 86.5, White Zinc	2
110	23033000335000A	Bracket Shaft, Ø12.5 × 245	1
111	23035000140001B	Friction Disc Bracket Assembly, Black	1
112	30613010075000	Deep Groove Ball Bearing, 6203RS	2
113	23033000115000B	Large Synchronous Pulley Shaft, Ø17 × Ø20 × 39.3, Black	1
114	30213010035000	Cross Recessed Countersunk Head Screw, M6 × 12, Blue White	6
115	23034000195000A	Large Synchronous Pulley Side Plate, Ø169.5	1
116	23034000185000C	Large Synchronous Pulley, Ø170	1
117	30913040085000	Hexagon Bolt, M8 × 35, Blue White Zinc	1
118	23013000015000A	Flat Key, 4.78 × 4.78 × 70, Black	1
119	23034000145000C	Small Triangle Belt, Ø19 × Ø72.5 × 49.5, Black	1
120	23096000175000A	Triangle Belt, 4LXP875	1
121	23034000205000B	Small Synchronous Bushing, Ø46 × 4	1
122	23034000165000B	Small Synchronous Belt, Ø47 × 31.9	1
123	23096000165000A	Synchronous Belt, 740 × 5 mm	1
124	30913070195000	Hexagon Flange Bolt, M8 × 35, Blue White Zinc	1

#	Part Number	Description	Qty.
125	23034000265000A	Shaft Sheath, Small Tension Pulley, Ø8 × Ø15 × 6.1	1
126	23032000115000A	Small Tension Pulley Assembly, Ø45 × 19.4	1
127	23034000275000B	Shaft Sheath, Small Tension Pulley, Ø8 × Ø15 × 11.5	1
128	30913070185000	Hexagon Flange Bolt, M8 × 20, Blue White Zinc	2
129	23032000265000A	Small Tensioning Plate, White Zinc	1
130	23034000295000B	Small Tensioning Plate Cushion, Ø8.2 × Ø25 × 6.3	1
131	23033000225000B	Belt Stop, Ø6, White Zinc	1
132	23092000035000A	External Teeth Locking Washer, Ø8, Black Zinc	1
133	23038000135000A	Small Tension Pulley Spring, Ø1.5 × Ø10.5 × 69.3, White Zinc	1
134	2030100192A	Engine, YF172ST, 224cc	1
135	23041000730001B	Belt Protection Cover, Black	1
136	23062000495000A	Rocker Bracket, T=2,76 × 32 × 30, Black	1
137	21066000135000A	Cable Protective Sleeve, Black	1
138	23063000305000B	Rocker, Ø10 × 875, Black	1
139	23061000220001B	Rocker Sheath, Ø10.5, Black	1
140	23092000015000A	Adjusting Washer, Ø6.1 × Ø15 × 1.6, Black	1
141	23068000225000A	Throwing Snow Cable Assembly, 1164 mm	1
142	23032000205000A	Dish Washer, T=2.5, White Zinc	2
143	23062000270001N	Lower Handle, Black	1
144	21061000113201A	Curved Washer, PA6+GF30, Black	4
145	23099000035000A	Flat Head Bolt, M8 × 52, White Zinc	4
146	23063000580001A	Left Upper Handle Assembly, Black	1

#	Part Number	Description	Qty.
147	23099000025000A	Flat Head Bolt, M8 × 35, White Zinc	4
148	23093000185000A	Special Bolt, M8 × 55, White Zinc	2
149	23062000150001B	Left Trigger, Black	1
150	20121000315000A	Open End Wrenches, 10-12 mm, White Zinc	2
151	23061000140001C	Handle Sheath, PVC, Black	2
152	23063000195000B	Gear Connecting Rod, 547 × M8, Black	1
153	23063000215000A	Column, Gear Connecting Rod, White Zinc	1
154	23065000195000A	Speed Adjustment Handle, 229 × 90 × 29, Black	1
155	23068000135000B	Gear Pressing Spring, Ø14.5 × 33.75, White Zinc	1
156	30113010115000	Self-Driving Screw, ST3 × 12, Black Zinc	3
157	23061000150001B	Gear Handle, Left, Black	1
158	23061000160001B	Gear Handle, Right, Black	1
159	23093000195000A	B pin, white zinc, Ø2 × 28 × 11.1	4+4
160	23096000015000A	Rubber sheath	2
161	30313030015000	Hexagon Nut, M6, Black Zinc	2
162	23089000035000A	AC power cord, 1830mm	1

Engine Parts Diagram



Engine Parts List

#	Part Number	Description	Qty.
1	1.5789.0608.1	Flange Bolt M6 × 8	3
2	26.061100.00.1	Cover, Recoil Starter, Black	1
3	21.061005.00	Spring, Recoil Starter	1
4	2.10.003	Rope Ø5 × 1550	1
5	21.061001.01	Reel, Recoil Starter	1
6	45.060003.00	Spring, Ratchet	2
7	45.060002.00	Starter Ratchet, Steel	2
8	45.060009.00	Spring Guide, Ratchet	1
9	45.060007.00	Ratchet Guide	1
10	45.060008.00	Screw, Ratchet Guide	1
11	1.5789.0612.1	Flange Bolt M6 × 12	6
12	26.080100.00.48	Fan Cover, Yellow	1
13	2.05.009	Clamp Ø12.5 × 7	2
14	23.061006.01	Handle, Recoil, Soft	1
15	2.02.006	Nut M14 × 1.5	1
16	23.060001.01	Pulley, Starter	1
17	23.080001.00	Cooling Fan	1
18	24.120100.12	Flywheel	1
19	2.11.001	Oil Seal Ø25 × Ø41.3 × 6	2
20	2.03.020.1	Washer Ø6.2 × Ø15 × 0.5, Black	2
21	21.110100.00	Gear, Governor	1
22	21.110013.00	Shaft, Governor Gear	1
23	21.110011.00	Clip, Governor Gear	1
24	21.110012.01	Bushing, Governor Gear	1
25	26.080600.00	Air Guide, Right	1
26	2.08.037	Drain Bolt M10 × 1.25 × 25	2
27	2.03.016	Washer Ø10 × Ø16 × 1.5, Drain Bolt	3
28	27.030100.04	Crankcase	1
29	27.050200.00	Connecting Rod	1
30	27.050100.02	Crankshaft	1
31	1.276.6205.5	Bearing 6205 C5	2
32	24.030008.00	Gasket, Crankcase Cover	1
33	22.031000.00.48	Oil Dipstick Assembly, Yellow	1
34	24.030007.00	Cover, Crankcase	1
35	1.5789.0832.0.8	Flange Bolt M8 × 32	6
36	22.031000.01.48	Oil Filler Cap, Yellow	1
37	23.110005.01	Spring, Throttle Return	1

#	Part Number	Description	Qty.
38	27.110003.00	Arm, Governor	1
39	1.6177.06	Flange Nut M6	1
40	2.03.021.1	Washer Ø6.4 × Ø13 × 1, Black	1
41	21.110001.00	Shaft, Governor Arm	1
42	26.123000.00	Ignition Coil	1
43	1.5789.0625	Flange Bolt M6 × 25	2
44	23.110006.00	Rod, Governor	1
45	27.110007.01	Spring, Governor	1
46	2.08.040	Bolt M6 × 21, Governor Arm	1
47	21.110008.00	Pin, Shaft	1
48	24.111008.01.48	Grip Sheath, Speed Governor, Yellow	1
49	1.5789.0612	Flange Bolt M6 × 12	2
50	26.111000.00	Control Assembly	1
51	1.6177.1.04.2	Flange Nut M4	1
52	26.120006.00	Insulation Board	1
53	25.040013.00	Lifter, Valve	2
54	2.04.001	Dowel Pin Ø9 × 14	2
55	27.041000.01	Camshaft	1
56	2.14.012	Woodruff Key 4 × 7.5 × 19	1
57	27.050005.00	Piston	1
58	23.050003.00	Pin, Piston	1
59	2.09.001	Circlip Ø18 × Ø1	2
60	27.050303.00	Ring, Oil	1
61	27.050302.00	Ring, Second Piston	1
62	27.050301.00	Ring, First Piston	1
63	27.030009.01	Gasket, Cylinder Head	1
64	2.04.003	Dowel Pin Ø10 × 14	2
65	23.040002.02	Valve, Intake	1
66	23.040006.02	Valve, Exhaust	1
67	26.080400.00	Air Guide, Lower	1
68	2.15.002(F6RTC)	Spark Plug F6RTC	1
69	1.5789.0865	Flange Bolt M8 × 65	3
70	23.040017.00	Oil Seal, Valve	2
71	21.040003.00	Spring, Valve	2
72	21.040007.00	Retainer, Exhaust Valve Spring	1
73	21.040001.00	Retainer, Intake Valve Spring	1
74	21.040008.00	Rotator, Exhaust Valve	1
75	24.040202.00	Shaft, Rocker Arm	1

#	Part Number	Description	Qty.
76	22.040009.00	Rocker Arm	2
77	22.040012.00	Screw, Valve Adjustment	2
78	21.040021.00	Nut M6 × 0.5, Lock	2
79	1.97.1.06	Washer Ø6	2
80	1.6177.1.06	Flange Nut M6	2
81	24.040201.00	Retainer, Rocker Arm	1
82	23.040010.00	Bolt, Rocker Arm	2
83	24.040004.00	Guide Plate, Push Rod	1
84	27.040005.00	Push Rod	2
85	21.020002.01	Gasket, Cylinder Head Cover	1
86	24.021000.01	Cover, Cylinder Head	1
87	23.020001.03	Breather Tube	1
88	1.5789.0615	Flange Bolt M6 × 15	4
89	2.01.010	Stud Bolt M8 × 35	2
90	26.100001.00	Gasket, Exhaust Pipe	1
91	24.101000.07.2	Muffler Assembly	1
92	1.6175.08	Nut M8	2
93	1.848.08	Washer Ø8	2
94	1.93.08	Lock Washer Ø8	2
95	1.5789.0625	Flange Bolt M6 × 25	1
96	2.04.005	Dowel Pin Ø8 × 10	2
97	1.823.0455.1	Bolt M4 × 55	2
98	26.125000.00	Starter Motor Assembly	1
99	2.08.121	Flange Bolt M10 × 65	1
100	26.010100.01	Cylinder Head	1
101	2.01.039	Stud Bolt M6 × 110	2
102	24.130002.00	Gasket, Insulator	1
103	23.130001.00	Insulator, Carburetor	1
104	22.130003.00	Gasket, Carburetor	1
105	27.131000.16	Carburetor	1
106	24.130004.20	Gasket, Air Cleaner	1
107	26.091300.00	Element, Air Cleaner	1
108	26.091000.00	Air Cleaner Assembly	1
109	26.120200.00.3	Ignition Switch, Red	1
110	1.6177.1.06.1	Flange Nut M6	3
111	26.070100.00	Cap, Fuel Tank	1
112	26.071000.00.1	Fuel Tank	1
113	26.128300.00.2	Switch Support	1
114	111.070300.01	Fuel Filter, Fuel Pipe	1
115	2.06.027	Clamp Ø12 × b8	2
116	24.070011.02	Pipe, Ø6.35 × Ø12.7 × 320	1
117	26.070010.00	Veil, Fuel Tank	1

#	Part Number	Description	Qty.
118	26.080011.00.2	Protective Cover, Cylinder Head	1
119	26.080012.00.2	Protective Cover, Spark Plug	1
120	26.120005.00	Flame Sheet	1
121	5.1900.099	Change Wire flameout	1
122	1.9074.4.0414.2	Screw/Washer Assembly M4 × 14	2
123	1.5789.0608	Flange Bolt M6 × 8	2
124	2.06.046	Clamp Ø12 × Ø1	1
125	26.061000.00	Recoil Assembly	1
126	27.131017.16	Standard Main Jet	1
	27.131017.16.01	Altitude Main Jet	/
127	1.93.06	Lock Washer Ø6	4
128	1.5789.0633	Flange Bolt M6 × 33	1
129	21.130004.00	Gasket, Air Cleaner	1
130	1.5789.0620.1	Flange Bolt M6 × 20	3
131	1.5789.0615.1	Flange Bolt M6 × 15	5
132	24.032000.01	Hose, Oil Drain	1
133	1.5789.0629	Flange Bolt M6 × 29	1
134	2.05.005	Clamp Ø6 × 6.5	2
135	1.97.1.06.1	Washer Ø6	4

TROUBLESHOOTING

Problem	Cause	Solution
Engine fails to start.	Engine flooded.	Repeat start attempts with throttle choke OFF.
	Water in fuel.	Drain tank and refill with fresh fuel.
	Other.	Check carefully the start procedure according to this manual.
Engine starts hard or runs poorly.	Spark plug issues.	Replace the spark plug.
	Fuel cap ventilation is blocked.	Clear the ventilation.
Auger does not rotate.	Foreign material caught in system.	Clean.
	Auger drive belt slipping.	Adjust the belt and wire.
	Auger drive belt broken.	Replace the belt.
	Auger control cable is out of adjustment.	See ADJUSTING AUGER CONTROL CABLE section.
Auger does not stop when the lever is released.	Auger drive belt is out of adjustment.	Adjust the belt.
	Auger drive guide is out of adjustment.	Adjust the guide.
	Auger control cable is out of adjustment.	See ADJUSTING AUGER CONTROL CABLE section.
Snowblower veers to one side.	Tire pressure not equal.	Adjust the tire pressure.
	Wheel spring lock pin is inserted on one side.	Check the wheel locks.
	Shoes are mounted unevenly.	Adjust shoes.
	Scraper blade uneven adjusted.	Adjust scraper blade and shoes.
Snowblower does not drive.	Drive cable out of adjustment.	Adjust drive cable. See ADJUSTING SELF-DRIVE CONTROL HANDLE CABLE section.
	Traction belt worn/broken.	Replace traction drive belt. See REPLACE TRACTION DRIVE BELT section.
	Friction disc worn out.	Repair or replace friction disc. See REPAIR OR REPLACE FRICTION DISC section.

For further technical support:

Technical Support Team
 Mon-Fri 8:30 AM-5:00 PM (PST/PDT)
 Toll Free 1-877-338-0999
support@championpowerequipment.com

WARRANTY

WARRANTY*

CHAMPION POWER EQUIPMENT
2 YEAR LIMITED WARRANTY

Warranty Qualifications

Champion Power Equipment (CPE) will register this warranty upon receipt of your Warranty Registration Card and a copy of your sales receipt from one of CPE's retail locations as proof of purchase. Please submit your warranty registration and your proof of purchase within ten (10) days of the date of purchase.

Repair/Replacement Warranty

CPE warrants to the original purchaser that the mechanical and electrical components will be free of defects in material and workmanship for a period of two years (parts and labor) from the original date of purchase and 180 days (parts and labor) for commercial and industrial use. Transportation charges on product submitted for repair or replacement under this warranty are the sole responsibility of the purchaser. This warranty only applies to the original purchaser and is not transferable.

Do Not Return The Unit To The Place Of Purchase

Contact CPE's Technical Service and CPE will troubleshoot any issue via phone or e-mail. If the problem is not corrected by this method, CPE will, at its option, authorize evaluation, repair or replacement of the defective part or component at a CPE Service Center. CPE will provide you with a case number for warranty service. Please keep it for future reference. Repairs or replacements without prior authorization, or at an unauthorized repair facility, will not be covered by this warranty.

Warranty Exclusions

This warranty does not cover the following repairs and equipment:

Normal Wear

Products with mechanical and electrical components need periodic parts and service to perform well. This warranty does not cover repair when normal use has exhausted the life of a part or the equipment as a whole.

Installation, Use and Maintenance

This warranty will not apply to parts and/or labor if the product is deemed to have been misused, neglected, involved in an accident, abused, loaded beyond the product's limits, modified, installed improperly or connected incorrectly to any electrical component. Normal maintenance is not covered by this warranty and is not required to be performed at a facility or by a person authorized by CPE.

Other Exclusions

This warranty excludes:

- Cosmetic defects such as paint, decals, etc.
- Wear items such as filter elements, o-rings, etc.
- Accessory parts such as starting batteries, and storage covers.
- Failures due to acts of God and other force majeure events beyond the manufacturer's control.
- Problems caused by parts that are not original Champion Power Equipment parts.

When applicable, this warranty does not apply to products used for prime power in place of a utility.

Limits of Implied Warranty and Consequential Damage

Champion Power Equipment disclaims any obligation to cover any loss of time, use of this product, freight, or any incidental or consequential claim by anyone from using this product. THIS WARRANTY AND THE ATTACHED U.S. EPA, CARB and/or ECCC EMISSION CONTROL SYSTEM WARRANTIES (WHEN APPLICABLE) ARE IN LIEU OF ALL OTHER WARRANTIES, EXPRESS OR IMPLIED, INCLUDING WARRANTIES OF MERCHANTABILITY OR FITNESS FOR A PARTICULAR PURPOSE.

A unit provided as an exchange will be subject to the warranty of the original unit. The length of the warranty governing the exchanged unit will remain calculated by reference to the purchase date of the original unit.

This warranty gives you certain legal rights which may change from state to state or province to province. Your state or province may also have other rights you may be entitled to that are not listed within this warranty.

Contact Information

Address

Champion Power Equipment, Inc.
Customer Service
12039 Smith Ave.
Santa Fe Springs, CA 90670 USA
www.championpowerequipment.com

Customer Service

Mon – Fri 8:30 AM – 5:00 PM (PST/PDT)
Toll Free: 1-877-338-0999
info@championpowerequipment.com
Fax no.: 1-562-236-9429

Technical Service

Mon – Fri 8:30 AM – 5:00 PM (PST/PDT)
Toll Free: 1-877-338-0999
tech@championpowerequipment.com
24/7 Tech Support: 1-562-204-1188

*Except as otherwise stipulated in any of the following enclosed Emission Control System Warranties (when applicable) for the Emission Control System: U.S. Environment Protection Agency (EPA), California Air Resources Board (CARB) and/or Environment and Climate Change Canada (ECCC).

**Champion Power Equipment, Inc. (CPE),
United States Environment Protection Agency (U.S. EPA)
Emission Control System Warranty**

Your Champion Power Equipment (CPE) engine complies with U.S. EPA emission regulations.

YOUR WARRANTY RIGHTS AND OBLIGATIONS:

The US EPA AND CPE are pleased to explain the Federal Emission Control Systems Warranty on your 2017 small off-road engine and engine powered equipment. New engines and equipment must be designed, built and equipped, at the time of sale, to meet U.S. EPA regulations for small non-road engines. CPE warrants the emission control system on your small off-road engine and equipment for the period of time listed below, provided there has been no abuse, neglect, unapproved modification, or improper maintenance of your equipment.

Your emission control system may include parts such as the carburetor, fuel-injection system, the ignition system, catalytic converter and fuel lines. Also included may be hoses, belts, connectors and other emission related assemblies. Where a warrantable condition exists, CPE will repair your small off-road engine at no cost to you including diagnosis, parts and labor.

MANUFACTURER'S EMISSION CONTROL SYSTEM WARRANTY COVERAGE:

This emission control system is warranted for two years, subject to provisions set forth below. If, during the warranty period, emission related part on your engine is defective in materials or workmanship, the part will be repaired or replaced by CPE.

OWNER WARRANTY RESPONSIBILITIES:

As the small off-road engine owner, you are responsible for the performance of the required maintenance listed in your Owner's Manual. CPE recommends that you retain all your receipts covering maintenance on your small off-road engine, but CPE cannot deny warranty solely for the lack of receipts or for your failure to ensure the performance of all scheduled maintenance.

As the small off-road engine owner, you should however be aware that CPE may deny you warranty coverage if your small, off-road engine or a part has failed due to abuse, neglect, improper maintenance or unapproved modifications.

You are responsible for presenting your small off-road engine to an Authorized CPE service outlet or alternate service outlet as described in (3)(f.) below, CPE dealer or CPE, Santa Fe Springs, Ca. as soon as a problem exists. The warranty repairs should be completed in a reasonable amount of time, not to exceed 30 days.

If you have any questions regarding your warranty rights and responsibilities, you should contact:

Champion Power Equipment, Inc.
Customer Service
12039 Smith Ave.
Santa Fe Springs, CA 90670
1-877-338-0999
tech@championpowerequipment.com

EMISSION CONTROL SYSTEM WARRANTY

The following are specific provisions relative to your Emission Control System (ECS) Warranty Coverage.

1. APPLICABILITY: This warranty shall apply to 1997 and later model year small off-road engines. The ECS Warranty Period shall begin on the date the new engine or equipment is delivered to its original, end-use purchaser, and shall continue for 24 consecutive months thereafter.

2. GENERAL EMISSIONS WARRANTY COVERAGE

CPE warrants to the original, end-use purchaser of the new engine or equipment and to each subsequent purchaser that each of its small off-road engines is:

- a. Designed, built and equipped so as to conform to U.S. EPA emissions standards for spark-ignited engines at or below 19 kilowatts.
- b. Free from defects in materials and workmanship that cause the failure of a warranted part to be identical in all material respects to the part as described in the engine manufacturer's application for certification for a period of two years.

3. THE WARRANTY ON EMISSION-RELATED PARTS WILL BE INTERPRETED AS FOLLOWS:

a. Any warranted part that is not scheduled for replacement as required maintenance in the Owners Manual shall be warranted for the ECS Warranty Period. If any such part fails during the ECS Warranty Period, it shall be repaired or replaced by CPE according to Subsection "d" below. Any such part repaired or replaced under the ECS Warranty shall be warranted for any remainder of the ECS Warranty Period.

b. Any warranted, emissions-related part which is scheduled only for regular inspection as specified in the Owners Manual shall be warranted for the ECS Warranty Period. A statement in such written instructions to the effect of "repair or replace as necessary", shall not reduce the ECS Warranty Period. Any such part repaired or replaced under the ECS Warranty shall be warranted for the remainder of the ECS Warranty Period.

c. Any warranted, emissions-related part which is scheduled for replacement as required maintenance in the Owner's Manual shall be warranted for the period of time prior to the first scheduled replacement point for that part. If the part fails prior to the first scheduled replacement, the part shall be repaired or replaced by CPE according to Subsection "d" below. Any such emissions-related part repaired or replaced under the ECS Warranty, shall be warranted for the remainder of the ECS Warranty Period prior to the first scheduled replacement point for such emissions-related part.

d. Repair or replacement of any warranted, emissions-related part under this ECS Warranty shall be performed at no charge to the owner at a CPE Authorized Service Outlet.

e. The owner shall not be charged for diagnostic labor which leads to the determination that a part covered by the ECS Warranty is in fact defective, provided that such diagnostic work is performed at a CPE Authorized Service Outlet.

f. CPE shall pay for covered emissions warranty repairs at non-authorized service outlets under the following circumstances:

i. The service is required in a population center with a population over 100,000 according to U.S. Census 2000 without a CPE Authorized Service Outlet AND

ii. The service is required more than 100 miles from a CPE Authorized Service Outlet. The 100 mile limitation does not apply in the following states: Alaska, Arizona, Colorado, Hawaii, Idaho, Montana, Nebraska, Nevada, New Mexico, Oregon, Texas, Utah and Wyoming.

g. CPE shall be liable for damages to other original engine components or approved modifications proximately caused by a failure under warranty of an emission-related part covered by the ECS Warranty.

h. Throughout the ECS Warranty Period, CPE shall maintain a supply of warranted emission-related parts sufficient to meet the expected demand for such emission-related parts.

i. Any CPE Authorized and approved emission-related replacement part may be used in the performance of any ECS Warranty maintenance or repair and will be provided without charge to the owner. Such use shall not reduce CPE's warranty obligation.

j. Unapproved add-on or modified parts may not be used to modify or repair a CPE engine. Such use voids this ECS Warranty and shall be sufficient grounds for disallowing an ECS Warranty claim. CPE shall not be liable hereunder for failures of any warranted parts of a CPE engine caused by the use of such an unapproved add-on or modified part.

EMISSION-RELATED PARTS INCLUDE THE FOLLOWING: (using those portions of the list applicable to the engine)

Systems covered by this warranty	Parts Description
Fuel Metering System	Fuel regulator, Carburetor and internal parts
Air Induction System	Air cleaner, Intake manifold
Ignition System	Spark plug and parts, Magneto ignition system
Exhaust System	Exhaust manifold, catalytic converter
Miscellaneous Parts	Tubing, Fittings, Seals, Gaskets, and Clamps associated with these listed systems.
Evaporative Emissions	Fuel Tank, Fuel Cap, Fuel Line, Fuel Line Fittings, Clamps, Pressure Relief Valves, Control Valves, Control Solenoids, Electronic Controls, Vacuum Control Diaphragms, Control Cables, Control Linkages, Purge Valves, Vapor Hoses, Liquid/Vapor Separator, Carbon Canister, Canister Mounting Brackets, Carburetor Purge Port Connector

TO OBTAIN WARRANTY SERVICE:

You must take your CPE engine or the product on which it is installed, along with your warranty registration card or other proof of original purchase date, at your expense, to any Champion Power Equipment dealer who is authorized by Champion Power Equipment, Inc. to sell and service that CPE product during his normal business hours. Alternate service locations defined in Section (3)(f.) above must be approved by CPE prior to service. Claims for repair or adjustment found to be caused solely by defects in material or workmanship will not be denied because the engine was not properly maintained and used.

If you have any questions regarding your warranty rights and responsibilities, or to obtain warranty service, please write or call Customer Service at Champion Power Equipment, Inc.

**Champion Power Equipment, Inc.
12039 Smith Ave.
Santa Fe Springs, CA 90670
1-877-338-0999
Attn.: Customer Service
tech@championpowerequipment.com**

**Champion Power Equipment, Inc (CPE) and Environment and Climate Change Canada (ECCC)
Emission Control System Warranty**

Your Champion Power Equipment (CPE) engine complies with Environment and Climate Change Canada (ECCC) emission regulations.

YOUR WARRANTY RIGHTS AND OBLIGATIONS:

CPE is pleased to explain the Emission Control Systems Warranty on your 2017 small off-road engine. New engines must be designed, built and equipped, at the time of sale, to meet ECCC regulations for small non-road engines. CPE must warrant the emission control system on your small off-road engine for the period of time listed below, provided there has been no abuse, neglect, unapproved modification, or improper maintenance of your small off-road engine.

Your emission control system may include parts such as the carburetor, fuel-injection system, the ignition system, catalytic converter and fuel lines. Also included may be hoses, belts, connectors and other emission related assemblies. Where a warrantable condition exists, CPE will repair your small off-road engine at no cost to you including diagnosis, parts and labour.

MANUFACTURER'S EMISSION CONTROL SYSTEM WARRANTY COVERAGE:

This emission control system is warranted for two years, subject to provisions set forth below. If, during the warranty period, emission related part on your engine is defective in materials or workmanship, the part will be repaired or replaced by CPE.

OWNER WARRANTY RESPONSIBILITIES:

As the small off-road engine owner, you are responsible for the performance of the required maintenance listed in your Owner's Manual. CPE recommends that you retain all your receipts covering maintenance on your small off-road engine, but CPE cannot deny warranty solely for the lack of receipts or for your failure to ensure the performance of all scheduled maintenance.

As the small off-road engine owner, you should however be aware that CPE may deny you warranty coverage if your small, off-road engine or a part has failed due to abuse, neglect, improper maintenance or unapproved modifications.

You are responsible for presenting your small off-road engine to an Authorized CPE service outlet, CPE dealer or CPE, Santa Fe Springs, CA., USA as soon as a problem exists. The warranty repairs should be completed in a reasonable amount of time, not to exceed 30 days.

If you have any questions regarding your warranty rights and responsibilities, you should contact:

Champion Power Equipment, Inc.
Customer Service
12039 Smith Ave.
Santa Fe Springs, CA 90670
USA
Tel: 1-877-338-0999
tech@championpowerequipment.com

EMISSION CONTROL SYSTEM WARRANTY

The following are specific provisions relative to your Emission Control System Warranty Coverage.

Emission Control System Warranty (ECS Warranty):

1. APPLICABILITY: The ECS Warranty Period shall begin on the date the new engine or equipment is delivered to its original, end-use purchaser, and shall continue for 24 consecutive months thereafter.

2. GENERAL EMISSIONS WARRANTY COVERAGE

CPE warrants to the original, end-use purchaser of the new engine or equipment and to each subsequent purchaser that each of its small off-road engines is:

a. Designed, built and equipped so as to conform at the time of sale with applicable regulations under the Canadian Environmental Protection Act, 1999 (CEPA 1999).

b. Free from defects in materials and workmanship that cause the failure of a warranted part to be identical in all material respects to the part as described in the engine manufacturer's application for certification for a period of two years.

3. THE WARRANTY ON EMISSION-RELATED PARTS WILL BE INTERPRETED AS FOLLOWS:

a. Any warranted part that is not scheduled for replacement as required maintenance in the Owners Manual shall be warranted for the ECS Warranty Period. If any such part fails during the ECS Warranty Period, it shall be repaired or replaced by CPE according to Subsection "d" below. Any such part repaired or replaced under the ECS Warranty shall be warranted for any remainder of the ECS Warranty Period.

b. Any warranted, emissions-related part which is scheduled only for regular inspection as specified in the Owners Manual shall be warranted for the ECS Warranty Period. A statement in such written instructions to the effect of "repair or replace as necessary", shall not reduce the ECS Warranty Period. Any such part repaired or replaced under the ECS Warranty shall be warranted for the remainder of the ECS Warranty Period.

c. Any warranted, emissions-related part which is scheduled for replacement as required maintenance in the Owner's Manual shall be warranted for the period of time prior to the first scheduled replacement point for that part. If the part fails prior to the first scheduled replacement, the part shall be repaired or replaced by CPE according to Subsection "d" below. Any such emissions-related part repaired or replaced under the ECS Warranty, shall be warranted for the remainder of the ECS Warranty Period prior to the first scheduled replacement point for such emissions-related part.

d. Repair or replacement of any warranted, emissions-related part under this ECS Warranty shall be performed at no charge to the owner at a CPE Authorized Service Outlet.

e. The owner shall not be charged for diagnostic labour which leads to the determination that a part covered by the ECS Warranty is in fact defective, provided that such diagnostic work is performed at a CPE Authorized Service Outlet.

f. CPE shall be liable for damages to other original engine components or approved modifications proximately caused by a failure under warranty of an emission-related part covered by the ECS Warranty.

g. Throughout the ECS Warranty Period, CPE shall maintain a supply of warranted emission-related parts sufficient to meet the expected demand for such emission-related parts.

h. Any CPE Authorized and approved emission-related replacement part may be used in the performance of any ECS Warranty maintenance or repair and will be provided without charge to the owner. Such use shall not reduce CPE's warranty obligation.

i. Unapproved add-on or modified parts may not be used to modify or repair a CPE engine. Such use voids this ECS Warranty and shall be sufficient grounds for disallowing an ECS Warranty claim. CPE shall not be liable hereunder for failures of any warranted parts of a CPE engine caused by the use of such an unapproved add-on or modified part.

EMISSION-RELATED PARTS INCLUDE THE FOLLOWING: (using those portions of the list applicable to the engine)

Systems covered by this warranty	Parts description
Fuel Metering System	Fuel regulator, carburetor and internal parts
Air Induction System	Air cleaner, intake manifold
Ignition System	Spark plug and parts, magneto ignition system
Exhaust System	Exhaust manifold, catalytic converter
Miscellaneous Parts	Tubing, fittings, seals, gaskets, and clamps associated with these listed systems.
Evaporative Emissions	Fuel tank, fuel cap, fuel line, fuel line fittings, clamps, pressure relief valves, control valves, control solenoids, electronic controls, vacuum control diaphragms, control cables, control linkages, purge valves, vapour hoses, liquid/ vapour separator, carbon canister, canister mounting brackets, carburetor purge port connector

TO OBTAIN WARRANTY SERVICE:

You must take your CPE engine or the product on which it is installed, along with your warranty registration card or other proof of original purchase date, at your expense, to any Champion Power Equipment dealer who is authorized by Champion Power Equipment, Inc. to sell and service that CPE product during his normal business hours. Claims for repair or adjustment found to be caused solely by defects in material or workmanship will not be denied because the engine was not properly maintained and used.

If you have any questions regarding your warranty rights and responsibilities, or to obtain warranty service, please write or call Customer Service at Champion Power Equipment, Inc.

**Champion Power Equipment, Inc.
12039 Smith Ave.
Santa Fe Springs, CA 90670
USA
1-877-338-0999
Attn: Customer Service
tech@championpowerequipment.com**