

OPERATOR'S MANUAL

MODEL #92001I-EU
2500W PORTABLE INVERTER GENERATOR



REGISTER YOUR PRODUCT ONLINE

at championpowerequipment.co.uk



ENGLISH

SVENSKA

DEUTSCH



or visit championpowerequipment.co.uk

SAVE THESE INSTRUCTIONS. This manual contains important safety precautions which should be read and understood before operating the product. Failure to do so could result in serious injury. This manual should remain with the product.
Specifications, descriptions and illustrations in this manual are as accurate as known at the time of publication, but are subject to change without notice.
This product meets the requirements of the PGMA (Portable Generator Manufacturers' Association) standard ANSI/PGMA G300-2015 (Safety and Performance of Portable Generators).

INTRODUCTION

Congratulations on your purchase of a Champion Power Equipment (CPE) product. CPE designs, builds, and supports all of our products to strict specifications and guidelines. With proper product knowledge, safe use, and regular maintenance, this product should bring years of satisfying service.

Every effort has been made to ensure the accuracy and completeness of the information in this manual at the time of publication, and we reserve the right to change, alter and/or improve the product and this document at any time without prior notice.

CPE highly values how our products are designed, manufactured, operated, and serviced as well as providing safety to the operator and those around the generator. Therefore, it is **IMPORTANT** to review this product manual and other product materials thoroughly and be fully aware and knowledgeable of the assembly, operation, dangers and maintenance of the product before use. Fully familiarize yourself, and make sure others who plan on operating the product fully familiarize themselves too, with the proper safety and operation procedures before each use. Please always exercise common sense and always err on the side of caution when operating the product to ensure no accident, property damage, or injury occurs. We want you to continue to use and be satisfied with your CPE product for years to come.

When contacting CPE about parts and/or service, you will need to supply the complete model and serial numbers of your product. Transcribe the information found on your product's nameplate label to the table below

CPE TECHNICAL SUPPORT TEAM
MODEL NUMBER
92001i-EU
SERIAL NUMBER
DATE OF PURCHASE
PURCHASE LOCATION

SAFETY DEFINITIONS

The purpose of safety symbols is to attract your attention to possible dangers. The safety symbols, and their explanations, deserve your careful attention and understanding. The safety warnings do not by themselves eliminate any danger. The instructions or warnings they give are not substitutes for proper accident prevention measures.

⚠ DANGER

DANGER indicates a hazardous situation which, if not avoided, will result in death or serious injury.

⚠ WARNING

WARNING indicates a hazardous situation which, if not avoided, could result in death or serious injury.

⚠ CAUTION

CAUTION indicates a hazardous situation which, if not avoided, could result in minor or moderate injury.

🗨 NOTICE

NOTICE indicates information considered important, but not hazard-related (e.g., messages relating to property damage).

IMPORTANT SAFETY INSTRUCTIONS

⚠ WARNING

Cancer and Reproductive Harm – www.P65Warnings.ca.gov

⚠ DANGER

Generator exhaust contains carbon monoxide, a colorless, odorless, poisonous gas. Breathing carbon monoxide will cause nausea, dizziness, fainting or death. If you start to feel dizzy or weak, get to fresh air immediately.

OPERATE GENERATOR OUTDOORS ONLY IN A WELL VENTILATED AREA AND POINT EXHAUST AWAY.

DO NOT operate the generator inside any building, including garages, basements, crawlspaces and sheds, enclosure or compartment, including the generator compartment of a recreational vehicle.

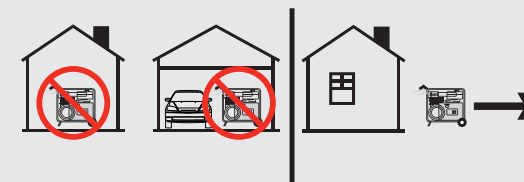
DO NOT allow exhaust fumes to enter a confined area through windows, doors, vents or other openings.

⚠ DANGER

Using a generator indoors **CAN KILL YOU IN MINUTES.** Generator exhaust contains carbon monoxide. This is a poison you cannot see or smell.

NEVER use inside a home or garage, **EVEN IF** doors and windows are open.

ONLY use **OUTSIDE** and far away from windows, doors, and vents.



Install battery-operated carbon monoxide alarms or plug-in carbon monoxide alarms with battery back-up according to the manufacturer's instructions.

⚠ WARNING

Although the generator contains a spark arrester, maintain a minimum distance of 5 ft. (1.5 m) from dry vegetation to prevent fires.

⚠ DANGER

Operate equipment with guards in place.

Rotating parts can entangle hands, feet, hair, clothing and/or accessories. Traumatic amputation or severe laceration can result.

Keep hands and feet away from rotating parts.

Tie up long hair and remove jewelry.

DO NOT wear loose-fitting clothing, dangling drawstrings or items that could become caught.

⚠ DANGER

Generator produces powerful voltage.

DO NOT touch bare wires or receptacles.

DO NOT use electrical cords that are worn, damaged or frayed. Use only Champion electrical cords for proper application.

DO NOT operate generator in wet weather.

DO NOT allow children or unqualified persons to operate or service the generator.

Use a ground fault circuit interrupter (GFCI) in damp areas and areas containing conductive material such as metal decking.

Connection to your home's electrical system requires a listed 30A transfer switch installed by a licensed electrician and approved by the local authority having jurisdiction. The connection must isolate the generator from the utility power and must comply with all applicable laws and electrical codes.

⚠ WARNING

Do not use generator for medical and life support uses.

In case of emergency, call 911 immediately.

NEVER use this product to power life support devices or life support appliances.

NEVER use this product to power medical devices or medical appliances.

Inform your electricity provider immediately if you or anyone in your household depends on electrical equipment to live.

Inform your electrical provider immediately if a loss of power would cause you or anyone in your household to experience a medical emergency.

⚠ WARNING

Spark from removed spark plug wire can result in fire or electrical shock.

When servicing the generator:

Disconnect the spark plug wire and place it where it cannot contact the plug or any other metal object.

DO NOT check for spark with the plug removed.

Use only approved spark plug testers.

⚠ WARNING

Running engines produce heat. Severe burns can occur on contact. Combustible material can catch fire on contact.

DO NOT touch hot surfaces.

Avoid contact with hot exhaust gases.

Allow equipment to cool before touching.

Maintain at least 3 ft. (91.4 cm) of clearance on all sides to ensure adequate cooling.

Maintain at least 5 ft. (1.5 m) of clearance from combustible materials.

⚠ WARNING

Rapid retraction of the recoil cord will pull hand and arm towards the engine faster than you can let go. Unintentional startup can result in entanglement, traumatic amputation or laceration. Broken bones, fractures, bruises or sprains could result.

When starting engine, pull the recoil cord slowly until resistance is felt and then pull rapidly to avoid kickback.

DO NOT start or stop the engine with electrical devices plugged in and turned on.

⚠ CAUTION

Exceeding the generator's running capacity can damage the generator and/or electrical devices connected to it.

DO NOT overload the generator.

DO NOT tamper with the governed speed.

DO NOT modify the generator in any way.

⚠ CAUTION

Start the generator and allow the engine to stabilize before connecting electrical loads.

Connect electrical equipment in the off position, and then turn them on for operation.

Turn electrical equipment off and disconnect before stopping the generator.

⚠ CAUTION

Improper treatment or use of the generator can damage it, shorten its life or void the warranty.

Use the generator only for intended uses.

Operate only on level surfaces.

DO NOT expose generator to excessive moisture, dust, or dirt.

DO NOT allow any material to block the cooling slots.

If connected devices overheat, turn them off and disconnect them from the generator.

DO NOT use the generator if:

- Electrical output is lost
- Equipment sparks, smokes or emits flames
- Equipment vibrates excessively

Fuel Safety**⚠ DANGER**

GASOLINE AND GASOLINE VAPORS ARE HIGHLY FLAMMABLE AND EXPLOSIVE.

Fire or explosion can cause severe burns or death.

Gasoline and gasoline vapors:

- Gasoline is highly flammable and explosive.
- Gasoline can cause a fire or explosion if ignited.
- Gasoline is a liquid fuel but its vapors can ignite.
- Gasoline is a skin irritant and needs to be cleaned up immediately if spilled on skin or clothes.
- Gasoline has a distinctive odor, this will help detect potential leaks quickly.
- Gasoline expands or contracts with ambient temperatures. Never fill the gasoline tank to full capacity, as gasoline needs room to expand when temperatures rise.
- In the case of any petroleum gasoline fire, flames should never be extinguished unless the fuel supply valve can be turned OFF. By not doing so, if a fire is extinguished and the supply of fuel is not turned OFF, an explosion hazard could be created.

When adding or removing gasoline:

DO NOT light or smoke cigarettes.

Always turn the generator off and let cool for a minimum of two minutes before removing the gasoline cap. Afterwards, loosen gasoline cap to relieve pressure from the gasoline tank.

Only fill or drain gasoline outdoors in a well-ventilated area.

DO NOT pump gasoline directly into the generator at the gas station. Always use an approved fuel container to transfer the gasoline to the generator.

DO NOT overfill the gasoline tank.

Always keep gasoline away from sparks, open flames, pilot lights, heat and other sources of ignition.

When starting the generator:

DO NOT attempt to start a damaged generator.

Always make certain that the gasoline cap, air filter, spark plug, fuel lines and exhaust system are properly secured, connected and in place.

Always allow spilled gasoline to evaporate fully before attempting to start the engine.

Make certain that the generator is resting firmly on level ground.

When operating the generator:

DO NOT move or tip the generator during operation.

DO NOT tip the generator or allow fuel or oil to spill.

When transporting or servicing the generator:

Make certain that the fuel valve is in the OFF position and the gasoline tank is empty.

Disconnect the spark plug wire.

When storing the generator:

Store away from sparks, open flames, pilot lights, heat and other sources of ignition.

Do not store generator or gasoline near furnaces, water heaters, or any other appliances that produce heat or have automatic ignitions.







⚠ WARNING






Never use a gasoline container, gasoline tank, or any other fuel item that is broken, cut, torn or damaged.

EN

Operation Symbols

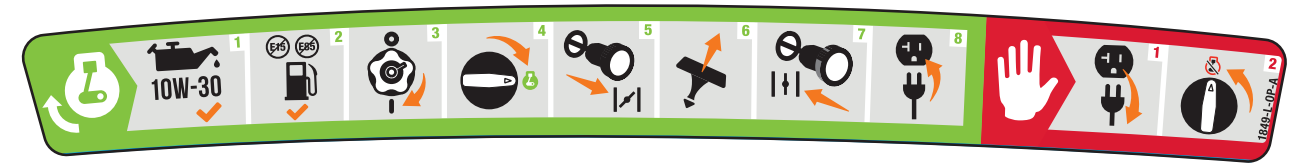
Some of the following symbols may be used on this product. Please study them and learn their meaning. Proper interpretation of these symbols will allow you to more safely operate the product.

SYMBOL	MEANING
	ON
	STOP or OFF
	Choke. Pull choke knob to "CHOKE" position.
	Run. Push choke knob to "RUN" position.
	12V Direct Current
	Circuit Breaker Reset: Push

SYMBOL	MEANING
	Parallel Connection(s)
	Ground Terminal
	Overload Reset Switch
	Low Oil
	Economy Mode Switch

Quickstart Label Symbols

Some of the following symbols may be used on this product. Please study them and learn their meaning. Proper interpretation of these symbols will allow you to more safely operate the product.



Starting the Engine

⚠ DANGER

Move generator outside and far away from windows, doors and intake ventilation covers.

- Check oil level.**
Recommended oil is 10W-30.
- Check gasoline level.**
When adding gasoline, use a minimum octane rating of 85 and an ethanol content of 10% or less by volume.
- Turn the fuel cap vent lever to the **"ON"** position.
- Turn the fuel dial clockwise to the full **"ON"** position.
- Pull choke knob to **"CHOKE"** position.
- Pull the recoil cord.
- Push the choke knob to **"RUN"** position.
- Plug in desired device.

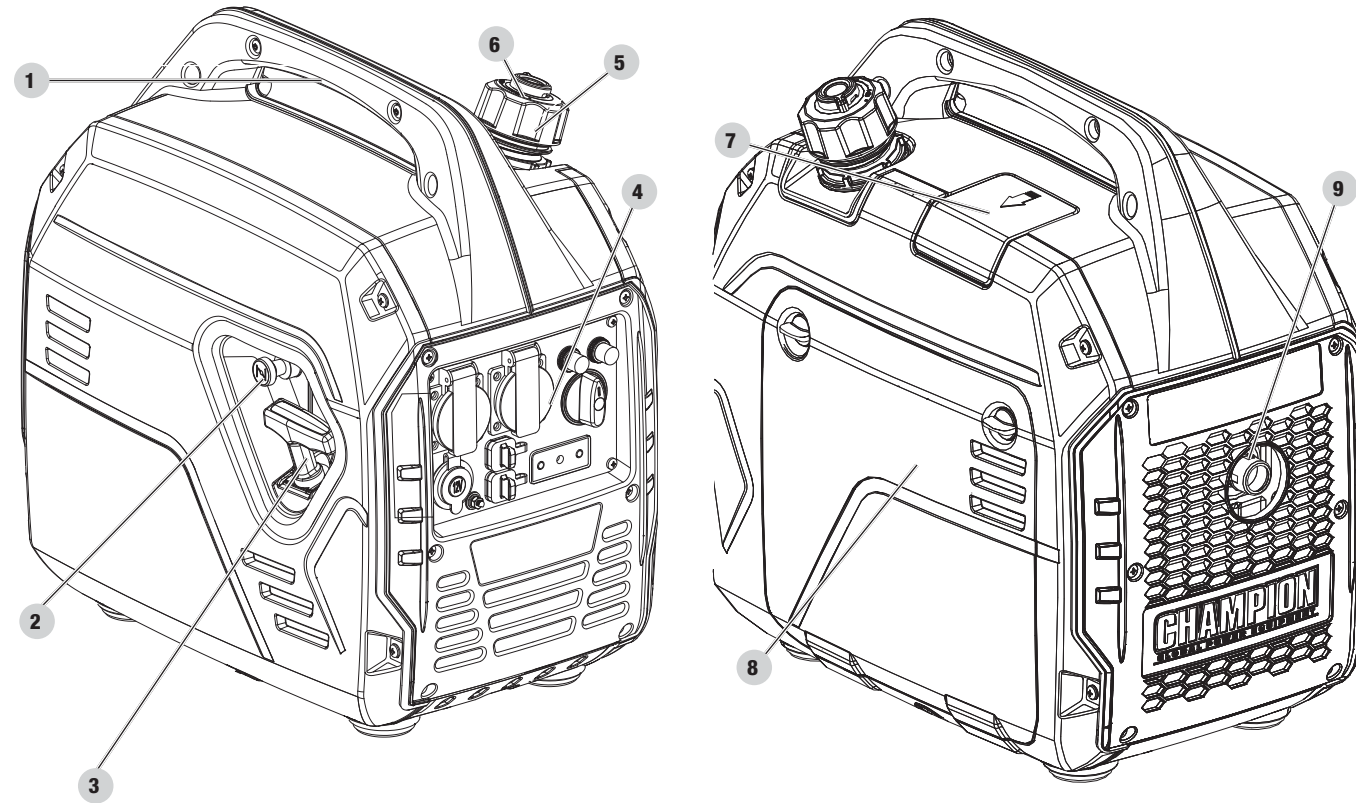
Stopping the Engine

- Turn off and unplug all connected electrical loads.
- Turn the fuel dial to the **"STOP"** position.

CONTROLS AND FEATURES

Read this operator's manual before operating your generator. Familiarize yourself with the location and function of the controls and features. Save this manual for future reference.

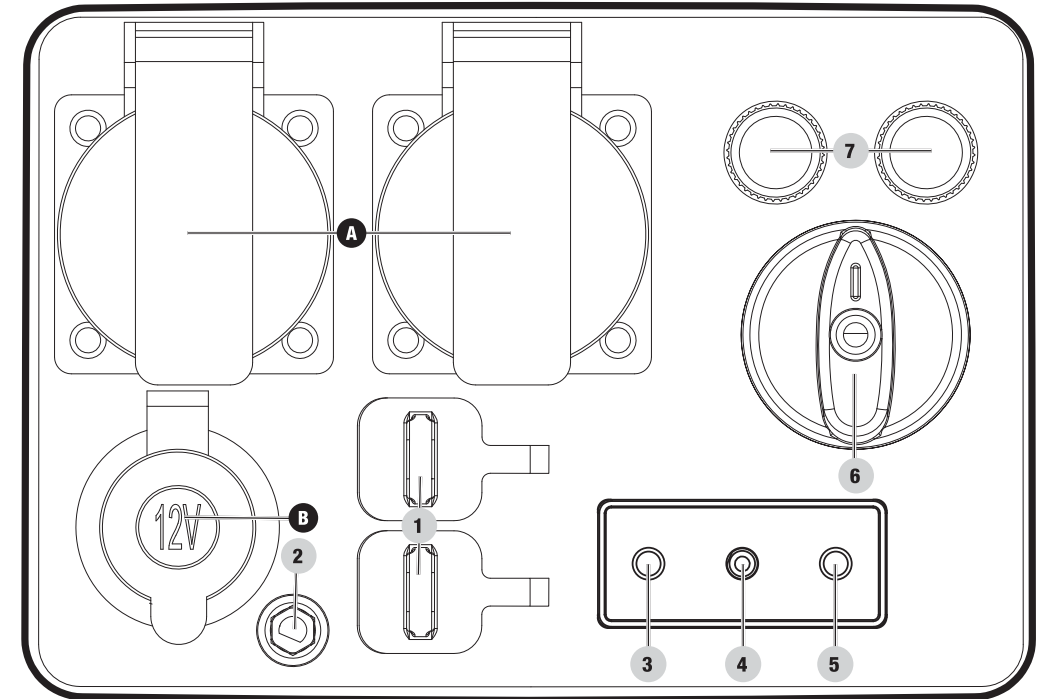
Generator





1. **Carrying Handle** – Used to lift or carry the unit.
2. **Choke** – Used to start a cold engine.
3. **Recoil Starter** – Used to manually start the engine
4. **Control Panel** – See *Control Panel* section.
5. **Fuel Cap** – Remove to add fuel.

6. **Fuel Lever Vent** – Turn this valve to the “ON” position to supply air to the tank.
7. **Spark Plug Access Cover**
8. **Maintenance Cover**
9. **Muffler**

Control Panel



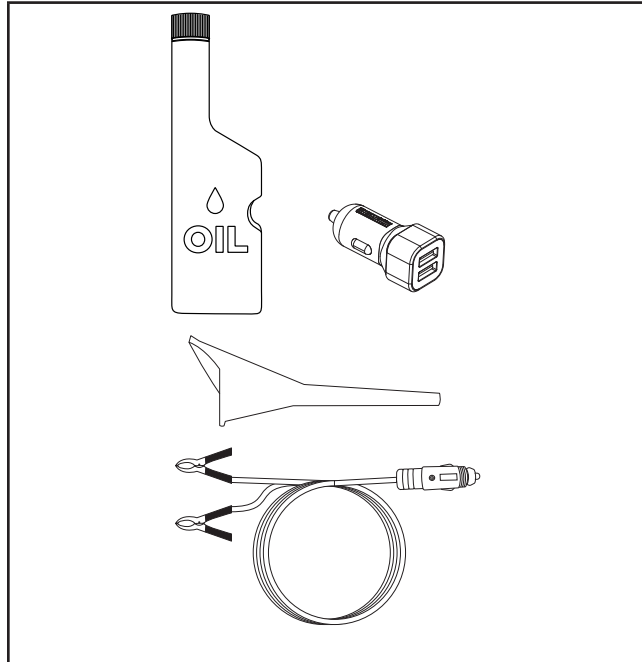
1. **Parallel Outlets** – Used for parallel operation (parallel kit sold separately).
2. **Ground Terminal** – Consult an electrician for local grounding regulations.
3. **AC Output Indicator Button** – Indicates when power is being delivered to receptacle.
 - 3a. Green – Systems Normal.
 - 3b. Red Constant– Overload Warning.
 - 3c. Red Flash– Overload Fault. Push to reset.
4. **Oil Warning Indicator Light** – When ON engine will shut down and not run. Check oil level.
5. **Economy Mode Button** – Enables/disables automatic idle control.
 - 5a. OFF – Economy Mode is OFF.
 - 5b. Green – Economy Mode is ON.
6. **Fuel Dial** – Used to start and stop the generator.
7. **Circuit Breakers (Push Reset)** – Protects the generator against electrical overloads.

RECEPTACLES	
A	 <p>(2x) 220V AC, 8.6A May be used to supply electrical power for operation of 220 Volt AC, 16 Amp, single phase, 50 Hz electrical loads.</p>
B	 <p>12V DC, 8A (Automotive) May be used to supply electrical power for operation of 12 Volt DC, 8 Amp electrical loads.</p>

Parts Included

Accessories

- Engine Oil 16.9 fl. oz. (0.5 qt.)
- Oil Funnel 1
- Dual Port USB Adapter (5v/2.4A) 1
- Battery Charging Cables 1



ASSEMBLY

Your generator requires some assembly. This unit ships from our factory without oil. It must be properly serviced with fuel and oil before operation.

If you have any questions regarding the assembly of your generator, call our Technical Support Team at +44 (0)1942 715 407. Please have your serial number and model number available.

Unpacking

1. Set the shipping carton on a solid, flat surface.
2. Remove everything from the carton except the generator.
3. Using the carrying handles of the unit, carefully remove the generator from the box (two people lifting is recommended).

Add Engine Oil

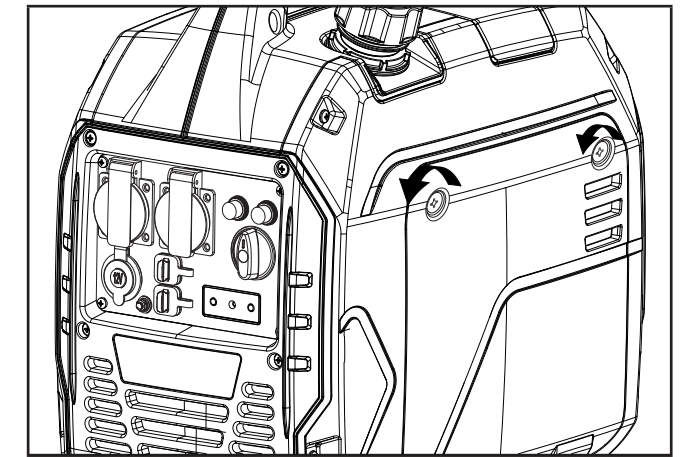
CAUTION
DO NOT attempt to crank or start the engine before it has been properly filled with the recommended type and amount of oil. Damage to the generator as a result of failing to follow these instructions will void your warranty.

NOTICE
The generator rotor has a sealed, pre-lubricated ball bearing that requires no additional lubrication for the life of the bearing.

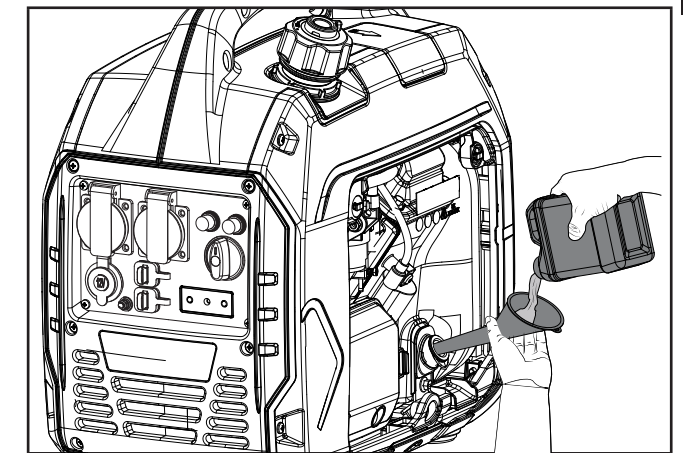
NOTICE
The recommended oil type for typical use is **10W-30 automotive oil**.
If running generator in extreme temperatures, refer to the following chart for recommended oil type.

Recommended Oil Type / Tipo de aceite recomendado / Type d'huile recommandé								
		10W-30						
	5W-30			10W-40				
	5W-30 Synthetic / Sintético / Synthétique							
°F	-20	0	20	40	60	80	100	120
°C	-28.9	-17.8	-6.7	4.4	15.6	26.7	37.8	48.9
	Ambient temperature / Temperatura ambiente / Température ambiante							

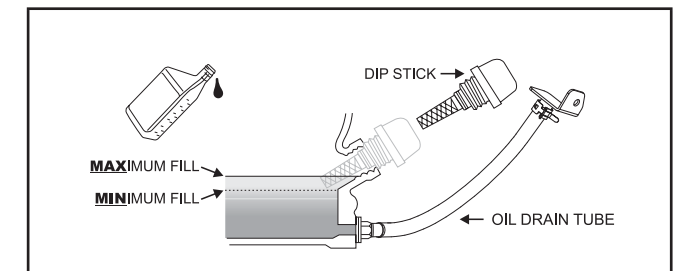
1. Place the generator on a flat, level surface.
2. Loosen the cover screws and remove the maintenance cover.



3. Remove oil fill cap/dipstick to add oil.
4. Using a funnel, add up to 16.9 fl. oz. (0.5 qt.) of oil (included) and replace oil fill cap/dipstick. **DO NOT OVERFILL.**



5. Check engine oil level daily and add as needed.



NOTICE
Once oil has been added, a visual check should show oil about 1-2 threads from running out of the fill hole.
When using the dipstick to check oil level, **DO NOT** screw in the dipstick while checking.

NOTICE

Check oil level often during the break-in period. Refer to the Maintenance section for recommended service intervals.

CAUTION

This engine is equipped with a low oil shut-off and will stop when the oil level in the crankcase falls below the threshold level.


NOTICE

The first 5 hours of run time are the break-in period for the unit. During the break in period stay at or below 50% of the running watt rating and vary the load occasionally to allow stator windings to heat and cool. Adjusting the load will also cause engine speed to vary slightly and help seat piston rings. After the 5 hour break-in period, change the oil.

NOTICE

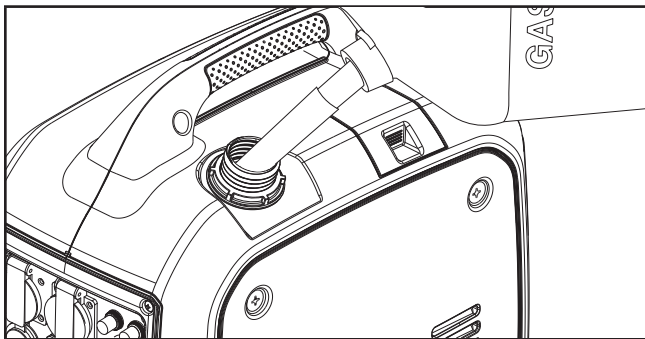
Synthetic oil may be used after the 5 hour initial break-in period. Using synthetic oil does not increase the recommended oil change interval. Full synthetic 5W-30 oil will aid in starting in cold ambient < 41° F (5° C) temperatures.

Add Fuel

Use clean, fresh, regular unleaded gasoline with a minimum octane rating of 85 and an ethanol content of 10% or less by volume. 

DO NOT mix oil with gasoline.

1. Remove the gasoline cap.
2. Slowly add gasoline to the tank. DO NOT OVERFILL. Gasoline can expand after filling. A minimum of ¼ in. (6.4 mm) of space left in the tank is required for gasoline expansion, although more than ¼ in. (6.4 mm) is recommended. Gasoline can be forced out of the tank as a result of expansion if overfilled, and can affect the stable running condition of the generator.



3. Screw on the gasoline cap until you hear a “clicking” noise. Wipe up any spilled fuel.

CAUTION

Use unleaded gasoline with a minimum octane rating of 85 and an ethanol content of 10% or less by volume.

DO NOT light cigarettes or smoke when filling the tank.

DO NOT mix oil and gasoline.

DO NOT overfill the tank. Fill tank to approximately ¼ in. (6.4 mm) below the top of the tank to allow for gasoline expansion.

DO NOT pump gasoline directly into the generator at the pump. Use an approved container to transfer the gasoline to the generator.

DO NOT fill tank indoors.

DO NOT fill tank when the engine is running or hot.

WARNING

Pouring gasoline too fast through the fuel screen may result in gasoline splashing over the generator and operator while filling.

NOTICE

The generator engine works well with 10% or less ethanol blend gasoline. When using ethanol-gasoline blends there are some issues worth noting:

- Ethanol-gasoline blends can absorb more water than gasoline alone.
- These blends can eventually separate, leaving water or a watery goo in the tank, fuel valve and carburetor. The compromised gasoline can be drawn into the carburetor and cause damage to the engine and/or potential hazards.
- If a fuel stabilizer is used, confirm that it is formulated to work with ethanol-gasoline blends.
- Any damages or hazards caused by using improper gasoline, improperly stored gasoline, and/or improperly formulated stabilizers, are not covered by manufacturer’s warranty.

It is advisable to always shut off the gasoline supply and run the engine to starvation after each use. See Storage instructions for extended non-use.

Grounding

Your generator must be properly connected to an appropriate ground to help prevent electric shock.

WARNING

Failure to properly ground the generator can result in electric shock.

A ground terminal connected to the frame of the generator has been provided (see Controls and Features for terminal location). For remote grounding, connect a length of heavy gauge (12 AWG minimum) copper wire between the generator ground terminal and a copper rod driven into the ground. We strongly recommend that you consult with a qualified electrician to ensure compliance with local electrical codes.

Neutral Floating*

- Neutral circuit **IS NOT** electrically connected to the frame/ground of the generator.
- The generator (stator winding) is isolated from the frame and from the AC receptacle ground pin.
- Electrical devices that require a grounded receptacle pin connection will not function if the receptacle ground pin is not functional.

Neutral Bonded to Frame*

- Neutral circuit **IS** electrically connected to the frame/ground of the generator.
- The generator system ground connects lower frame cross-member below the alternator. The system ground is connected to the AC neutral wire.

*See your Specifications section for specified type of grounding.

OPERATION**Generator Location**

NEVER operate the generator inside any building, including garages, basements, crawlspaces and sheds, enclosure or compartment, including the generator compartment of a recreational vehicle. Please consult your local authority. In some areas, generators must be registered with the local utility. Generators used at construction sites may be subject to additional rules and regulations. Generators should be on a flat, level surface at all times. (Even while not in operation) Generators must have at least 5 ft. (1.5 m) of clearance from all combustible material. In addition to clearance from all combustible material, generators must also have at least 3 ft. (91.4 cm) of clearance on all sides to allow for adequate cooling, maintenance and servicing. Generators should never be started or operated in the back of a SUV, camper, trailer, in the bed of a truck (regular, flat or otherwise), under staircases/stairwells,

next to walls or buildings, or in any other location that will not allow for adequate cooling of the generator and/or the muffler. DO NOT contain generators during operation. Allow generators to properly cool before transport or storage.

Place the generator in a well-ventilated area. DO NOT place the generator near vents or intakes where exhaust fumes could be drawn into occupied or confined spaces. Carefully consider wind and air currents when positioning generator.

Failure to follow proper safety precautions may void manufacturer’s warranty.

WARNING

Do not operate or store the generator in rain, snow, or wet weather.

Using a generator or electrical appliance in wet conditions, such as rain or snow, or near a pool or sprinkler system, or when your hands are wet, could result in electrocution.

WARNING

During operation the muffler and exhaust fumes will become hot. If adequate cooling and breathing space are not supplied, or if the generator is blocked or enclosed, temperatures can become extremely heated and may lead to fire.

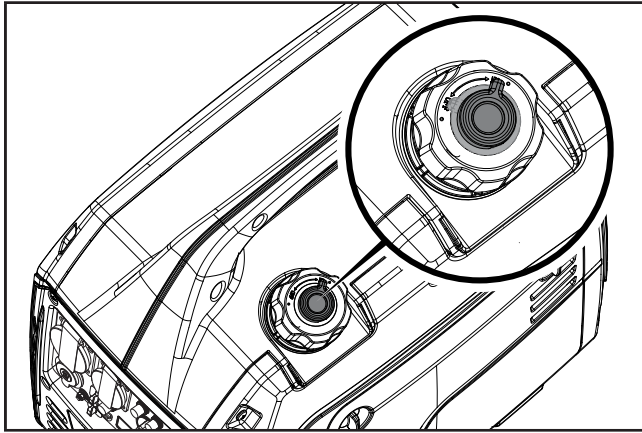
Surge Protection

Electronic devices, including computers and many programmable appliances use components that are designed to operate within a narrow voltage range and may be affected by momentary voltage fluctuations. While there is no way to prevent voltage fluctuations, you can take steps to protect sensitive electronic equipment.

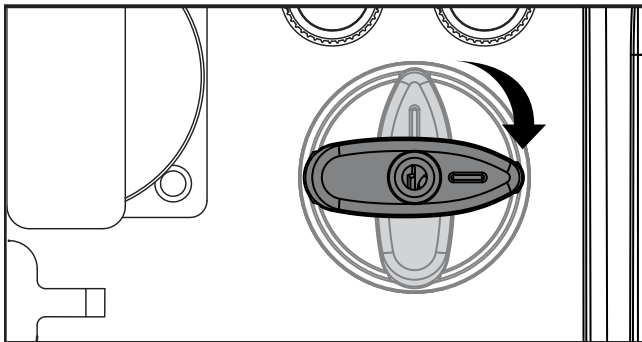
- Install UL1449, CSA-listed, plug-in surge suppressors on the outlets feeding your sensitive equipment. Surge suppressors come in single- or multi-outlet styles. They’re designed to protect against virtually all short-duration voltage fluctuations.

Starting the Engine

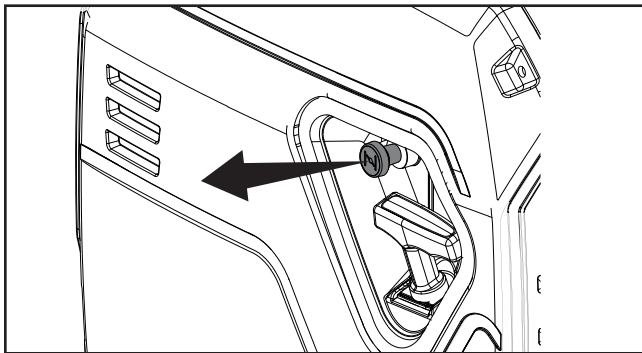
1. Make certain the generator is on a flat, level surface.
2. Disconnect all electrical loads from the generator. Never start or stop the generator with electrical devices plugged in or turned on.
3. Turn the fuel cap vent lever to the "ON" position.



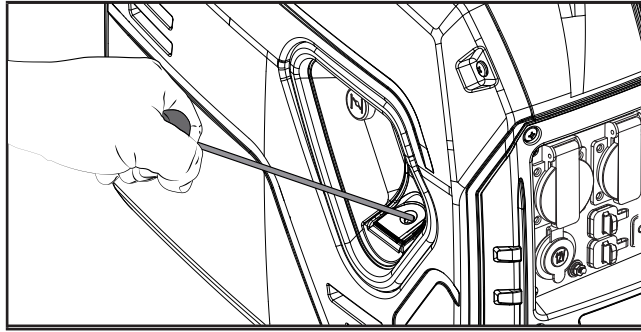
4. Turn the fuel dial clockwise to the full "ON" position.



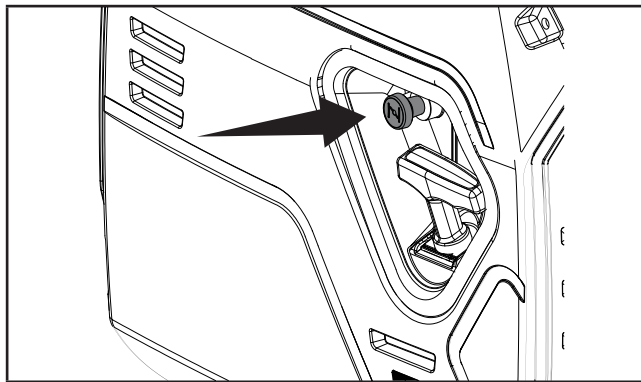
5. Pull choke knob out to the "CHOKE" position.



6. Pull the recoil cord slowly until resistance is felt and then pull rapidly.



7. As engine warms up, push the choke knob in to the "RUN" position.



NOTICE

Keep choke lever in "CHOKE" position for only 1 pull of the recoil cord. After first pull, press the choke knob in to the "RUN" position for up to the next 3 pulls of the recoil cord. Too much choke leads to spark plug fouling/engine flooding due to the lack of incoming air. This will cause the engine not to start.

NOTICE

For gasoline restarts with hot engine in hot ambient > 86°F (30°C): If generator does not start after the first pull, press the choke knob in to the "RUN" position for the next 3 pulls. Too much choke leads to spark plug fouling/engine flooding due to the lack of incoming air. This will cause the engine not to start.

NOTICE

For gas starting in cold ambient < 59°F (15°C): The choke must be in 100% of the "CHOKE" position for manual start procedures. Do not over-choke. As soon as engine starts, push the choke knob in the "RUN" position.

NOTICE

If the engine starts but does not continue to run make certain that the generator is on a flat, level surface. The engine is equipped with a low oil sensor that will prevent the engine from running when the oil level falls below a critical threshold.

Connecting Electrical Loads

Let the engine stabilize and warm up for a few minutes after starting.

Plug in and turn on the desired 220 (if applicable) Volt AC single phase, 50 Hz electrical loads.

- DO NOT connect 3-phase loads to the generator.
- DO NOT overload the generator.

WARNING

Connecting a generator to your electric utility company's power lines or to another power source may be against the law. In addition this action, if done incorrectly, could damage your generator and appliances and could cause serious injury or even death to you or a utility worker who may be working on nearby power lines. If you plan to run a portable electric generator during an outage, please notify your electric utility company immediately and remember to plug your appliances directly into the generator. Do not plug the generator into any electric outlet in your home. Doing so could create a connection to the utility company power lines. You are responsible for ensuring that your generator's electricity does not feed back into the electric utility power lines.

If the generator will be connected to a building electrical system, consult your local utility company or a qualified electrician. Connections must isolate generator power from utility power and must comply with all applicable laws and codes.

Do Not Overload Generator

Capacity

Follow these simple steps to calculate the running and starting watts necessary for your purposes:

1. Select the electrical devices you plan on running at the same time.
2. Total the running watts of these items. This is the amount of power you need to keep your items running.
3. Identify the highest starting wattage of all devices identified in step 1. Add this number to the number calculated in step 2. Starting wattage is the surge of power

needed to start some electric driven equipment. Following the steps listed under "Power Management" will guarantee that only one device will be starting at a time.

Power Management

Use the following formula to convert voltage and amperage to watts:

$$\text{Volts} \times \text{Amps} = \text{Watts}$$

To prolong the life of your generator and attached devices, follow these steps to add electrical load:

1. Start the generator with no electrical load attached.
2. Allow the engine to run for several minutes to get up to temperature.
3. Plug in and turn on the first item. It is best to attach the item with the largest load first.
4. Allow the engine to stabilize.
5. Plug in and turn on the next item.
6. Allow the engine to stabilize.
7. Repeat steps 5-6 for each additional item.

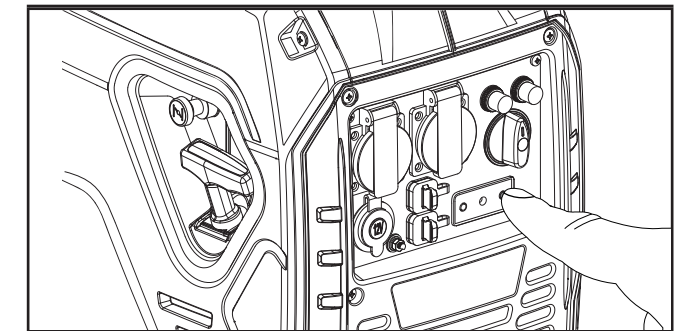
NOTICE

Never exceed the specified capacity when adding loads to the generator.

Eco (Economy) Mode

The Eco Mode button can be activated to turn on economy control in order to minimize fuel consumption and noise while operating the unit during times of reduced electrical output. Eco Mode allows the engine speed to idle during periods of non-use.

The engine speed returns to normal when an electrical load is connected. When the economy switch is off, the engine runs at normal speed continuously.



CAUTION

For periods of high electrical load or momentary fluctuations, the Eco Mode should be off.

12V DC Automotive Style Outlet

The 12V DC outlet(s) can be used with supplied accessories and other commercially available 12V DC automotive style plugs. The DC output is unregulated and can damage some products. Confirm the input voltage range of your item is at least 12-24V DC. When using the DC outlet turn the Eco Mode switch to the "OFF" position.

⚠ WARNING

Do not operate a device while it is plugged in to the 12V DC outlet.

Prolonged exposure to engine exhaust can cause serious injury or death.

⚠ CAUTION

While charging a device do not place on the exhaust side of the generator. Extreme heat caused by exhaust can damage the device, and cause a potential fire hazard.

Battery Charging

1. Before connecting the battery charging cable (included) to a battery that is installed in a vehicle, disconnect the vehicle battery ground cable from the negative (-) battery terminal.
2. Plug the battery charging cable into the 12V DC receptacle of the generator.
3. Connect the red (+) battery charger lead to the red (+) battery terminal.
4. Connect the black (-) battery charger lead to the black (-) battery terminal.
5. Start the generator.

Important: The 12V DC outlet is ONLY to be used with the supplied 12V DC battery charging cable. The 12V DC output is unregulated and will damage other 12V DC products. When using the 12V DC outlet, turn the Economy mode switch to the "OFF" position. Be sure all electric devices including the lines and plug connections are in good condition before connection to the generator.

⚠ CAUTION

Do not start the vehicle while the battery charging cable is connected and the generator is running. It will not give the battery a boost of power. The vehicle or the generator may be damaged. Charge only vented wet lead acid batteries. Other types of batteries may burst, causing personal injury or damage.

🗨 NOTICE

Be sure all electric devices including the lines and plug connections are in good condition before connection to the generator.

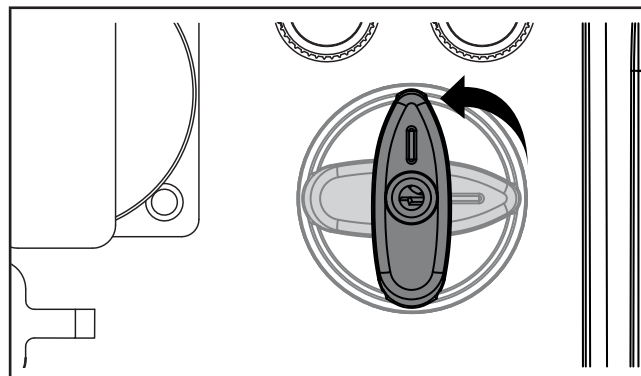
Parallel Operation

The Champion model 92001i-EU is parallel ready and can be operated in parallel with another Champion unit to increase the total available electrical power. A Champion parallel kit (optional equipment) is required for parallel operation. For a list of compatible models or to order a parallel kit, please contact your local distributor.

Detailed instructions for parallel kit installation and operation of the connected generators are provided in the parallel kit operator's manual.

Stopping the Engine

1. Turn off and unplug all electrical loads. Never start or stop the generator with electrical devices plugged in or turned on.
2. Let the generator run at no-load for several minutes to stabilize internal temperatures of the engine and generator.
3. Turn the fuel dial counter-clockwise to the STOP position.



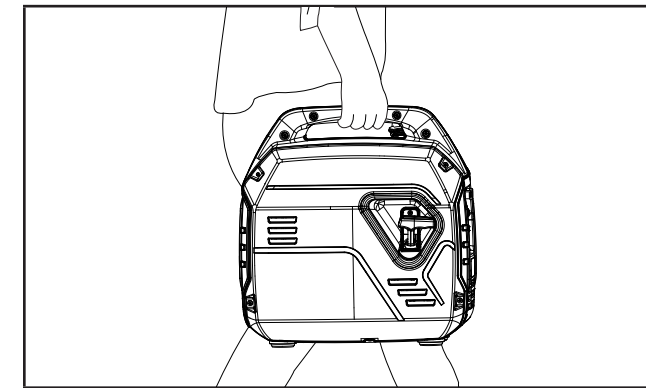
Important: Always ensure that the fuel dial and fuel lever vent are in the "OFF" position when the generator is not in use.

🗨 NOTICE

If the generator will not be used for a period of two (2) weeks or longer, please see the Storage section for proper engine and fuel storage.

Moving the Generator

- ALWAYS turn the generator off and ensure the fuel valve is closed.
- ALWAYS make sure engine and muffler are cooled down before the generator can be handled safely (typically 15-30 minutes).
- Lift unit up by the carrying handle and move to the desired location.
- Do not drop or strike unit or place under heavy objects.
- Failure to follow these instructions could result in personal injury or damage to the generator.



Operation at High Altitude

The density of air at high altitudes is lower than at sea level. Engine power is reduced as the air mass and air-fuel ratio decrease. Engine power and generator output will be reduced approximately 3½% for every 1000 ft. of elevation above sea level. At high altitudes increased exhaust emissions can also result due to the increased enrichment of the air fuel ratio. Other high altitude issues can include hard starting, increased fuel consumption and spark plug fouling.

To alleviate high altitude issues other than the natural power loss, CPE can provide a high altitude carburetor main jet. The alternative main jet and installation instructions can be obtained by contacting our Technical Support Team. Installation instructions are also available in the Technical Bulletin area of the CPE website.

The part number and recommended minimum altitude for the application of the high altitude carburetor main jet is listed in the following table.

In order to select the correct high altitude main jet it is necessary to identify the carburetor model. For this purpose, a code is stamped on the side of the carburetor. Select the correct high altitude jet part number corresponding to the carburetor code found on your particular carburetor.

⚠ WARNING

Operation using the alternative main jet at elevations lower than the recommended minimum altitude can damage the engine. For operation at lower elevations, the originally supplied standard main jet must be used. Operating the engine with the wrong engine configuration at a given altitude may increase its emissions and decrease fuel efficiency and performance.

MAINTENANCE

Make certain that the generator is kept clean and stored properly. Only operate the unit on a flat, level surface in a clean, dry operating environment. DO NOT expose the unit to extreme conditions, excessive dust, dirt, moisture or corrosive vapors.

⚠ WARNING

Never operate a damaged or defective generator.

⚠ WARNING

Improper maintenance will void your warranty.

🗨 NOTICE

For Emission control devices and systems, read and understand your responsibilities for service as stated in the Emission Control Warranty Statement of this manual.

The owner/operator is responsible for all periodic maintenance.

Complete all scheduled maintenance in a timely manner.

Correct any issue before operating the generator.

For service or parts assistance, contact our Technical Support Team at +44 (0)1942 715 407.

Cleaning the Generator

CAUTION

DO NOT spray generator directly with water.

Water can enter the generator through the cooling slots and damage the generator windings. It can also contaminate the fuel system.

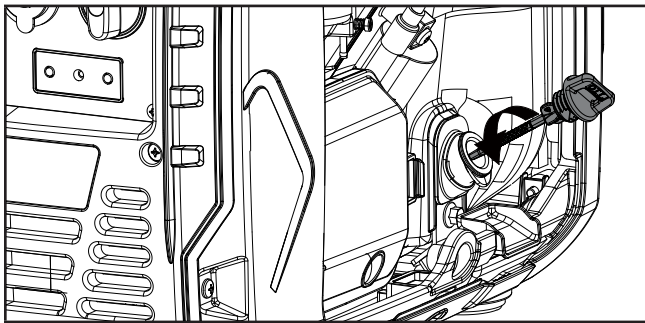
1. Use a damp cloth to clean exterior surfaces of the generator.
2. Use a soft bristle brush to remove dirt and oil.
3. Use an air compressor (25 PSI) to clear dirt and debris from the generator.
4. Inspect all air vents and cooling slots to ensure that they are clean and unobstructed.

To prevent accidental starting, remove and ground the spark plug wire before performing any service.

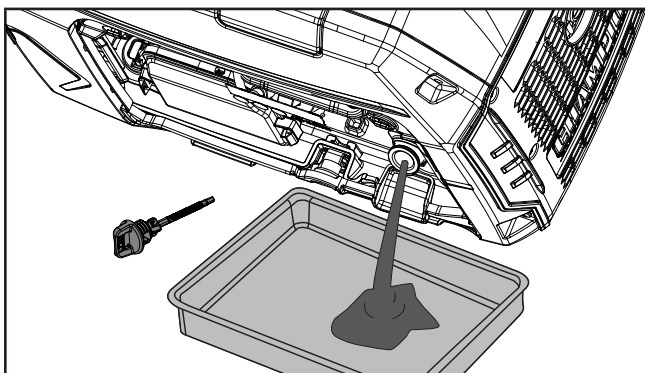
Changing the Engine Oil

Change oil when the engine is warm. Refer to the oil specification to select the proper grade for your operating environment.

1. Set the generator on top of a work bench or table.
2. Loosen the cover screws and remove the maintenance cover.
3. Remove oil fill cap/dipstick.



4. Tilt the generator on its side and allow the oil to drain completely.



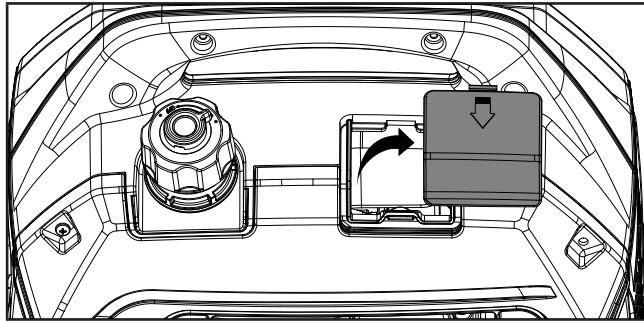
5. Add oil according to *Add Engine Oil* in *Assembly* section. DO NOT OVERFILL. Oil not included for routine maintenance.
6. Reinstall the maintenance cover.
7. Dispose of used oil at an approved waste management facility.

NOTICE

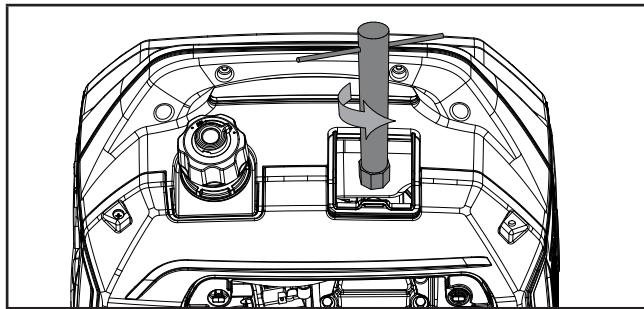
Once oil has been added, a visual check should show oil about 1-2 threads from running out of the fill hole. If using the dipstick to check oil level, DO NOT screw in the dipstick while checking.

Cleaning and Adjusting the Spark Plug

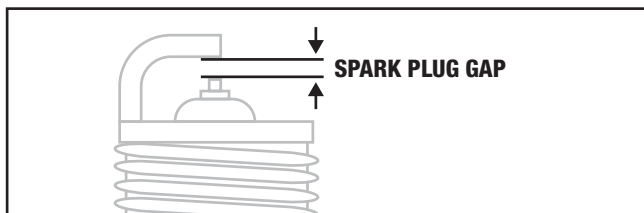
1. Remove the maintenance cover.
2. Remove spark plug access cap from the top panel.



3. Remove the spark plug cable from the spark plug.
4. Use a spark plug socket tool (not included), or a 13/16 in. (21 mm) socket (not included) to remove the plug.



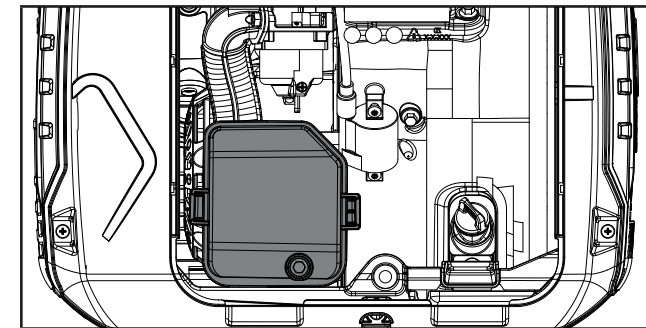
5. Inspect the electrode on the plug. It must be clean and not worn to produce the spark required for ignition.
6. Make certain the spark plug gap is 0.024 - 0.031 in. (0.6 - 0.8 mm).



7. Refer to the spark plug types in Specifications when replacing the plug.
8. Firmly re-install the plug.
9. Attach the spark plug cable to the spark plug.
10. Reinstall the spark plug access cap and maintenance cover.

Cleaning the Air Filter

1. Remove the maintenance cover.
2. Locate the air filter plastic cover. Remove the screw using a Phillips head screwdriver.



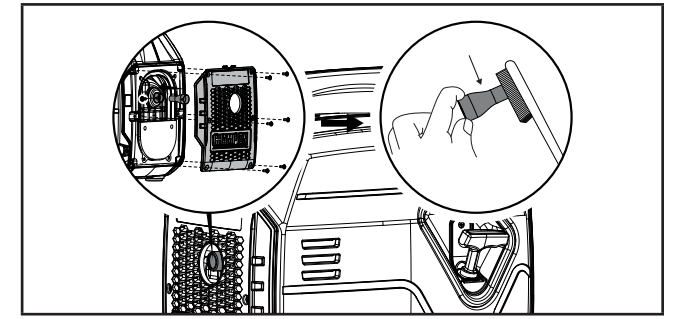
3. Remove the foam element.
4. Wash in liquid detergent and water. Squeeze thoroughly dry in a clean cloth.
5. Saturate in clean engine oil.
6. Squeeze in a clean, absorbent cloth to remove all excess oil.
7. Place the filter in the assembly.
8. Reattach the air filter cover.
9. Reinstall the maintenance cover and tighten the cover screw securely.

CAUTION

The filter element may contain PAHs, PAHs are harmful for your health. Please wear gloves for protection during air filter maintenance.

Cleaning the Spark Arrestor

1. Allow the engine to cool completely before servicing the spark arrestor.
2. Remove the 6 screws holding the cover plate on the muffler side of the generator.
3. Remove the screw which retains the spark arrestor to the muffler.
4. Remove the spark arrestor screen.
5. Carefully remove the carbon deposits from the spark arrestor screen with a wire brush.



6. Replace the spark arrestor if it is damaged.
7. Position the spark arrestor on the muffler and attach by reversing the steps from above.

CAUTION

Failure to clean the spark arrestor will result in degraded engine performance.

NOTICE

Federal and local laws and administrative requirements indicate when and where spark arrestors are required. When ordered, spark arrestors are required for operation of this generator in National Forest lands. In California, this generator must not be used on any forest-covered land, brush-covered land, or grass-covered land unless the engine is equipped with a spark arrestor.

Adjusting the Governor

WARNING

Tampering with the factory set governor will void your warranty.

The air-fuel mixture is not adjustable. Tampering with the governor can damage your generator and your electrical devices and will void your warranty. Contact our Technical Support Team at +44 (0)1942 715 407 for all other service and/or adjustment needs.

Maintenance Schedule

Follow the service intervals indicated in the following maintenance schedule.

Service your generator more frequently when operating in adverse conditions.

Contact our Technical Support Team at +44 (0)1942 715 407 to locate the nearest CPE certified service dealer for your generator or engine maintenance needs.

EVERY 8 HOURS OR PRIOR TO EACH USE

- ☐ Check oil level
- ☐ Clean around air intake and muffler

FIRST 5 HOURS (BREAK IN)

- ☐ Change oil

EVERY 50 HOURS OR ANNUALLY

- ☐ Clean air filter
- ☐ Change oil if operating under heavy load or in hot environments

EVERY 100 HOURS OR ANNUALLY

- ☐ Change oil
- ☐ Clean/adjust spark plug
- ☐ Clean spark arrestor
- ☐ Clean fuel valve filter*

EVERY 250 HOURS

- ☐ Clean combustion chamber*
- ☐ Check/adjust valve clearance*

EVERY 3 YEARS

- ☐ Replace fuel line*

*To be performed by knowledgeable, experienced owners or CPE certified service centers.

STORAGE**⚠ DANGER**

Gasoline and gasoline vapors are highly flammable and extremely explosive.

Fire or explosion can cause severe burns or death. Only fill or drain fuel outdoors in a well-ventilated area. DO NOT pump gasoline directly into the generator. Use an approved container to transfer the fuel to the generator. Never use a gasoline container, gasoline tank, or any other fuel item that is damaged or appears damaged. DO NOT overfill the gasoline tank. Always keep fuel away from sparks, open flames, pilot lights, heat and other sources of ignition. DO NOT light or smoke cigarettes.

Short Term Storage (up to 30 days)

Gasoline in the gasoline tank has a maximum shelf life of up to 1 year with the addition of properly formulated fuel stabilizers and if stored in a cool, dry place. Gasoline in the carburetor, however, may gum up and clog the carburetor if it isn't used or drained within 2-4 weeks.

If using the generator within 2 weeks, follow the steps according to *Stopping the Engine* section.

1. If not using the generator for 2-4 weeks, begin by making sure all appliances are disconnected from the generator.
2. Start the generator as instructed in *Starting the Engine* section.
3. Let the engine run until fuel starvation has stopped the engine.
4. After the engine stops, turn the dial counterclockwise to the "STOP" position.

Mid Term Storage (30 days – 1 year)

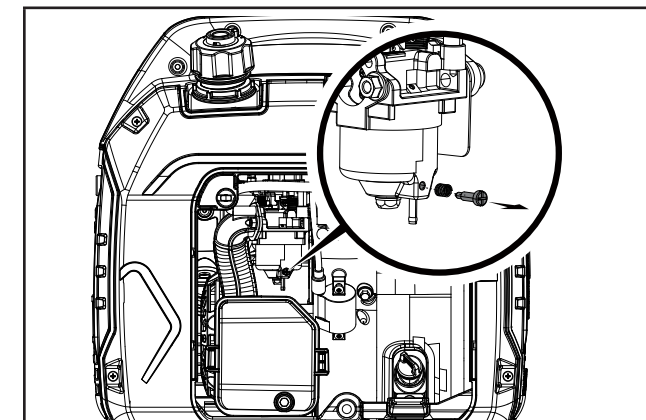
Gasoline in the tank has a maximum shelf life of up to 1 year with the addition of a properly formulated fuel stabilizer and stored in a cool, dry place.

1. Be sure all appliances are disconnected from the generator.
2. Add a properly formulated fuel stabilizer to the gasoline tank.
3. Start engine by following directions in the *Starting the Engine* section.
4. Run the generator for 10 minutes so the treated gasoline cycles through the fuel system and carburetor.
5. Let the engine run until fuel starvation has stopped the engine.
6. After the engine stops, turn the dial counterclockwise to the "STOP" position.
7. After fuel has run out and the engine has stopped, allow the engine to cool.
8. Remove maintenance cover.
9. Remove the spark plug and pour about a tablespoon of oil into the cylinder.
10. SLOWLY pull the recoil to rotate the engine to distribute and lubricate the cylinder.
11. Re-install the spark plug and spark plug wire.
12. Re-install the maintenance cover.
13. Clean the generator according to *Cleaning the Generator*.
14. Store the generator in a cool, dry place out of direct sunlight.

Long Term Storage (more than 1 year)

For storage over 1 year, the gasoline tank and carburetor must be completely drained of gasoline.

1. Be sure all appliances are disconnected from generator.
2. Place inverter on blocks to allow appropriate gasoline container or pan to slide under inverter.
3. Remove the maintenance cover.
4. Turn the fuel dial clockwise to the full "RUN" position.
5. Using a Phillips screwdriver, rotate drain screw counterclockwise (3) full turns. Gasoline will drain through clear tubing out underneath the inverter. Make sure draining gasoline empties into an appropriate container.



6. When gasoline stops flowing from the clear tube, rotate drain screw clockwise until tight. Properly dispose of the drained gasoline according to local regulations or guidelines.
7. Turn the fuel dial to the "STOP" position.
8. Follow steps 8-12 according to Short Term Storage.

Transportation

To prevent fuel spillage when transporting or during temporary storage, the washer should be secured upright in its normal operating position, with the engine switch OFF. The fuel valve lever should be turned OFF.

⚠ WARNING

When transporting:

Do not overfill the tank. Do not operate the washer while it is on vehicle. Take the washer off the vehicle and use it in a well-ventilated place. Avoid a place exposed to direct sunlight when putting the washer on a vehicle. If the washer is left in an enclosed vehicle for many hours, high temperature inside the vehicle could cause fuel to vaporize resulting in a possible explosion. Do not drive on a rough road for an extended period with the washer on board. If you must transport the washer on a rough road, drain the fuel from the washer beforehand.

Removing from Storage

If the generator has been improperly stored for a long period of time with gasoline in the gasoline tank and/or carburetor, all fuel must be drained and the carburetor must be thoroughly cleaned. This process involves technically advanced tasks. For assistance please call our Technical Support Team at +44 (0)1942 715 407.

If the gasoline tank and carburetor were properly emptied of all gasoline prior to the generator being stored, follow the below steps when removing from storage.

1. Be sure the fuel dial is in the "STOP" position.
2. Add gasoline to the generator according to *Add Fuel*.
3. Move the fuel dial to the "RUN" position.
4. After 5 minutes check the carburetor and air filter areas for any leaking gasoline. If any leaks are found, the carburetor will need to be disassembled and cleaned or replaced. If no gasoline leaks are found, turn the fuel dial to the "STOP" position.
5. Check engine oil level and add clean, fresh oil if needed. See Oil Specifications for proper oil type.
6. Check and clear air filter of any obstructions such as bugs or cobwebs. If necessary, clean air filter according to *Cleaning the Air Filter*.
7. Start the generator according to *Starting the Engine*.

⚠ DANGER

Generator exhaust contains odorless and colorless carbon monoxide gas.

To avoid accidental or unintended ignition of your generator during periods of storage, the following precautions should be followed:

- When storing the generator make sure the fuel dial is set to the "STOP" position.

SPECIFICATIONS

Generator Specifications

Generator Model	92001i-EU
Start Type	Manual
Watts (Starting/Running)	2500/1900
Volts AC	220
AC Amps @ 220V	8.6
Volts DC	12
DC Amps	8
Frequency	50 Hz
Max site altitude of installation	1000m
Measured sound pressure level	58dB(A)
Phase	Single
Grounding Type	Floating Neutral
Weight	39.5 lb. (17.9 kg)
Length	17.3 in. (44 cm)
Width	11.5 in. (29.2 cm)
Height	17.7 in. (45 cm)

Engine Specifications

Model	148F-D
Displacement	79 cc
Type	4-Stroke OHV

Spark Plug

OEM Type	TORCH E5T
Gap	0.024 - 0.031 in. (0.6 - 0.8 mm)

Valve

Intake Clearance	0.004-0.006 in. (0.10-0.15 mm)
Exhaust Clearance	0.006-0.008 in. (0.15-0.20 mm)

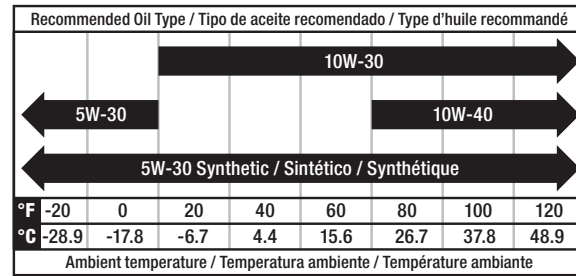
NOTICE

A technical bulletin regarding valve adjustment procedures is available at www.championpowerequipment.co.uk.

Oil Specifications

DO NOT OVERFILL.

Type..... *See following chart
Capacity 16.9 fl. oz. (0.5 qt.)



NOTICE

Temperature will affect engine oil and engine performance. Change the type of engine oil used based on the temperature to suit the engine needs.

Fuel Specifications

Use unleaded gasoline with a minimum octane rating of 85 and an ethanol content of 10% or less by volume. DO NOT USE E15 or E85. DO NOT OVERFILL.

Gasoline Capacity 1.1 gal. (4 L)

Temperature Specifications

Starting Temperature Range (°F/°C) 5 to 104/-15 to 40

NOTICE

An important message about temperature: Your product is designed and rated for continuous operation at ambient temperatures up to 104°F (40°C). When needed, it may be operated at temperatures ranging from 5°F (-15°C) to 122°F (50°C) for short periods of time. If exposed to temperatures outside this range during storage, it should be brought back within this range before operation. In any event, the product must always be operated outdoors, in a well-ventilated area and away from doors, windows and vents.

TROUBLESHOOTING

Problem	Cause	Solution	
Engine will not start.	No fuel.	Add fuel.	
	Faulty spark plug.	Clean and adjust spark plug or replace.	
	Low oil level.		Fill crankcase to the proper level.
			Place generator on a flat, level surface.
	Spark plug wire loose.	Attach wire to spark plug.	
	Fuel valve is closed.	Open fuel valve.	
	Old fuel or water in fuel.	Drain fuel and replace with fresh fuel.	
Flooded with fuel.	Let unit stand for 10 mins.		
Engine starts but runs roughly.	Choke in the wrong position.	Move choke until it stops under RUN position or push in completely.	
	Dirty air filter.	Clean or replace air filter.	
	Dirty fuel valve.	Clean the fuel valve.	
	Clogged spark arrestor.	Clean spark arrestor.	
Engine shuts down during operation.	Out of fuel.	Fill fuel tank.	
	Low oil level.	Fill crankcase to the proper level. Place generator on a flat, level surface.	
	Clogged spark arrestor.	Clean spark arrestor.	
Generator cannot supply enough power or overheating.	Generator is overloaded.	Review load and adjust. See "Connecting Electrical Loads."	
	Dirty air filter.	Clean or replace air filter.	
	Choke in wrong position.	Move choke until it stops under RUN position or push in completely.	
Engine is running but no AC output.	Poor cord connection.	Check all connections.	
	Circuit breaker is open.	Reset circuit breaker.	
	Loose wiring.	Inspect and tighten wiring connections.	
	Other.	Contact the help line.	
Engine hunts or falters.	Engine governor defective.	Contact the help line.	
	Dirty fuel valve.	Clean the fuel valve.	
	Carburetor is dirty and running lean.	Contact the help line.	
	Choke in wrong position.	Move choke until it stops under RUN position or push in completely.	
Repeated circuit breaker tripping.	Overload.	Review load and adjust. See "Connecting Electrical Loads."	
	Faulty power cords or device.	Check for damaged, bare or frayed wires. Replace defective device.	
	Circuit breaker still too hot.	Let unit sit for 5 mins.	

For other issues and technical support:

Technical Support Team
Mon-Fri 8:30 AM-5:00 PM (PST/PDT)
Toll Free +44 (0)1942 715 407
support@championpowerequipment.co.uk

INLEDNING

Grattis till ditt köp av denna invertergenerator. Följ dessa anvisningar och serva den korrekt.

DENNA BROSCHYR

Vi förbehåller oss rätten att ändra, anpassa eller förbättra produkten eller denna bruksanvisning utan vidare förvarning.

Anteckna modell- och serienumren samt datumet och inköpsstället för framtida behov. Ha denna information tillgänglig vid beställning av reservdelar och vid tekniska frågor eller garantiärenden.

CPE TEKNISKT SUPPORTTEAM
MODELLNUMMER
SERIENUMMER
FÖRSÄLJNINGSDATUM
FÖRSÄLJNINGSTÄLLE

SÄKERHETSDEFINITIONER

Bekanta dig med följande symboler. Säkerhetssymbolen och nyckelorden är säkerhetsvarningar. Följ alla säkerhetsmeddelanden för att undvika olyckor eller personskador.

⚠ FARA

FARA betecknar en farlig situation som, om den inte undviks, kommer att leda till dödsfall eller allvarliga personskador.

⚠ VARNING

VARNING betecknar en farlig situation som, om den inte undviks, kan leda till dödsfall eller allvarliga personskador.

⚠ FÖRSIKTIGHET

FÖRSIKTIGHET betecknar en farlig situation som, om den inte undviks, kan leda till mindre eller måttliga personskador.

🗨 OBSERVERA

OBSERVERA används för att uppmärksamma om förlopp som inte är relaterad till fysisk skada.

VIKTIGA SÄKERHETSANVISNINGAR

⚠ FARA

Generatoravgaser innehåller kolmonoxid som är en färglös, doftfri, giftig gas. Att andas in kolmonoxid leder till illamående, yrsel, svimning eller död. Om du börjar känna dig yr eller svag måste du omedelbart få friskluft.

ANVÄND GENERATORN UTMOMHUS OCH PÅ EN VÅL VENTILERAD PLATS.

Använd INTE generatoren inomhus, inklusive garage, källare, kryputrymmen, förråd, inhägnader eller utrymmen samt generatorutrymmen i husbilar eller husvagnar.

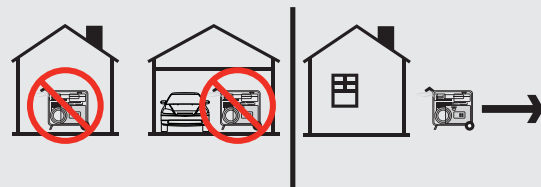
Låt INTE avgaser tränga in i stängda utrymmen genom fönster, dörrar, ventiler eller andra öppningar.

⚠ FARA

Om en generator används inomhus **KAN DU DÖ INOM NÅGRA MINUTER**. Generatoravgaserna innehåller kolmonoxid. Du kan varken se eller känna lukten av giftet.

Använd **ALDRIG** generatoren i en bostad eller ett garage, **ÄVEN OM** dörrarna och fönstren är öppna.

Använd **ENDAST** generatoren **UTMOMHUS** och med säkerhetsavstånd från fönster, dörrar och ventiler.



Installera batteriförsörjda kolmonoxidlarm eller jackbara kolmonoxidlarm med reservbatteri enligt tillverkarens anvisningar.

⚠ FARA

Händer, fötter, hår, kläder och/eller accessoarer kan fastna i roterande delar. Traumatiska amputationer eller allvarliga skärsår kan bli följden.

Se till att hålla händer och fötter borta från roterande delar.

Sätt upp långt hår och ta av smycken.

Använd utrustningen med monterade skydd.

Använd INTE löst sittande kläder, hängande snören eller andra saker som kan fastna.

⚠ VARNING

Användning av den här utrustningen kan orsaka gnistor som kan orsaka eldsvåda i torr vegetation.

Ett gnistskydd kan krävas. Användaren ska höra av sig till den lokala brandskyddsmyndigheten för att få information om lagar eller bestämmelser beträffande gällande brandskyddsbestämmelser.

⚠ FARA

Generatoren genererar hög spänning.

Rör INTE frilagda sladdar eller uttag.

Använd INTE elkablar som är slitna, skadade eller trasiga. Använd endast Champion-elkablar för att utrustningen ska fungera ordentligt.

Använd INTE generatoren i våt väderlek.

Tillåt INTE att barn eller obehöriga använder eller genomför underhåll på generatoren

Använd en jordfelsbrytare (GFCI) på fuktiga platser eller i områden med ledande material såsom metallunderlag.

För att ditt hems elsystem ska kunna anslutas ska en behörig elektriker installera en godkänd 30 A nätomkopplare. Dessutom ska installationen godkännas av den lokala behöriga myndigheten. Anslutningen måste isolera generatoren från kraften i elnätet och ska följa alla gällande lagar och elsäkerhetsregler.

⚠ VARNING

Gnistor kan orsaka eldsvåda eller ge elstötar.

Vid underhåll av generatoren:

Dra ur sladden till tändstiftet och lägg den där den inte kan komma i kontakt med tändstiftet eller andra metallföremål.

Undersök INTE om det bildas gnistor när tändstiftet är borttaget.

Använd endast godkända tändstiftsprovare.

⚠ VARNING

När motorer är i drift bildas värme. Allvarliga brännskador kan uppstå vid kontakt. Brännbart material kan fatta eld vid kontakt.

Rör INTE varma ytor.

Undvik kontakt med varma avgaser.

Låt utrustningen svalna innan den vidrörs.

Se till att hålla ett avstånd på minst 91,4 cm (ca 3 ft.) på alla sidor för att säkerställa tillräcklig avkyllning.

Se till att hålla ett avstånd på minst 1,5 meter (ca 5 ft.) från brännbart material.

⚠ VARNING

Startsnörets snabba upprullning kan dra handen och armen mot motorn snabbare än du hinner släppa taget. Oavsiktlig start kan resultera i intrassling, traumatisk amputation eller skärsår. Brutna ben, frakturer, blåmärken eller stukningar kan bli resultatet.

För att starta motorn dra du startsnöret långsamt tills det börjar ta emot. Dra sedan snabbt för att undvika rekyl.

Starta eller stanna INTE motorn när elektrisk utrustning är ansluten och påslagen.

⚠ FÖRSIKTIGHET

Att överstiga generatorns driftkapacitet kan skada generatoren och/eller den elektriska utrustning som är ansluten till den.

Överbelasta INTE generatoren.

Ändra INTE med den reglerade hastigheten.

Modifiera INTE generatoren på något sätt.

⚠ FÖRSIKTIGHET

Starta generatoren och låt motorn stabiliseras innan du ansluter någon elektrisk last.

Anslut elektrisk utrustning när generatoren är avstängd och sätt sedan på den efter anslutning.

Stäng av och koppla ur elektrisk utrustning innan du stänger av generatoren.

⚠ FÖRSIKTIGHET

Olämplig hantering eller användning av generatoren kan skada den, förkorta dess livslängd och göra garantin ogiltig.

Använd endast generatoren på avsett sätt.

Använd endast på jämnt underlag.

Utsätt INTE generatoren för onormalt mycket fukt, damm eller smuts.

Låt INTE något material blockera ventilationsöppningarna.

Om anslutna enheter överhettas ska de stängas av och kopplas bort från generatoren.

Använd INTE generatoren om:

- Den inte alstrar någon elektricitet
- Utrustningen ger gnistor, rök eller eld
- Utrustningen vibrerar överdrivet

⚠ VARNING**Medicinsk och livsuppehållande användning.**

Kontakta larmassistans omedelbart i händelse av en olycka.

Använd ALDRIG den här produkten för att driva livsuppehållande enheter eller apparater.

Använd ALDRIG den här produkten för att driva medicinska enheter eller apparater.

Informera din elleverantör omedelbart om någon i ditt hushåll är beroende av elektrisk utrustning för att överleva.

Informera din elleverantör omedelbart om någon i ditt hushåll drabbas av en medicinsk kris utan tillgänglig elektricitet.

Pumpa INTE in bensin direkt i generatören på bensinstationen. Använd en godkänd behållare för att fylla på bränslet i generatören.

Överfyll INTE bensintanken.

Se alltid till att hålla bensin borta från gnistor, öppen eld, glöd, hetta eller andra antändningskällor.

Tänd INTE eller rök cigaretter.

När generatören startas:

Försök INTE att starta en skadad generator.

Se till att bensinlocket, luftfiltret, tändstiftet, bränsleslangarna och avgassystemet sitter ordentligt på plats.

Låt utspild bensin dunsta bort ordentligt innan du försöker starta motorn.

Se till att generatören står stadigt på ett plant underlag.

Vid användning av generatören:

Flytta eller tippa INTE generatören under användning.

Tippa INTE generatören och låt inte bränsle eller olja spillas ut.

Vid transport eller underhåll av generatören:

Se till att bränsleventilen är stängd och att bensintanken är tom.

Koppla loss sladden till tändstiftet.

Vid förvaring av generatören:

Förvara skyddad från gnistor, öppen eld, glöd, hetta eller andra antändningskällor.

Förvara inte generatören eller bensin nära ugnar, varmvattenberedare eller andra apparater som alstrar värme eller som tänds automatiskt.

⚠ VARNING

Använd aldrig en bensinbehållare, bensintank eller annan bränslebehållare som är skadad eller verkar vara skadad.

Bränslesäkerhet**⚠ FARA****BENSIN OCH BENSINÅNGOR ÄR MYCKET BRANDFARLIGA OCH EXPLOSIVA.**

Brand eller explosion kan orsaka allvarliga brännskador eller dödsfall.

Bensin och bensinångor:

- Bensin är mycket brandfarlig och explosiv.
- Bensin kan orsaka eldsvåda eller explosion vid antändning.
- Bensin är ett flytande bränsle men dess ångor kan antändas.
- Bensin är irriterande för huden och måste tvättas bort omedelbart om den spillts på hud eller kläder.
- Bensin har en distinkt lukt, vilket hjälper till att upptäcka potentiella läckor snabbt.
- Vid petroleumgasbrand får flammorna inte släckas om man inte först kan stänga AV bränsleförsörjningsventilen. Detta beror på att det kan föreligga explosionsrisk om en eldsvåda släcks utan att bränsleförsörjningen stängts av.
- Bensin expanderar eller dras ihop beroende på omgivningstemperaturen. Fyll aldrig bensintanken helt, eftersom bensin behöver utrymme att expandera om temperaturen stiger.

Vid påfyllning eller avtappning av bensin:

Stäng av generatören och låt den svalna i minst två minuter innan bensinlocket tas av. Lossa försiktigt på locket för att släppa ut trycket ur tanken.

Fyll eller tappa endast av bensin utomhus på en väl ventilerad plats.

Operation Symbols

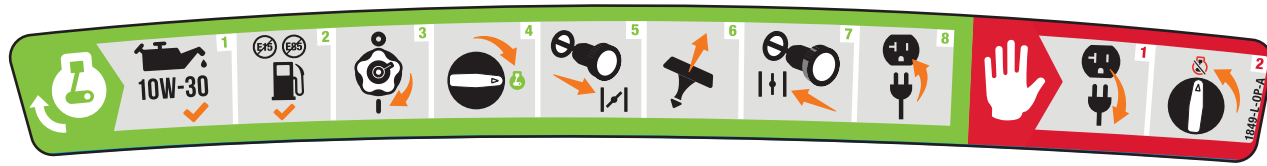
Some of the following symbols may be used on this product. Please study them and learn their meaning. Proper interpretation of these symbols will allow you to more safely operate the product.

SYMBOL	MEANING
	ON
	STOP or OFF
	Choke. Pull choke knob to "CHOKE" position.
	Run. Push choke knob to "RUN" position.
	12V Direct Current
	Circuit Breaker Reset: Push

SYMBOL	MEANING
	Parallel Connection(s)
	Ground Terminal
	Overload Reset Switch
	Low Oil
	Economy Mode Switch

Quickstart Label Symbols

Some of the following symbols may be used on this product. Please study them and learn their meaning. Proper interpretation of these symbols will allow you to more safely operate the product.



Starting the Engine

⚠ DANGER

Move generator outside and far away from windows, doors and intake ventilation covers.

- Check oil level.**
Recommended oil is 10W-30.
- Check gasoline level.**
When adding gasoline, use a minimum octane rating of 85 and an ethanol content of 10% or less by volume.
- Turn the fuel cap vent lever to the **"ON"** position.
- Turn the fuel dial clockwise to the full **"ON"** position.
- Pull choke knob to **"CHOKE"** position.
- Pull the recoil cord.
- Push the choke knob to **"RUN"** position.
- Plug in desired device.

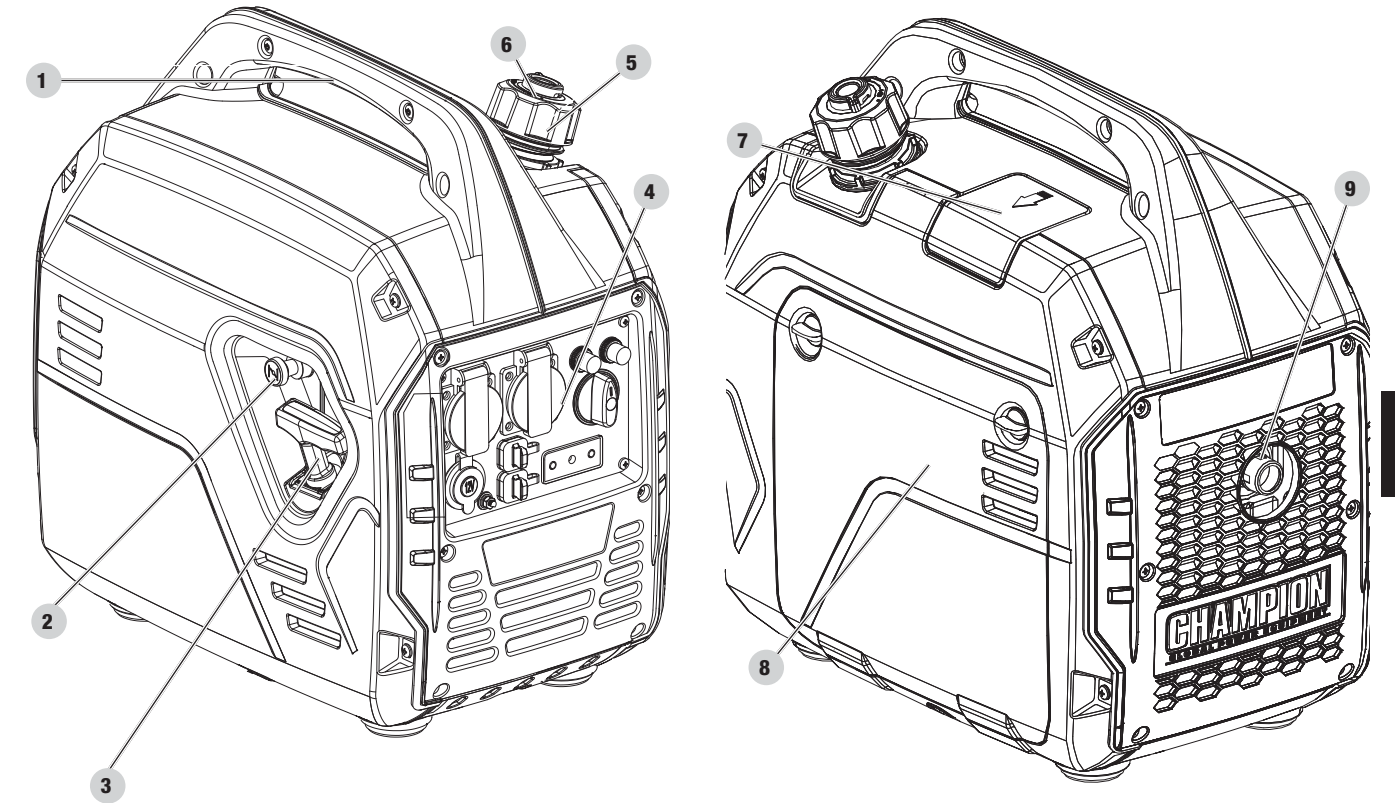
Stopping the Engine

- Turn off and unplug all connected electrical loads.
- Turn the fuel dial to the **"STOP"** position.

CONTROLS AND FEATURES

Read this operator's manual before operating your generator. Familiarize yourself with the location and function of the controls and features. Save this manual for future reference.

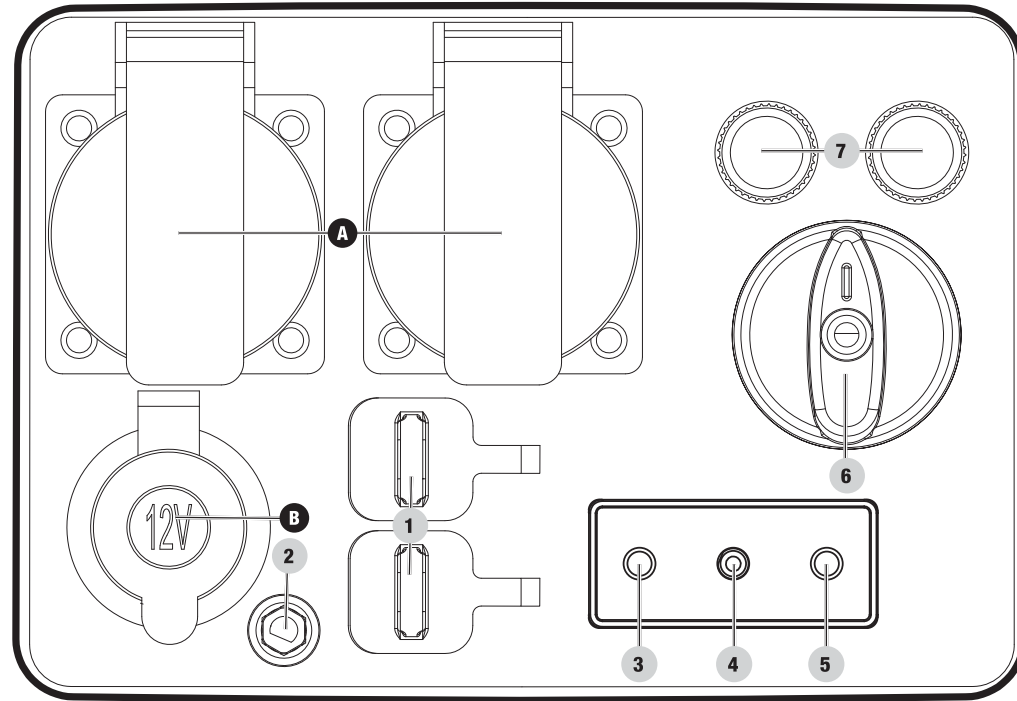
Generator





- Carrying Handle** – Used to lift or carry the unit.
- Choke** – Used to start a cold engine.
- Recoil Starter** – Used to manually start the engine
- Control Panel** – See *Control Panel* section.
- Fuel Cap** – Remove to add fuel.

- Fuel Lever Vent** – Turn this valve to the **"ON"** position to supply air to the tank.
- Spark Plug Access Cover**
- Maintenance Cover**
- Muffler**

Control Panel



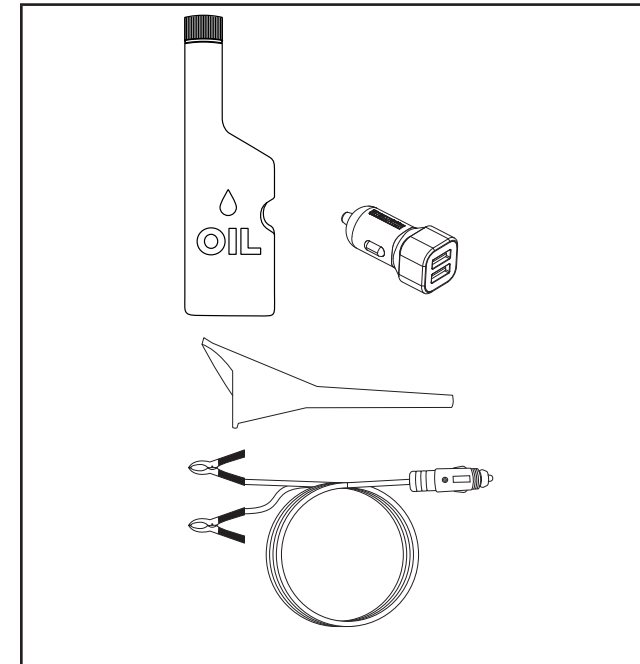
1. **Parallel Outlets** – Used for parallel operation (parallel kit sold separately).
2. **Ground Terminal** – Consult an electrician for local grounding regulations.
3. **AC Output Indicator Button** – Indicates when power is being delivered to receptacle.
 - 3a. Green – Systems Normal.
 - 3b. Red Constant– Overload Warning.
 - 3c. Red Flash– Overload Fault. Push to reset.
4. **Oil Warning Indicator Light** – When ON engine will shut down and not run. Check oil level.
5. **Economy Mode Button** – Enables/disables automatic idle control.
 - 5a. OFF – Economy Mode is OFF.
 - 5b. Green – Economy Mode is ON.
6. **Fuel Dial** – Used to start and stop the generator.
7. **Circuit Breakers (Push Reset)** – Protects the generator against electrical overloads.

RECEPTACLES	
A	 <p>2 x (220 V 16 A) Får användas för matning av elström för drift av 220 V AC, enfas, 50 Hz elektriska laster..</p>
B	 <p>12 V DC, 8 A (bilar) Får användas för matning av elström för drift av 12 V DC, 8 A elektriska laster..</p>

Delar som ingår

Tillbehör

- Engine Oil 16.9 fl. oz. (0.5 qt.)
- Oljetratt 1
- Dubbel 2.4A Port USB-adapter 1
- Battery Charging Cables 1



SV

MONTERING

Denna enhet levereras från vår fabrik utan olja. Den måste underhållas ordentligt med bränsle och olja innan den används.

Kontakta din lokala Champion-distributör om du har frågor om monteringen av din generator. Se till att ha ditt serienummer och modellnummer till hands.

Uppackning

1. Lägg leveransförpackningen på ett stabilt och plant underlag.
2. Ta bort allting ur kartongen förutom generatorm.
3. Använd bärhandtagen på enheten för att försiktigt lyfta ut generatorm ur lådan. Det rekommenderas att två personer lyfter samtidigt.

Fylla på motorolja

⚠ FÖRSIKTIGHET

Försök INTE starta eller dra igång motorn innan den har fyllts på ordentligt med olja av rekommenderad typ och volym. Skador på generatorm till följd av att dessa instruktioner inte har följts gör garantin ogiltig.

🗨 OBSERVERA

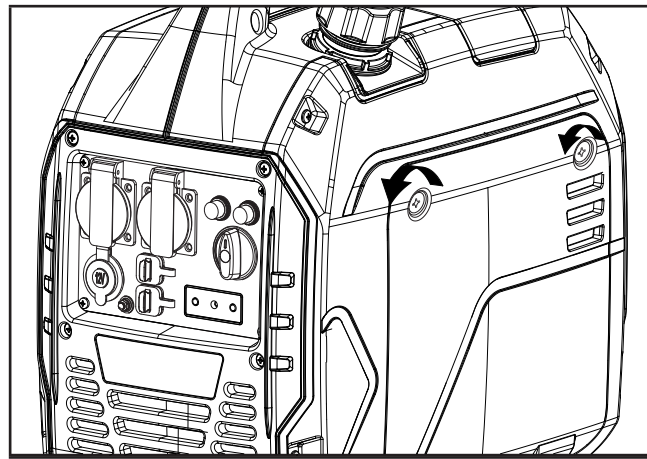
Generatorms rotor har ett förseglat, smörjt kullager som inte kräver någon ytterligare smörjning under kullagrets hela livslängd.

🗨 OBSERVERA

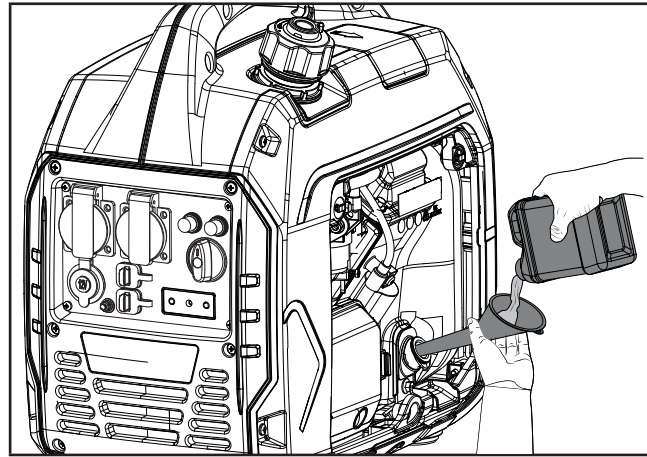
Den rekommenderade oljetypen är **10W-30 motorolja**.

Recommended Oil Type / Tipo de aceite recomendado / Type d'huile recommandé	
5W-30	10W-30
5W-30 Synthetic / Sintético / Synthétique	10W-40
°F -20 0 20 40 60 80 100 120	
°C -28.9 -17.8 -6.7 4.4 15.6 26.7 37.8 48.9	
Ambient temperature / Temperatura ambiente / Température ambiante	

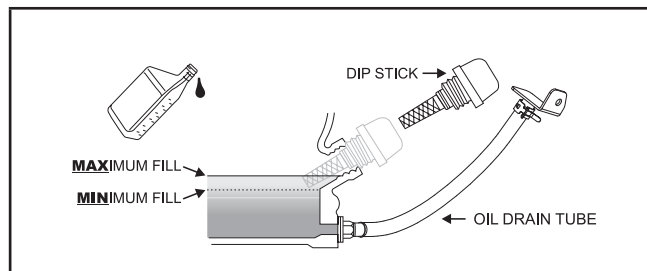
1. Lägg generatorm på ett plant och jämnt underlag.
2. Ta bort underhållsskyddet.



3. Ta bort oljelocket/oljesticka för att fylla på olja.
4. Fyll på olja (ingår inte) upp till 16.9 fl. oz. (0.5 qt.) med en tratt och sätt tillbaka oljelocket/oljesticka. ÖVERFYLL INTE.



5. Kontrollera oljenivån dagligen och fyll på vid behov.



🗨 OBSERVERA

Kontrollera att oljenivån är ett till tre gängvarv från att rinna ut ur påfyllningshålet när olja fyllts på.

Om du använder en oljesticka för att kontrollera oljan ska du INTE skruva fast oljesticka när du gör kontrollen.

🗨 OBSERVERA

Kontrollera oljan ofta under inkörningsperioden. Se avsnittet [Underhåll](#) för rekommenderat underhållsintervall.

⚠ FÖRSIKTIGHET

Motorn är utrustad med en lågnivåavstängning och kommer att stanna när oljenivån i växellådan sjunker under gränsvivån.

🗨 OBSERVERA

De första fem körtimmarna är inkörningsperiod för enheten. Kör på eller under 50 % av den nominella effekten under inkörningsperioden och variera belastningen då och då så att statorlindningen blir varm och svalnar. Genom att variera belastningen alterneras motorvarvtalet vilket hjälper kolringarna att sätta sig. Byt olja efter de första fem körtimmarna.


🗨 OBSERVERA

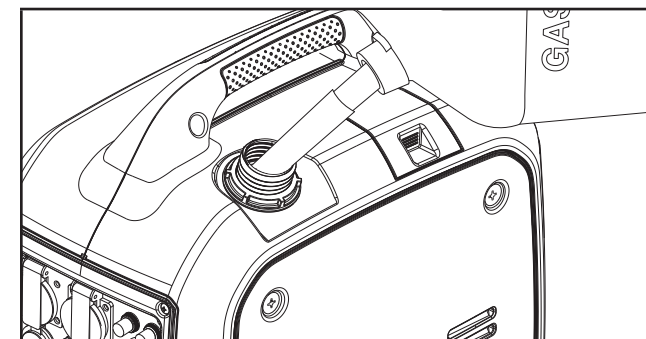
Vädret påverkar motorolja och dess prestanda. Byt motorolja efter väderleken för att passa motorms behov.

🗨 OBSERVERA

Syntetisk olja får användas efter de första fem timmarnas inkörningsperiod. Användning av syntetisk olja förlänger inte det rekommenderade intervallet för oljebyte. Helsyntetisk 5W-30-olja underlättar start i kalla miljöer < 5 °C (41 °F).

Fylla på bränsle

1. Använd ren, ny, blyfri bensin av standardtyp med ett lägsta oktantal på 85 och en etanolhalt på högst 10 % per volym. 
2. Blanda INTE olja och bensin.
3. Ta av bensinlocket.



4. Fyll långsamt på bensin i tanken. Tanken är full när bensin når upp till den röda cirkeln på skärmen. ÖVERFYLL INTE.

Bensin kan expandera efter påfyllning. Minst ¼ in. (6,4 mm) fritt utrymme i tanken krävs för expansion och mer än ¼ in. (6,4 mm) rekommenderas. Bensin kan strömma ut ur tanken till följd av expansion om tanken överfylls och det kan påverka generatorms driftstabilitet.

5. Skruva på bensinlocket och torka bort eventuellt spill

⚠ FÖRSIKTIGHET

Använd vanlig blyfri bensin med ett lägsta oktantal på 85 och en etanolhalt på högst 10 % per volym.

Blanda INTE olja och bensin.

Fyll upp tanken till ca ¼ in. (6,4 mm) från tankens överdel så att bensinen kan expandera.

Pumpa INTE in bensin direkt i generatorm vid pumpen. Använd en godkänd behållare för att fylla på bensin i generatorm.

Fyll INTE på tanken inomhus.

Fyll INTE tanken när motorn är igång eller är varm.

Överfyll INTE tanken.

Tänd INTE cigaretter eller rök när du fyller tanken.

⚠ VARNING

Att fylla på bensin för fort genom bränslesilen kan leda till att bensin sprutar ut på användaren under påfyllning.

🗨 OBSERVERA

Våra motorer fungerar bra med 10 % eller mindre etanolblandad bensin. Vid användning av etanol-/bensinblandningar är några saker värda att notera:

- Etanol-/bensinblandningar kan absorbera mer vatten än ren bensin.
- Dessa blandningar kan eventuellt separeras och lämna vatten eller en vattenliknande gegga i tanken, bränsleventilen och förgasaren.
- Med gravitationsmatad försörjning kan den förorenade bensinen sugas in i förgasaren och orsaka skada på motorn och/eller orsaka potentiell fara.
- Det finns bara ett fåtal leverantörer av bränslestabilisatorer som kan hantera etanol-/bensinblandningar.
- Tillverkarens garanti täcker inte skador eller faror som uppkommit genom användning av olämplig bensin, felaktigt förvarad bensin och/eller olämpligt sammansatta stabilisatorer.

Bensinmatningen bör alltid stängas av och motorn köras tills bränslet är helt slut. Tanken ska tömmas om utrustningen har stått oanvänd i mer än 30 dagar.

Jordning

Din generator måste vara korrekt ansluten till lämplig jord för att förhindra elstötar.

⚠ VARNING

Om generatoren inte jordas ordentligt kan det leda till elstötar.

Det finns en jordanslutning som är ansluten till generatorns ram (se [Reglage och funktioner](#) för information om var anslutningen sitter). Vid fjärrjordning ska en kraftig koppartråd (minst 12 AWG) anslutas mellan generatorns jordanslutning och en kopparstång köras ned i marken. Vi rekommenderar starkt att du anlitar en behörig elektriker för att säkerställa att lokala elektriska standarder följs.

Flytande neutral krets*

- Den neutrala kretsen **ÄR INTE** elektriskt ansluten till generatorns ram/jord.
- Generatoren (statorlindningen) är isolerad från ramen och från växelströmsuttagets jordningsstift.
- Elektriska enheter som kräver en anslutning med jordningsstift kommer inte att fungera om jordningsstiftet inte fungerar.

Neutral kopplad till ramen*

- Den neutrala kretsen **ÄR** elektriskt ansluten till generatorns ram/jord.
- Generatorns systemjord kopplas till det nedre tvärstaget under växelströmgeneratorn. Systemjorden är ansluten till AC-neutralledaren.

*Se din modells kontrollpanel för den specificerade typen av jordning.

ANVÄNDNING

Placering av generatoren

Använd ALDRIG generatoren inomhus. Detta innefattar garage, källare, kryputrymmen, förråd, inhägnader eller utrymmen samt generatorutrymmen i husbilar eller husvagnar. Hör med den lokala myndigheten. I vissa områden måste generatorer registreras hos det lokala elbolaget. Generatorer som används på byggplatser kan lyda under ytterligare lokala bestämmelser. Generatorer ska alltid stå på ett plant och jämnt underlag (även om de inte används). Generatorer måste ställas minst 5 ft. (1,5 m) från alla brännbara material. Utöver säkerhetsavståndet till alla brännbara material måste generatorerna även ha minst 3 ft. (91,4 cm) fritt utrymme på alla sidor för att möjliggöra avkyllning, underhåll och service. Generatorer får aldrig startas eller användas baktill på en SUV, husbil, släpvagn, på lastbilsflak (vanligt, platt eller på annat sätt), under trappor/trapphus, bredvid väggar eller byggnader eller på någon annan plats som inte möjliggör tillräcklig kylning av generatoren och/

eller ljuddämparen. Stäng INTE in generatorer under drift. Låt generatorer svalna ordentligt före transport eller förvaring.

Installera batteriförsörjda kolmonoxidlarm eller jackbara kolmonoxidlarm med reservbatteri i hemmet enligt tillverkarens anvisningar.

Ställ generatoren på en välventilerad plats. Placera INTE generatoren nära ventiler eller insug där avgaser kan sugas in i bebodda eller slutna utrymmen. Ta hänsyn till vind- och luftströmmar när du placerar generatoren.

Om korrekta säkerhetsåtgärder inte vidtas kan tillverkarens garanti upphöra.

⚠ VARNING

Använd eller förvara inte generatoren i regn, snö eller våt väderlek.

Att använda en generator eller elektrisk apparat under våta förhållanden som regn och snö eller i närheten av en pool eller ett sprinklersystem eller när dina händer är våta kan leda till dödliga elstötar.

⚠ VARNING

Under användning kommer ljuddämparen och avgaserna att bli varma. Om avkyllningen och luftutrymmet inte är tillräckligt eller om generatoren är blockerad eller blockerad kan temperaturerna bli extremt höga och orsaka eldsvåda.

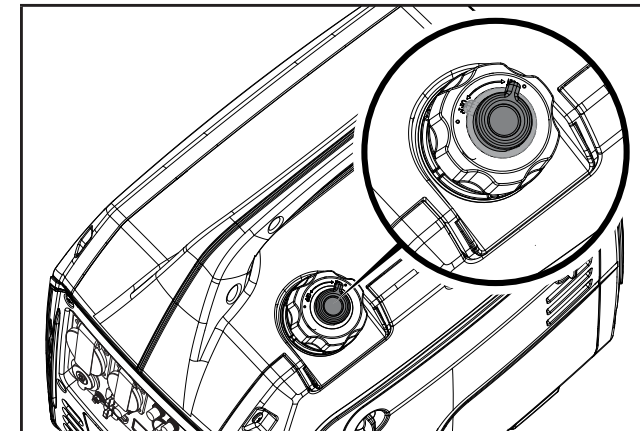
Spänningsskydd

Elektroniska enheter, inklusive datorer och många programmerbara apparater, använder komponenter som är utformade för att fungera inom ett begränsat spänningsintervall och de kan påverkas av tillfälliga variationer i spänningen. Trots att det inte finns något sätt att förhindra tillfälliga variationer i spänningen finns det sätt att skydda känslig utrustning.

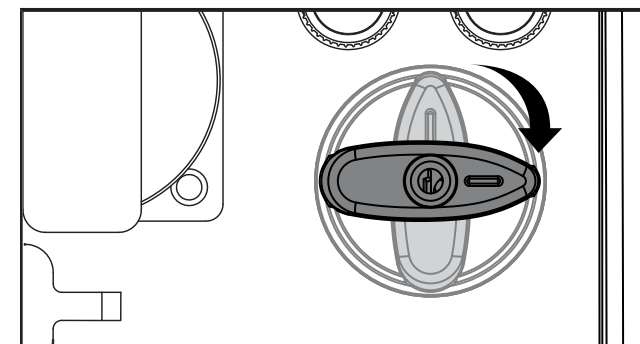
- Installera ett UL1449-godkänt (SS-EN 61643-11) överspänningsskydd på de uttag som matar ström till känslig utrustning. Överspänningsskydd finns som enkeluttag eller multiuttag. De är konstruerade för att skydda mot i princip alla kortvariga spänningsvariationer.

Starta motorn

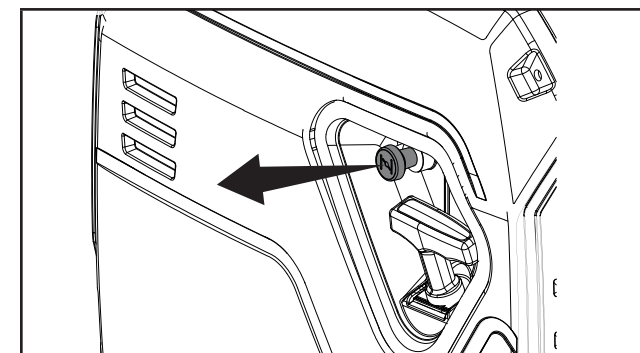
1. Se till att generatoren står på ett plant och jämnt underlag.
2. Koppla ur alla elektrisk laster från generatoren. Starta eller stanna inte generatoren när elektrisk utrustning är ansluten och påslagen.
3. Vrid bränslelockets ventilationsspak till läge "ON".



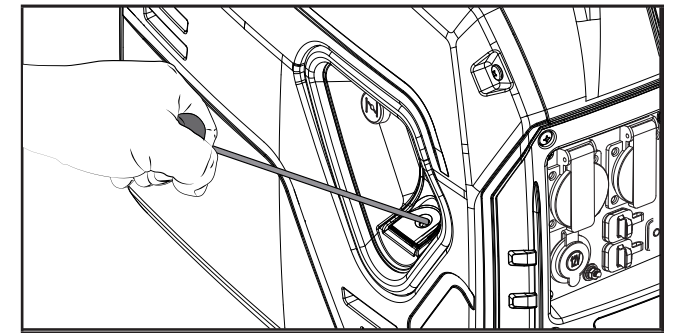
4. Turn the fuel dial clockwise to the full "ON" position.



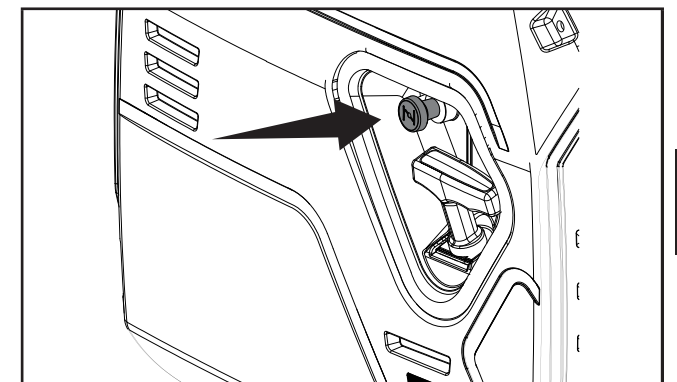
5. Pull choke knob out to the "CHOKE" position.



6. Dra i startsnöret långsamt tills det börjar ta emot och dra sedan till snabbt.



7. As engine warms up, push the choke knob in to the "RUN" position.



🗨 NOTICE

Keep choke lever in "CHOKE" position for only 1 pull of the recoil cord. After first pull, press the choke knob in to the "RUN" position for up to the next 3 pulls of the recoil cord. Too much choke leads to spark plug fouling/engine flooding due to the lack of incoming air. This will cause the engine not to start.

🗨 NOTICE

For gasoline restarts with hot engine in hot ambient > 86°F (30°C): If generator does not start after the first pull, press the choke knob in to the "RUN" position for the next 3 pulls. Too much choke leads to spark plug fouling/engine flooding due to the lack of incoming air. This will cause the engine not to start.

🗨 NOTICE

For gas starting in cold ambient < 59°F (15°C): The choke must be in 100% of the "CHOKE" position for manual start procedures. Do not over-choke. As soon as engine starts, push the choke knob in to the "RUN" position.

OBSERVERA

Om motorn startar men inte fortsätter att gå, ska du kontrollera att generatoren verkligen står på ett plant och jämnt underlag. Motorn är försedd med en sensor för låg oljenivå som förhindrar att motorn körs när oljenivån kommer under den kritiska nivån.

Anslutning av elektriska laster

Låt motorn stabiliseras och varmköras i några minuter efter start.

Koppla in och starta de önskade 220 eller 240 V (i förekommande fall), AC enfas, 50 Hz elektriska lasterna.

- Anslut INTE trefaslaster till generatoren.
- Anslut INTE 60 Hz-laster till generatoren.
- Överbelasta INTE generatoren.

⚠ VARNING

Att ansluta en generator till ditt elnät eller till någon annan kraftkälla kan strida mot lagen. Förutom detta kan det, om det görs felaktigt, skada din generator och dina apparater och dessutom orsaka allvarlig skada eller t.o.m. död för dig eller eventuella elektriker eller andra som arbetar på närliggande kraftledningar. Om du tänker köra en portabel elektrisk generator under ett strömavbrott ska du meddela ditt elbolag omedelbart. Observera att dina apparater ska anslutas direkt till generatoren. Koppla inte in generatoren i något uttag i ditt hem. Att göra detta kan skapa en koppling till elbolagets kraftledningar. Du är ansvarig att se till att din generators elektricitet inte kopplas tillbaks in i elbolagets kraftledningar.

Om generatoren ska kopplas till en byggnads elsystem ska du rådfråga ditt lokala elbolag eller en kvalificerad elektriker. Anslutningar måste isolera generatorkraften från kraften i elnätet och måste dessutom följa alla gällande lagar och regler.

Överbelasta inte generatoren**Kapacitet**

Följ dessa enkla steg för att räkna ut vilken mängd watt som krävs för drift och start av den utrustning du vill köra:

1. Välj de elektriska enheter som du tänker köra samtidigt.
2. Summera effektvärdena för dessa enheter. Detta är den effekt du behöver för att hålla dina enheter igång.
3. Fastställ den högsta starteffekten för alla enheter som identifierades under steg 1. Lägg till detta tal till summan du fick ihop i steg 2. Starteffekten är den extra effekt som behövs för att starta viss elektriskt driven utrustning. Följ

stegen i stycket "Effekthantering" för att säkerställa att endast en enhet i taget startas.

Strömhantering

Använd följande formel för att omvandla spänning och strömstyrka till watt:

$$\text{Volt} \times \text{ampere} = \text{watt}$$

Följ dessa steg för att förlänga livslängden på din generator och på inkopplade enheter när du ökar på den elektriska belastningen:

1. Starta generatoren utan någon elektrisk last inkopplad.
2. Låt motorn gå i några minuter för att stabiliseras.
3. Koppla in och starta den första enheten. Det är bäst att ansluta den enhet som ger störst last först.
4. Låt motorn stabilisera sig.
5. Koppla in och starta nästa enhet.
6. Låt motorn stabilisera sig.
7. Upprepa steg 5-6 för varje extra enhet.

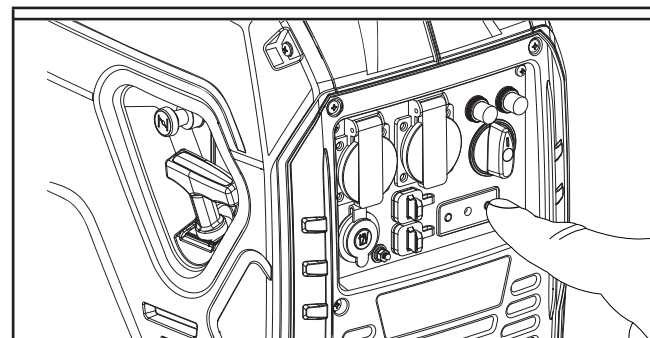
OBSERVERA

Överskrid aldrig den angivna kapaciteten när du kopplar in laster till generatoren.

Eko (ekonomiläge)

Omkopplaren för ekoläge kan aktiveras för att minimera bränsleförbrukning och buller när du använder enheten under perioder med minskad elektrisk utteffekt. Med ekoläget går motorn på tomgång under perioder då den inte används.

Motorvarvtalet återgår till normal nivå när en elektrisk last ansluts. När omkopplaren för ekoläge stängs av går motorn kontinuerligt med normalt varvtal.

**⚠ FÖRSIKTIGHET**

Under perioder med hög elektrisk belastning eller tillfälliga strömvariationer ska ekoläget vara avstängt.

12 V DC-uttag av biltyp

12 V DC-uttaget/uttagen kan användas med tillhandahållna tillbehör och andra 12 V DC-kontakter för bilar som finns i handeln. Likströmsuttaget är reglerat och kan skada vissa produkter. Kontrollera att enhetens inspänningsintervall är minst 12–24 V DC. Stäng av ekonomiläget när du använder likströmsuttaget.

⚠ VARNING

Använd inte enheten när den är ansluten till 12 V-likströmsuttaget.

Långvarig exponering för motoravgaser kan orsaka allvarliga skador och död.

⚠ FÖRSIKTIGHET

När en enhet laddas ska den inte placeras på generatorns avgassida. Extrem hetta som orsakas av avgaser kan skada enheten och utgöra en möjlig brandrisk.

Batteriladdning

1. Innan batteriladdningskabeln (medföljer inte) ansluts till ett batteri som är installerat i ett fordon ska batterijordkabeln kopplas från den negativa batteripolen (-).
2. Anslut batteriladdningskabeln till generatorns 12 V DC-uttag.
3. Anslut den röda (+) batteriladdningskabeln till den röda (+) batteripolen.
4. Anslut den svarta (-) batteriladdningskabeln till den svarta (-) batteripolen.
5. Starta generatoren.

Viktigt: 12 V DC-uttaget är inte reglerat och kan skada andra 12 V DC-produkter. När 12 V DC-uttaget används ska strömbrytaren för ekonomiläget vridas till läget OFF. Se till att alla elektriska enheter inklusive ledningarna och kontaktanslutningarna är i gott skick innan de ansluts till generatoren.

⚠ FÖRSIKTIGHET

Starta inte fordonet medan batteriladdningskabeln är ansluten och generatoren är igång. Batteriet får inte ett effekttillskott. Fordonet eller generatoren kan skadas. Ladda endast ventilerade våta blysyrebatterier. Andra typer av batterier kan spricka och orsaka personskador eller materiella skador.

OBSERVERA

Se till att alla elektriska enheter inklusive ledningarna och kontaktanslutningarna är i gott skick innan de ansluts till generatoren.

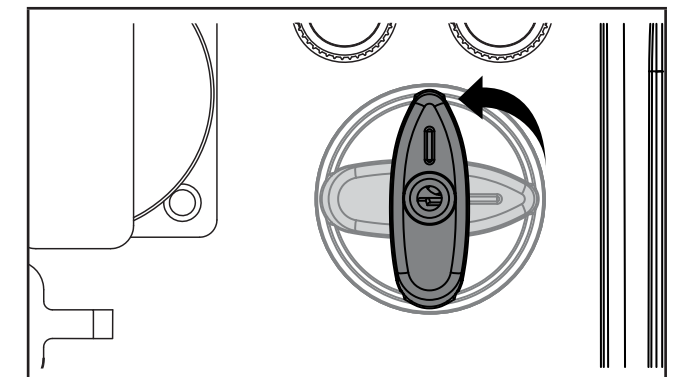
Parallell användning

Denna Champion-modell är redo för parallell användning och kan användas parallellt med en annan Champion-enhet för att öka den sammanlagda tillgängliga effekten. Ett Champion-parallellpaket (extra utrustning) krävs för parallell användning. Kontakta din lokala Champion-återförsäljare för att få en lista med kompatibla modeller eller för att beställa ett parallellpaket.

Detaljerade anvisningar för installation av parallellpaket och drift av de anslutna generatorerna finns i parallellpaketets ägarmanual.

Stänga av motorn

1. Stäng av och koppla ur alla elektriska laster. Starta eller stanna inte generatoren när elektrisk utrustning är ansluten och påslagen.
2. Låt generatoren köras utan belastning i några minuter för att stabilisera den interna temperaturen i motorn och generatoren.
3. Turn the fuel dial counter-clockwise to the STOP position.



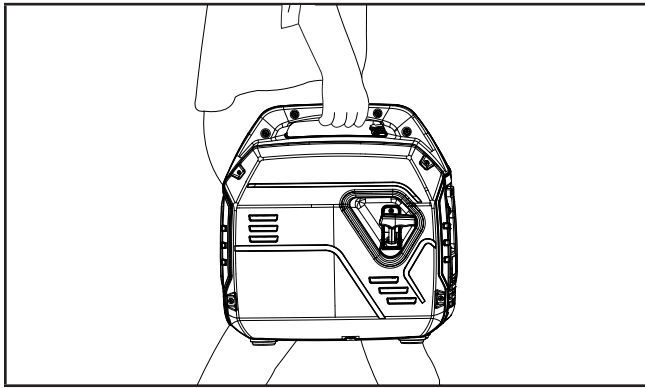
Important: Always ensure that the fuel dial and fuel lever vent are in the "OFF" position when the generator is not in use.

OBSERVERA

Se avsnittet [Förvaring](#) för information om korrekt förvaring av motor och bränsle om motorn inte ska användas under period på två (2) veckor eller längre.

Moving the Generator

- ALWAYS turn the generator off and ensure the fuel valve is closed.
- ALWAYS make sure engine and muffler are cooled down before the generator can be handled safely (typically 15-30 minutes).
- Lift unit up by the carrying handle and move to the desired location.
- Do not drop or strike unit or place under heavy objects.
- Failure to follow these instructions could result in personal injury or damage to the generator.



Operation at High Altitude

The density of air at high altitudes is lower than at sea level. Engine power is reduced as the air mass and air-fuel ratio decrease. Engine power and generator output will be reduced approximately 3½% for every 1000 ft. of elevation above sea level. At high altitudes increased exhaust emissions can also result due to the increased enrichment of the air fuel ratio. Other high altitude issues can include hard starting, increased fuel consumption and spark plug fouling.

To alleviate high altitude issues other than the natural power loss, CPE can provide a high altitude carburetor main jet. The alternative main jet and installation instructions can be obtained by contacting our Technical Support Team. Installation instructions are also available in the Technical Bulletin area of the CPE website.

The part number and recommended minimum altitude for the application of the high altitude carburetor main jet is listed in the following table.

In order to select the correct high altitude main jet it is necessary to identify the carburetor model. For this purpose, a code is stamped on the side of the carburetor. Select the correct high altitude jet part number corresponding to the carburetor code found on your particular carburetor.

⚠ WARNING

Operation using the alternative main jet at elevations lower than the recommended minimum altitude can damage the engine. For operation at lower elevations, the originally supplied standard main jet must be used. Operating the engine with the wrong engine configuration at a given altitude may increase its emissions and decrease fuel efficiency and performance.

UNDERHÅLL

Se till att generatoren hålls ren och att den förvaras på lämpligt sätt. Använd endast enheten på ett plant, jämnt underlag i en ren, torr användningsmiljö. Utsätt INTE enheten för extrema förhållanden, onormalt mycket damm, smuts, fukt eller korrosiva ångor.

⚠ VARNING

Använd eller kör aldrig en skadad eller trasig generator.

⚠ VARNING

Olämpligt underhåll medför att garantin slutar gälla.

🗨 OBSERVERA

Underhåll, byte av delar eller reparation av avgaskontrollanordningar kan göras av valfri motorreparationsverkstad (ej fordonsverkstad) eller person.

Ägaren/användaren är ansvarig för allt periodiskt underhåll.

Genomför allt underhåll på utsatt tid.

Åtgärda alla problem innan generatoren används.

Rengöring av generatoren

⚠ FÖRSIKTIGHET

Spruta INTE vatten på motorn.

Vatten kan komma in i generatoren via kylöppningarna och skada generatorns lindningar. Vatten kan även förorena bränslesystemet.

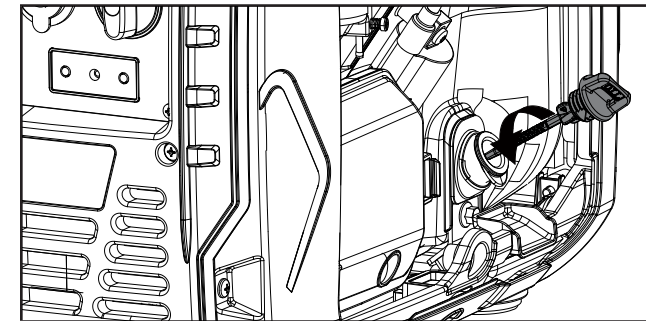
1. Använd en fuktig trasa för att rengöra utsidan av generatoren.
2. Använd en mjuk borste för att ta bort smuts och olja.
3. Använd en luftkompressor (25 PSI) för att ta bort smuts och skräp från generatoren.
4. Inspektera alla luftventiler och kylöppningarna för att säkerställa att de är rena och inte är blockerade.

För att förebygga oavsiktlig start av motorn ska tändstiftskabeln tas bort innan någon typ av underhåll utförs. Se till att tändstiftskabelns ände inte har kontakt med någon metalldel.

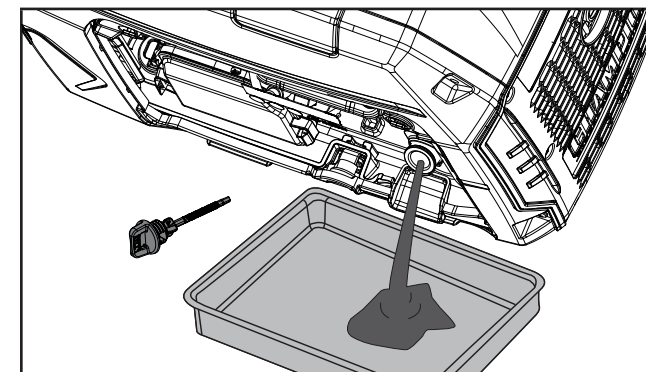
Byte av motorolja.

Byt olja när motorn är varm. Se oljespecifikationen för att välja rätt oljekvalitet för din användningsmiljö.

1. Ställ generatoren på en arbetsbänk eller ett bord.
2. Ta bort underhållsskyddet.
3. Ta bort påfyllningslocket för olja



4. Luta generatoren åt ena sidan och låt all olja rinna ut.



5. Tillsätt olja enligt "Fylla på motorolja" i avsnittet Montering. ÖVERFYLL INTE. Olja som inte ingår i rutinunderhåll.

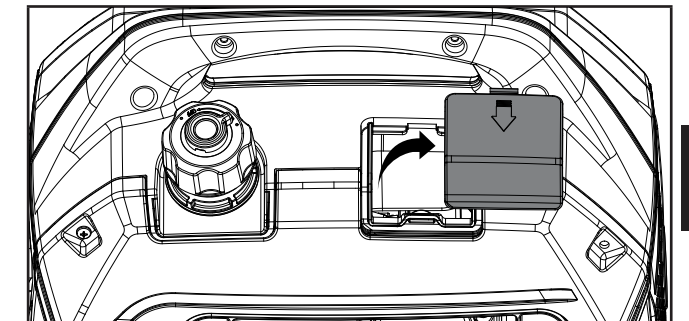
6. Sätt tillbaka underhållsskyddet.
7. Avfallshandtera använd olja vid en godkänd avfallshandlingsstation.

🗨 OBSERVERA

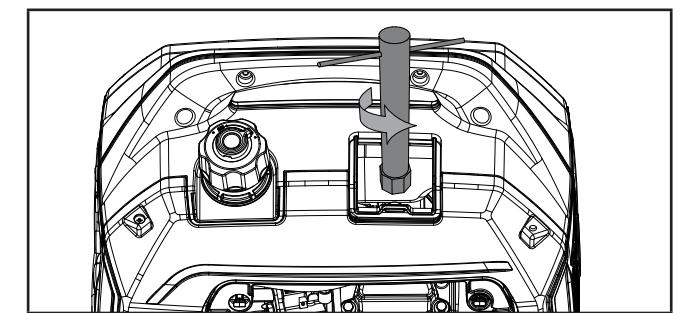
Kontrollera att oljenivån är ett till tre gängvarv från att rinna ut ur påfyllningshålet när olja fyllts på. Om du använder en oljesticka för att kontrollera oljan ska du INTE skruva fast oljestickan när du gör kontrollen.

Rengöring och justering av tändstift

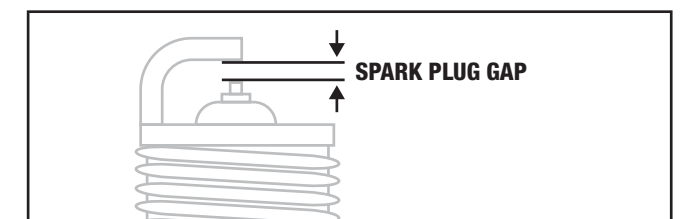
1. Ta bort underhållsskyddet.
2. Remove spark plug access cap from the top panel.



3. Ta bort tändstiftskabeln från tändstiftet.
4. Använd ett tändstiftsnyckel (medföljer inte) eller en 13/16 in. (21 mm) hylsa (medföljer inte) för att ta bort tändstiftet.



5. Kontrollera elektroden på tändstiftet. Den måste vara ren och får inte vara sliten för att kunna alstra den gnista som krävs för tändning.
6. Kontrollera att tändstiftsgapet är 0.024 - 0.031 in. (0.6 - 0.8 mm).

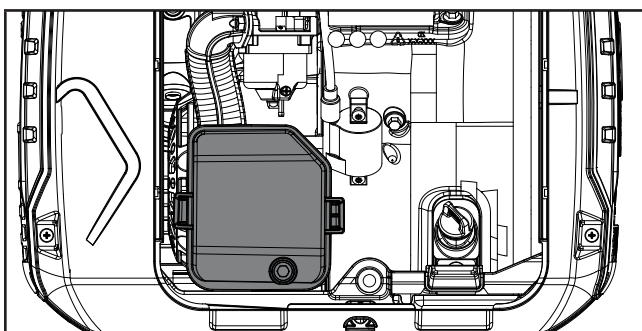


7. Se typer av tändstift i [Specifikationer](#) vid byte av tändstift.

8. Dra åt tändstiftet ordentligt igen.
9. Fäst tändstiftskabeln vid tändstiftet.
10. Sätt tillbaka underhållsskyddet.

Rengöring av luftfilter

1. Ta bort underhållsskyddet.
2. Lokalisera luftfiltrets plastlock. Skruva ur skruven med en stjärnskruvmejsel.



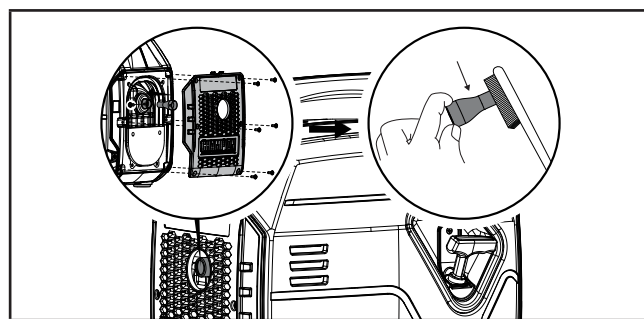
3. Ta bort skumelementet.
4. Tvätta i flytande rengöringsmedel och vatten. Vrid ur ordentligt i en torr trasa.
5. Dränk i ren motorolja.
6. Kläm ihop i en torr, sugande trasa för att ta bort all överflödiga olja.
7. Sätt tillbaka filtret i komponenten.
8. Montera luftfilterlocket igen.
9. Sätt tillbaka underhållslocket och dra åt lockets skruvar.

CAUTION

The filter element may contain PAHs, PAHs are harmful for your health. Please wear gloves for protection during air filter maintenance.

Rengöring av gnistskyddet

1. Låt motorn svalna helt innan du utför underhåll på gnistskyddet.
2. Remove the 6 screws holding the cover plate on the muffler side of the generator.
3. Remove the screw which retains the spark arrestor to the muffler.
4. Ta bort gnistskyddets skärm.
5. Ta försiktigt bort kolrester från gnistskyddets skärm med en stålborste.



6. Ersätt gnistskyddet om det är skadat.
7. Sätt gnistskyddet på ljuddämparen och sätt fast genom att utföra ovanstående steg i omvänd ordning.

FÖRSIKTIGHET

Om gnistskyddet inte rengörs påverkas motorens prestanda negativt.

OBSERVERA

Federala och lokala lagar och administrativa krav anger när och var gnistskydd ska användas. Om så anges, krävs gnistskydd om den här generatoren används i National Forest-länder. I Kalifornien får denna generator inte användas på platser med skog, buskar eller gräs om inte motorn är utrustad med gnistskydd.

Justering av skyddet

VARNING

Om den fabriksinställda regulatören manipuleras slutar garantin att gälla.

Luft-/bränsleblandningen är inte justerbar. Om regulatören manipuleras kan det skada din generator och dina elektriska apparater och medför att garantin slutar gälla.

Underhållsschema

Följ de underhållsintervall som anges i följande underhållsschema.

Genomför underhåll på din generator oftare om den används under ogynnsamma förhållanden.

VAR ÅTTONDE TIMME ELLER DAGLIGEN

- ☐ Kontrollera oljenivån
- ☐ Rengör runt luftintaget och ljuddämparen

DE FÖRSTA FEM TIMMARNÄ

- ☐ Byt olja

VAR 50:E TIMME ELLER VARJE SÄSONG

- ☐ Rengör luftfiltret
- ☐ Byt olja om generatoren används med kraftig belastning eller i varma miljöer.

VAR 100:E TIMME ELLER VARJE SÄSONG

- ☐ Byt olja
- ☐ Rengör/justera tändstiftet
- ☐ Kontrollera/justera ventilspelet*
- ☐ Rengör gnistskyddet
- ☐ Rengör bränsletanken och filtret*

VAR 250:E TIMME

- ☐ Rengör förbränningskammaren*

VART TREDJE ÅR

- ☐ Byt ut bränsleslangen*

*Ska utföras av kunniga, rutinerade ägare eller av CPE-certifierade serviceverkstäder.

FÖRVARING

FARA

Bensin och bensinångor är mycket brandfarliga och extremt explosiva.

Brand eller explosion kan orsaka allvarliga brännskador eller dödsfall. Fyll eller töm endast bränsle utomhus på en väl ventilerad plats. Pumpa INTE in bensin direkt i generatoren. Använd en godkänd behållare för att fylla på bränslet i generatoren. Använd aldrig en bensinbehållare, bensintank eller annan bränslebehållare som är skadad eller verkar vara skadad. Överfyll INTE bensintanken. Se alltid till att hålla bränsle borta från gnistor, öppen eld, glöd, hetta eller andra antändningskällor. Tänd INTE eller rök cigaretter.

Kortvarig lagring (upp till ett år)

Bensin i bensintanken har en maximal livslängd på ett år vid tillsättning av lämpliga bränslestabilisatorer och förvaras på en sval och torr plats. Bensin i förgasaren kan emellertid stelna och sätta igen den om den inte används eller töms inom 2 till 4 veckor.

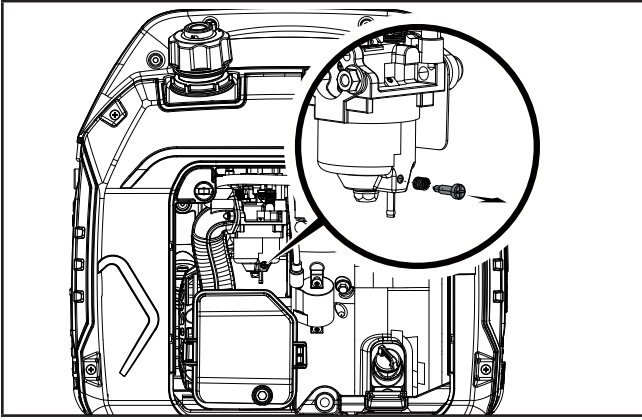
1. Se till att alla apparater är frånkopplade från generatoren.
2. Fyll på en lämplig bränslestabilisator i bensintanken.
3. Starta motorn enligt anvisningarna i avsnittet "Starta motorn".
4. Kör generatoren i 10 gånger så att det behandlade bränslet cirkulerar i bränslesystemet och förgasaren.
5. Stanna motorn enligt anvisningarna i avsnittet "Stanna motorn".
6. Låt motorn svalna.
7. Ta bort underhållsskyddet.
8. Ta bort tändstiftet och håll i ca en matsked olja i cylindern.
9. Dra LÅNGSAMT i dragsnöret för att motorn ska rotera och fördela smörjmedel och smörja cylindern.
10. Sätt tillbaka tändstiftet och tändstiftskabeln.
11. Sätt tillbaka underhållsskyddet.
12. Rengör generatoren enligt avsnittet Rengöra generatoren.
13. Förvara generatoren på en sval, torr plats och inte i direkt solljus.

Långvarig förvaring (mer än 1 år)

Vid förvaring i mer än 1 år ska bensintanken och förgasaren tömmas helt på bensin.

1. Se till att alla apparater är frånkopplade från generatoren.
2. Sätt invertern på block så att en lämplig bensinbehållare eller ett tråg kan skjutas in under invertern.

3. Ta bort underhållsskyddet.
4. Turn the fuel dial clockwise to the full "RUN" position.
5. Skruva avtappningsskruven moturs (3) hela varv med en stjärnskruvmejsel. Bensin rinner ut ur den genomskinliga slangen under invertern. Se till att den uttrinnande bensinen samlas upp i en lämplig behållare.



6. När bensinen slutar att rinna ur den genomskinliga slangen ska avtappningsskruven vridas medurs tills den sitter tätt. Avtappad bensin ska avfallshanteras enligt lokala bestämmelser eller riktlinjer.
7. Turn the fuel dial to the "STOP" position.
8. Följ steg 8-12 enligt [Kortvarig lagring](#).

Ra ut ur lagring

Om generatören har varit felaktigt lagrad under en lång tid med bensin i bensintanken och/eller förgasaren måste allt bränsle tappas av och förgasaren rengöras noggrant. Denna process innefattar tekniskt avancerade arbetsuppgifter. Kontakta din lokala Champion-återförsäljare för hjälp.

Om bensintanken och förgasaren har tömts ordentligt på all bensin innan generatören lades i lager ska nedanstående steg utföras när utrustningen tas ur förvaring.

1. Se till att vredet Fuel Dial är i läget STOP.
2. Fyll på bensin i generatören enligt [Fylla på bränsle: bensin](#).
3. Vrid vredet Fuel Dial till läget START.
4. Kontrollera området vid förgasaren och luftfiltret beträffande bensinläckage. Om läckage konstateras ska förgasaren tas bort och rengöras eller bytas. Om inga bensinläckor konstateras ska vredet EZ Start vridas till läget STOP.
5. Kontrollera motoroljenivån och fyll på ren, ny olja vid behov. Se [Oljespecifikationer](#) för att se vilken typ av olja som behövs.
6. Kontrollera och rengör luftfiltret beträffande igensättning genom till exempel skalbaggar eller spindelnät. Vid behov ska luftfiltret rengöras enligt [Rengöring av luftfiltret](#).
7. Starta generatören enligt [Starta motorn](#).

⚠ FARA

Generatoravgaser innehåller kolmonoxid som är en färglös, doftfri, giftig gas.

För att undvika oavsiktlig tändning av generatören under lagring ska följande försiktighetsåtgärder vidtas:

- När generatören lagras måste du se till att vredet EZ Start är i läget OFF.

Transportation

To prevent fuel spillage when transporting or during temporary storage, the washer should be secured upright in its normal operating position, with the engine switch OFF. The fuel valve lever should be turned OFF.

⚠ WARNING

When transporting:

Do not overfill the tank. Do not operate the washer while it is on vehicle. Take the washer off the vehicle and use it in a well-ventilated place. Avoid a place exposed to direct sunlight when putting the washer on a vehicle. If the washer is left in an enclosed vehicle for many hours, high temperature inside the vehicle could cause fuel to vaporize resulting in a possible explosion. Do not drive on a rough road for an extended period with the washer on board. If you must transport the washer on a rough road, drain the fuel from the washer beforehand.

SPECIFIKATIONER

Specifikationer för generatören

Generatormodell	92001i-EU
Starttyp	Manual
Watt (start-/drifteffekt)	2500/1900
AC volt	220
AC ampere	14.2
DC volt	12
DC ampere	8
Frekvens	50 Hz
Max site altitude of installation	1000m
Measured sound pressure level	58dB(A)
Fas	Single
Grounding Type	Floating Neutral
Bruttovikt	39.5 lb. (17.9 kg)
Längd	20.5 in. (52 cm)
Bredd	13 in. (32 cm)
Höjd	17.7 in. (45 cm)

Motorspecifikationer

Modell	148F-D
Cylindervolym	79 cc
Typ	fyrtakts OHV

Tändstiftsspecifikationer

OEM-typ	TORCH E5T
Gap	0.024 - 0.031 in. (0.6 - 0.8 mm)

Ventilspecifikationer

Insugsspel	0.004-0.006 in. (0.10-0.15 mm)
Avgasspel	0.006-0.008 in. (0.15-0.20 mm)

🗨 OBSERVERA

En teknisk bulletin angående ventiljusteringsförfaranden finns på www.championpowerequipment.com.

Oljespecifikationer

ÖVERFYLL INTE.

Typ *Se nedanstående tabell
Kapacitet 16.9 fl. oz. (0.5 qt.)

Recommended Oil Type / Tipo de aceite recomendado / Type d'huile recommandé								
		10W-30						
5W-30				10W-40				
5W-30 Synthetic / Sintético / Synthétique								
°F	-20	0	20	40	60	80	100	120
°C	-28.9	-17.8	-6.7	4.4	15.6	26.7	37.8	48.9
Ambient temperature / Temperatura ambiente / Température ambiante								

🗨 OBSERVERA

Vädret påverkar motoroljan och dess prestanda. Byt motoroljetyp efter väderleken för att passa motorns behov.

Bränslespecifikationer

Använd vanlig blyfri bensin med ett lägsta oktantal på 85 och en etanolhalt på högst 10 % per volym. ANVÄND INTE E15 eller E85. ÖVERFYLL INTE.

Bensinkapacitet 1.1 gal. (4 L)

Temperaturspecifikationer

Starttemperaturintervall (°F/°C) 5 to 104/-15 to 40

🗨 OBSERVERA

Viktig information om temperatur: Din produkt är konstruerad och klassad för kontinuerlig drift vid omgivningstemperaturer upp till 40 °C (104 °F). Vid behov kan din enhet användas vid temperaturer från -15 °C (5 °F) till 50 °C (122 °F) under korta tidsperioder. Om den utsätts för temperaturer utanför detta intervall under förvaring ska den återföras till detta temperaturintervall före drift. Produkten ska alltid användas utomhus, på en välventilerad plats och på avstånd från dörrar, fönster och ventiler.

TROUBLESHOOTING

Problem	Cause	Solution
Generatorn startar inte.	Inget bränsle.	Fyll på bränsle.
	Defekt tändstift.	Byt ut tändstiftet.
	Låg oljenivå.	Fyll på vevhuset till lämplig nivå.
		Sätt generatorn på ett plant och jämnt underlag.
	Spark plug wire loose.	Attach wire to spark plug.
	Fuel valve is closed.	Open fuel valve.
	Old fuel or water in fuel.	Drain fuel and replace with fresh fuel.
Flooded with fuel.	Let unit stand for 10 mins.	
Generatorn startar men går ojämnt.	Choken står i fel läge.	Justera choken.
	Dirty air filter.	Clean or replace air filter.
	Dirty fuel valve.	Clean the fuel valve.
	Clogged spark arrestor.	Clean spark arrestor.
Generatorn stängs av under drift.	Slut på bränsle.	Fyll bränsletanken.
	Låg oljenivå.	Fyll på vevhuset till lämplig nivå. Sätt generatorn på ett plant och jämnt underlag.
	Clogged spark arrestor.	Clean spark arrestor.
Generatorn alstrar inte tillräckligt med ström eller överhettas.	Generatorn är överbelastad.	Kontrollera belastningen och justera. Se "Anslutning av elektriska laster".
	Dirty air filter.	Clean or replace air filter.
	Choke in wrong position.	Move choke until it stops under RUN position or push in completely.
Ingen växelströmsutmatning.	Kabeln är inte korrekt ansluten.	Kontrollera alla anslutningar.
	Kretsbrytaren är öppen.	Återställ kretsbrytaren.
	Lösa kablar.	Kontrollera och sätt fast kabelanslutningarna.
	Övrigt.	Kontakta hjälplinjen.
Generatorn rusar.	Motorregulatorn är defekt.	Kontakta hjälplinjen.
	Dirty fuel valve.	Clean the fuel valve.
	Carburetor is dirty and running lean.	Contact the help line.
	Choke in wrong position.	Move choke until it stops under RUN position or push in completely.
Kretsbrytaren utlöses upprepade gånger.	Överbelastning.	Kontrollera belastningen och justera. Se "Anslutning av elektriska laster".
	Defekta kablar eller defekt enhet.	Kontrollera beträffande skadade, frilagda eller fransiga kablar. Byt ut den defekta enheten.
	Circuit breaker still too hot.	Let unit sit for 5 mins.

EINFÜHRUNG

Herzlichen Glückwunsch zum Kauf Ihres Wechselrichtergenerators. Bitte befolgen Sie diese Anweisungen und pflegen Sie sie korrekt.

DIESES BUCH

Wir behalten uns das Recht vor, das Produkt und dieses Handbuch ohne vorherige Ankündigung zu ändern, zu modifizieren oder zu verbessern.

Notieren Sie sich die Modell- und Seriennummern sowie Datum und Ort des Kaufs zur späteren Verwendung. Halten Sie diese Informationen bei der Bestellung von Teilen und bei technischen oder Garantieforderungen bereit.

CPE TECHNISCHES SUPPORTTEAM
MODELLNUMMER
SERIENNUMMER
KAUFDATUM
KAUFORT

SICHERHEITSD DEFINITIONEN

Bitte machen Sie sich mit den folgenden Symbolen vertraut. Das Sicherheitssymbol und die Schlüsselwörter sind Sicherheitshinweise. Befolgen Sie alle Sicherheitshinweise, um Unfälle oder Verletzungen zu vermeiden.

GEFAHR

GEFAHR weist auf eine gefährliche Situation hin, die, wenn sie nicht vermieden wird, zu Tod oder schweren Verletzungen führt.

WARNUNG

WARNUNG weist auf eine gefährliche Situation hin, die, wenn sie nicht vermieden wird, zu Tod oder schweren Verletzungen führen kann.

VORSICHT

VORSICHT weist auf eine gefährliche Situation hin, die, wenn sie nicht vermieden wird, zu leichten oder mittleren Verletzungen führen kann.

HINWEIS

HINWEIS wird verwendet, um Praktiken zu behandeln, die nicht mit Personenschäden zusammenhängen.

WICHTIGE SICHERHEITSHINWEISE

⚠ GEFAHR

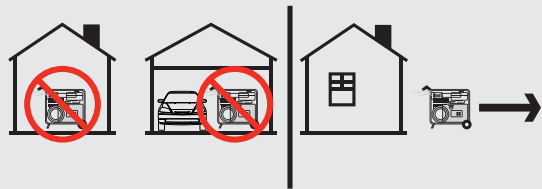
Das Abgas des Generators enthält Kohlenmonoxid, ein farbloses, geruchloses Giftgas. Die Atmung von Kohlenmonoxid verursacht Übelkeit, Schwindel, Ohnmacht oder Tod. Wenn Sie sich schwindelig oder schwach fühlen, gehen Sie sofort an die frische Luft.

BETREIBEN SIE DEN GENERATOR IM FREIEN NUR IN EINEM GUT BELÜFTETEN BEREICH.

Betreiben Sie den Generator NICHT in einem Gebäude, einschließlich Garagen, Kellern, Kriechräumen und Schuppen, einem Gehäuse oder Abteil, einschließlich des Generatorraums eines Freizeitfahrzeugs. Lassen Sie KEINE Abgase durch Fenster, Türen, Lüftungsschlitze oder andere Öffnungen in einen engen Bereich gelangen.

⚠ GEFAHR

Die Verwendung eines Stromerzeugers in geschlossenen Räumen kann Sie innerhalb weniger Minuten töten. Die Stromerzeuger- Abgase enthalten Kohlenmonoxid. Dieses Gift kann man weder sehen noch riechen.

NIEMALS im Haus oder in der Garage verwenden - AUCH NICHT bei geöffneten Türen und Fenstern.**AUSSCHLIESSLICH im AUSSENBEREICH in gut belüfteten Zonen verwenden.**

Installieren Sie batteriebetriebene Kohlenmonoxidmelder oder steckbare Kohlenmonoxidmelder mit Batterie-Backup gemäß den Anweisungen des Herstellers.

⚠ GEFAHR

Rotierende Teile können sich verfangen und Füße, Haare, Kleidung und/oder Accessoires. Traumatische Amputation oder schwere Rissbildung können die Folge sein.

Halten Sie Hände und Füße von rotierenden Teilen fern. Binde lange Haare zusammen und entferne den Schmuck. Betreiben Sie die Geräte mit installierten Schutzvorrichtungen. Tragen Sie KEINE lose sitzende Kleidung, baumelnde Kordeln oder Gegenstände, die sich verfangen könnten.

⚠ WARNUNG

Der Betrieb dieser Geräte kann Funken erzeugen, die in der Umgebung von trockener Vegetation Brände auslösen können.

Gegebenenfalls ist ein Funkenschutz erforderlich. Der Betreiber sollte sich für Gesetze oder Vorschriften in Bezug auf Brandschutzanforderungen an die örtlichen Brandschutzbehörden wenden.

⚠ GEFAHR

Der Generator erzeugt eine starke Spannung.

Berühren Sie KEINE blanken Drähte oder Buchsen.

Verwenden Sie KEINE Stromkabel, die abgenutzt, beschädigt oder ausgefranst sind. Verwenden Sie die Champion-Stromkabel nur für die ordnungsgemäße Anwendung.

Betreiben Sie den Generator NICHT bei nassem Wetter.

Lassen Sie Kinder oder nicht qualifizierte Personen den Generator NICHT bedienen oder warten.

Verwenden Sie einen Fehlerstromschutzschalter (GFCI) in Feuchträumen und Bereichen, die leitfähiges Material enthalten, wie z. B. Metallböden.

Der Anschluss an das elektrische System Ihres Hauses erfordert einen gelisteten 30A-Übertragungsschalter, der von einem zugelassenen Elektriker installiert und von der zuständigen örtlichen Behörde genehmigt wurde.

Der Anschluss muss den Generator vom Stromnetz trennen und alle geltenden Gesetze und Vorschriften einhalten.

⚠ WARNUNG

Funken können zu Bränden oder Stromschlägen führen.

Bei der Wartung des Generators:

Ziehen Sie den Zündkerzendraht ab und platzieren Sie ihn dort, wo er die Kerze oder einen anderen Metallgegenstand nicht berühren kann.

Überprüfen Sie NICHT bei gezogener Kerze auf Zündung.

Verwenden Sie nur zugelassene Zündkerzenprüfgeräte.

⚠ WARNUNG

Laufende Motoren erzeugen Wärme. Bei Kontakt können schwere Verbrennungen auftreten. Brennbar Materialien können bei Kontakt Feuer fangen.

Berühren Sie KEINE heißen Oberflächen.

Vermeiden Sie den Kontakt mit heißen Abgasen.

Lassen Sie das Gerät vor dem Berühren abkühlen.

Halten Sie einen Abstand von 91,4 cm (3 ft.) auf allen Seiten ein, um eine ausreichende Kühlung zu gewährleisten.

Halten Sie einen Abstand von mindestens 1,5 m (5 ft.) zu brennbaren Materialien ein..

⚠ WARNUNG

Das schnelle Einziehen des Starterseils zieht Hand und Arm schneller zum Motor, als Sie loslassen können. Eine unbeabsichtigte Inbetriebnahme kann zu Verstrickungen, traumatischen Amputationen oder Schnittwunden führen. Knochenbrüche, Brüche, Prellungen oder Verstauchungen können die Folge sein.

Beim Anlassen des Motors das Starterseil langsam ziehen, bis ein Widerstand spürbar ist, und dann schnell ziehen, um Rückschläge zu vermeiden.

Starten oder stoppen Sie den Motor NICHT, wenn elektrische Geräte angeschlossen und eingeschaltet sind.

⚠ VORSICHT

Eine Überschreitung der Betriebskapazität des Generators kann den Generator und/oder die daran angeschlossenen elektrischen Geräte beschädigen.

Überlasten Sie den Generator NICHT.

Manipulieren Sie NICHT die regulierte Geschwindigkeit. Ändern Sie den Generator NICHT in irgendeiner Weise.

⚠ VORSICHT

Starten Sie den Generator und lassen Sie den Motor sich stabilisieren, bevor Sie elektrische Verbraucher anschließen.

Schließen Sie die elektrischen Geräte in der Aus-Stellung an und schalten Sie sie dann zur Bedienung ein.

Schalten Sie die elektrischen Geräte aus und trennen Sie sie, bevor Sie den Generator stoppen.

⚠ VORSICHT

Unsachgemäße Behandlung oder Verwendung des Generators kann ihn beschädigen, seine Lebensdauer verkürzen und zum Erlöschen der Garantie führen.

Verwenden Sie den Generator nur für den bestimmungsgemäßen Gebrauch.

Betreiben Sie das Gerät nur auf ebenen Flächen.

Setzen Sie den Generator NICHT übermäßiger Feuchtigkeit, Staub oder Schmutz aus.

Lassen Sie kein Material die Kühlschlitze blockieren.

Wenn sich angeschlossene Geräte überhitzen, schalten Sie sie aus und trennen Sie sie vom Generator.

Verwenden Sie den Generator NICHT, wenn:

- Die elektrische Leistung verloren geht
- Geräte funken, rauchen oder brennen
- Das Gerät übermäßig stark vibriert

⚠ WARNUNG

Medizinische und lebenserhaltende Anwendungen.

Im Notfall sofort die Rettungsdienste rufen. Verwenden Sie dieses Produkt NIEMALS zur Stromversorgung von lebenserhaltenden Geräten oder lebenserhaltenden Geräten.

Verwenden Sie dieses Produkt NIEMALS zur Stromversorgung von Medizinprodukten oder medizinischen Geräten.

Informieren Sie sofort Ihren Stromversorger, wenn Sie oder jemand in Ihrem Haushalt auf elektrische Geräte zum Leben angewiesen ist.

Informieren Sie sofort Ihren Stromversorger, wenn ein Stromausfall dazu führen würde, dass Sie oder jemand in Ihrem Haushalt einen medizinischen Notfall erleidet..

Kraftstoffsicherheit**⚠ GEFAHR**

BENZIN UND BENZINDÄMPFE SIND LEICHT ENTZÜNDLICH UND EXPLOSIV.

Feuer oder Explosion kann zu schweren Verbrennungen oder zum Tod führen.

Benzin und Benzindämpfe:

- Benzin ist leicht entzündlich und explosiv.
- Benzin kann bei Entzündung einen Brand oder eine Explosion verursachen.
- Benzin ist ein flüssiger Kraftstoff, aber seine Dämpfe können sich entzünden.
- Benzin ist ein hautreizendes Mittel und muss sofort gereinigt werden, wenn es auf Haut oder Kleidung verschüttet wird.
- Benzin hat einen ausgeprägten Geruch, der dazu beiträgt, mögliche Lecks schnell zu erkennen.
- Bei einem Erdölbrand sollten die Flammen nicht gelöscht werden, es sei denn, dadurch kann das Kraftstoffversorgungsventil ausgeschaltet werden. Denn wenn ein Feuer gelöscht wird und eine Kraftstoffzufuhr nicht abgeschaltet wird, kann eine Explosionsgefahr entstehen.
- Benzin dehnt sich aus oder zieht sich mit der Umgebungstemperatur zusammen. Füllen Sie den Benzintank niemals bis zur vollen Kapazität, da das Benzin bei steigenden Temperaturen Raum zur Expansion benötigt.

Beim Hinzufügen oder Entfernen von Benzin:

Schalten Sie den Generator aus und lassen Sie ihn mindestens zwei Minuten abkühlen, bevor Sie den Tankdeckel entfernen. Lösen Sie die Kappe langsam, um den Druck im Tank zu entlasten.

Befüllen oder entleeren Sie Benzin nur im Freien in einem gut belüfteten Bereich.

Pumpen Sie KEIN Benzin direkt in den Generator an der Tankstelle. Verwenden Sie einen zugelassenen Behälter, um den Kraftstoff zum Generator zu transportieren.

Den Benzintank NICHT überfüllen.

Halten Sie das Benzin stets von Funken, offenen Flammen, Kontrollleuchten, Hitze und anderen Zündquellen fern.

Zünden oder rauchen Sie keine Zigaretten.

Beim Starten des Generators:

Versuchen Sie NICHT, einen beschädigten Generator zu starten. Vergewissern Sie sich, dass Tankdeckel, Luftfilter, Zündkerze, Kraftstoffleitungen und Abgassystem ordnungsgemäß angebracht sind.

Lassen Sie verschüttetes Benzin vollständig verdampfen, bevor Sie versuchen, den Motor zu starten.

Achten Sie darauf, dass der Generator fest auf ebenem Boden steht.

Beim Betrieb des Generators:

Bewegen oder kippen Sie den Generator während des Betriebs NICHT.

Den Generator NICHT kippen oder Kraftstoff oder Öl auslaufen lassen.

Beim Transport oder bei der Wartung des Generators:

Vergewissern Sie sich, dass sich das Kraftstoffventil in der Position AUS befindet, der Benzintank ist leer.

Ziehen Sie das Zündkerzenkabel ab.

Bei der Lagerung des Generators:

Lager weg von Funken, offenen Flammen, Kontrollleuchten, Hitze und anderen Zündquellen.







Lagern Sie den Generator oder das Benzin nicht in der Nähe von Öfen, Warmwasserbereitern oder anderen Geräten, die Wärme erzeugen oder automatische Zündungen haben.






⚠️ WARNUNG

Verwenden Sie niemals einen Benzinbehälter, Benzintank oder andere Kraftstoffgegenstände, die beschädigt sind oder beschädigt erscheinen.

Operation Symbols

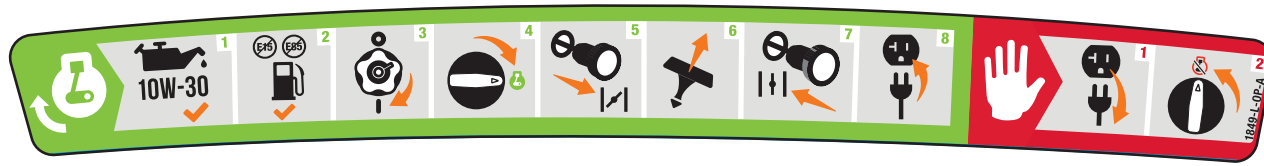
Some of the following symbols may be used on this product. Please study them and learn their meaning. Proper interpretation of these symbols will allow you to more safely operate the product.

SYMBOL	MEANING
	ON
	STOP or OFF
	Choke. Pull choke knob to "CHOKE" position.
	Run. Push choke knob to "RUN" position.
	12V Direct Current
	Circuit Breaker Reset: Push

SYMBOL	MEANING
	Parallel Connection(s)
	Ground Terminal
	Overload Reset Switch
	Low Oil
	Economy Mode Switch

Quickstart Label Symbols

Some of the following symbols may be used on this product. Please study them and learn their meaning. Proper interpretation of these symbols will allow you to more safely operate the product.



Starting the Engine

⚠ DANGER

Move generator outside and far away from windows, doors and intake ventilation covers.

- Check oil level.**
Recommended oil is 10W-30.
- Check gasoline level.**
When adding gasoline, use a minimum octane rating of 85 and an ethanol content of 10% or less by volume.
- Turn the fuel cap vent lever to the **"ON"** position.
- Turn the fuel dial clockwise to the full **"ON"** position.
- Pull choke knob to **"CHOKE"** position.
- Pull the recoil cord.
- Push the choke knob to **"RUN"** position.
- Plug in desired device.

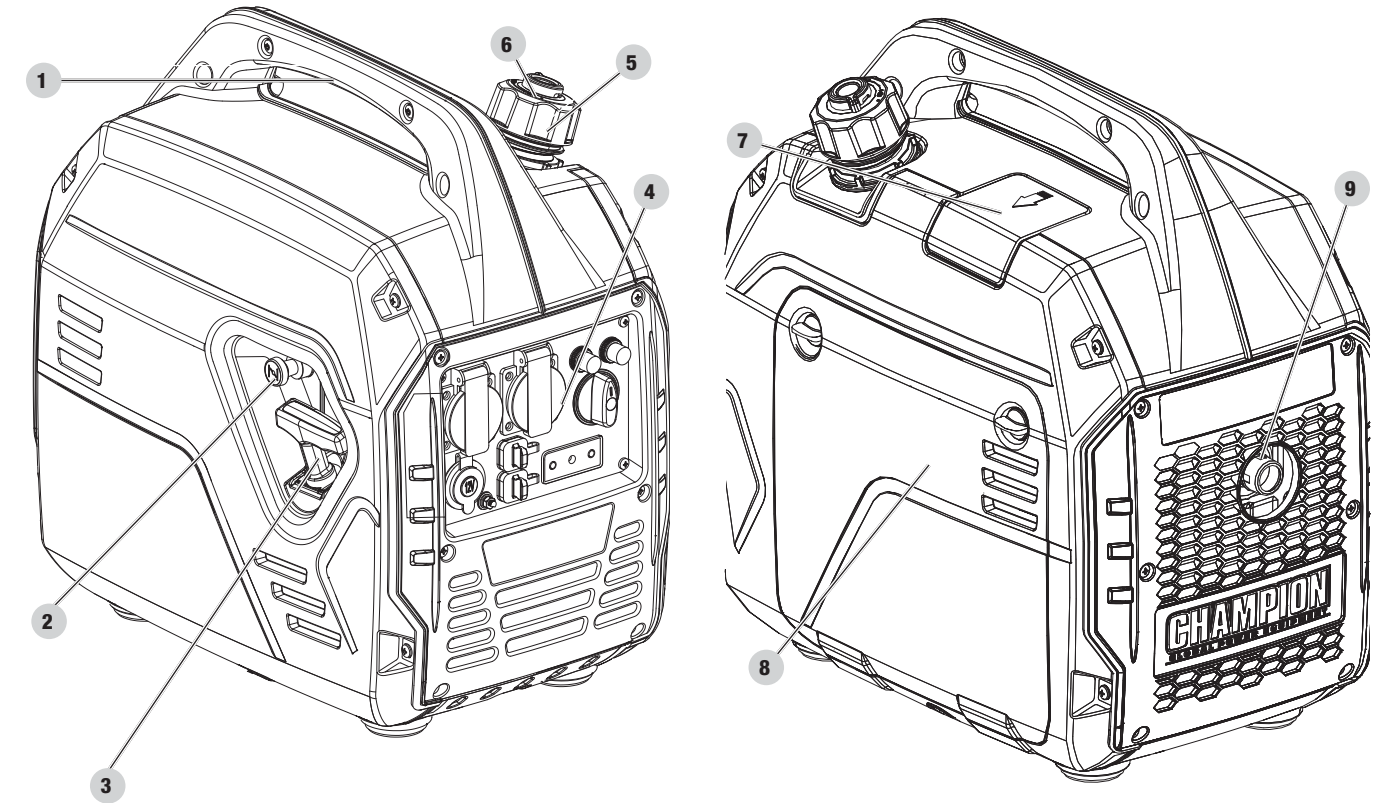
Stopping the Engine

- Turn off and unplug all connected electrical loads.
- Turn the fuel dial to the **"STOP"** position.

CONTROLS AND FEATURES

Read this operator's manual before operating your generator. Familiarize yourself with the location and function of the controls and features. Save this manual for future reference.

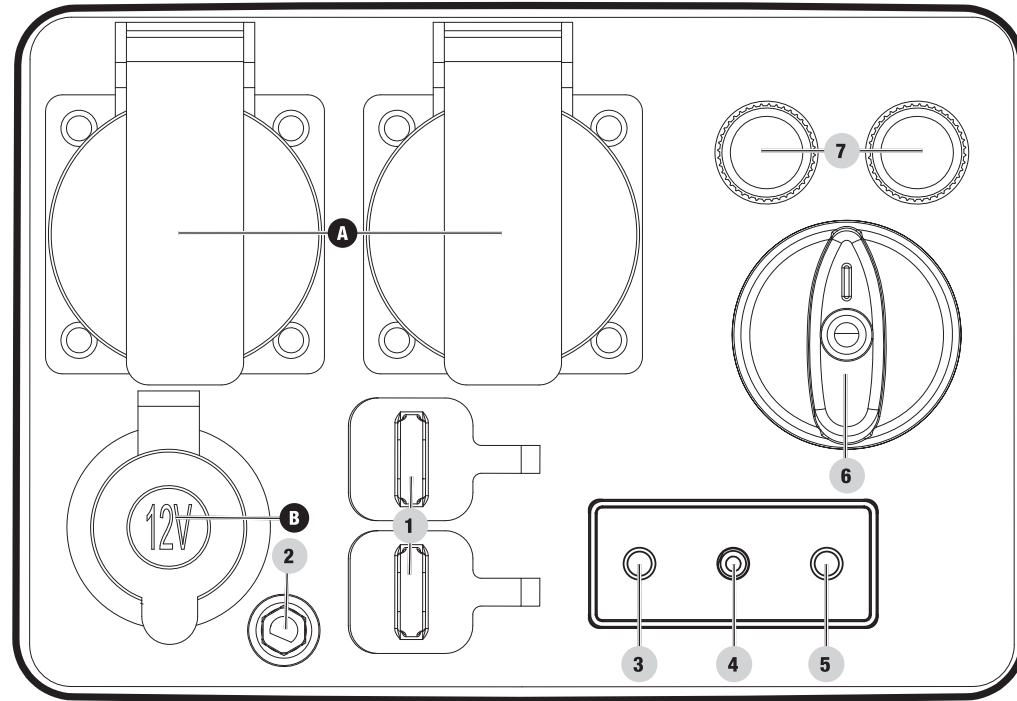
Generator



- Carrying Handle** – Used to lift or carry the unit.
- Choke** – Used to start a cold engine.
- Recoil Starter** – Used to manually start the engine
- Control Panel** – See *Control Panel* section.
- Fuel Cap** – Remove to add fuel.

- Fuel Lever Vent** – Turn this valve to the **"ON"** position to supply air to the tank.
- Spark Plug Access Cover**
- Maintenance Cover**
- Muffler**

Control Panel



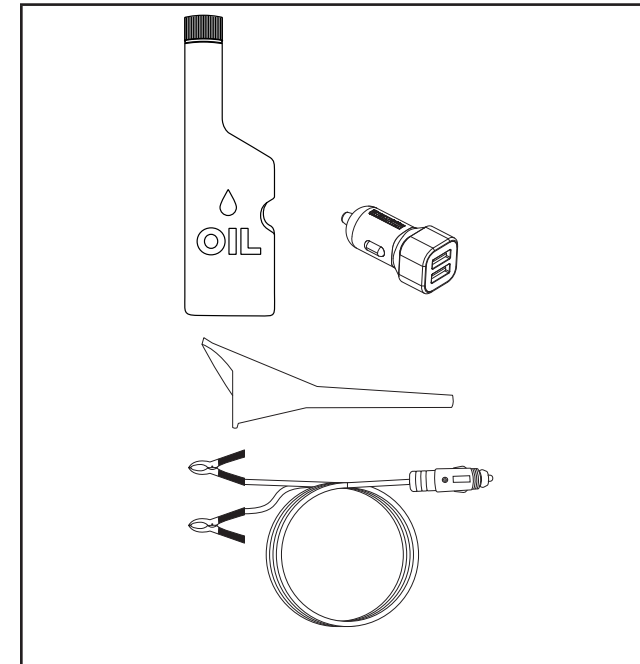
1. **Parallel Outlets** – Used for parallel operation (parallel kit sold separately).
2. **Ground Terminal** – Consult an electrician for local grounding regulations.
3. **AC Output Indicator Button** – Indicates when power is being delivered to receptacle.
 - 3a. Green – Systems Normal.
 - 3b. Red Constant– Overload Warning.
 - 3c. Red Flash– Overload Fault. Push to reset.
4. **Oil Warning Indicator Light** – When ON engine will shut down and not run. Check oil level.
5. **Economy Mode Button** – Enables/disables automatic idle control.
 - 5a. OFF – Economy Mode is OFF.
 - 5b. Green – Economy Mode is ON.
6. **Fuel Dial** – Used to start and stop the generator.
7. **Circuit Breakers (Push Reset)** – Protects the generator against electrical overloads.

RECEPTACLES	
A	 <p>2 x (220V 16Ampere) Kann zur Stromversorgung für den Betrieb von 220~240 Volt AC, einphasig, 50 Hz elektrischen Lasten verwendet werden.</p>
B	 <p>12V DC, 8 Ampere (Automotive) Kann zur Stromversorgung für den Betrieb von 12 Volt DC, 8 Ampere elektrischen Lasten verwendet werden.</p>

Enthaltene Teile

Zubehör

- Engine Oil..... 16.9 fl. oz. (0.5 qt.)
- Öltrichter..... 1
- Dual 2.4A Port USB Adapter..... 1
- Battery Charging Cables..... 1



DE

INBETRIEBNAHME

Dieses Gerät wird ab Werk ohne Öl ausgeliefert. Vor dem Betrieb muss er ordnungsgemäß mit Kraftstoff und Öl gewartet werden.

Wenn Sie Fragen zur Montage Ihres Generators haben, wenden Sie sich bitte an unseren nächsten Champion-Vertriebspartner. Bitte halten Sie Ihre Seriennummer und Modellnummer bereit.

Auspacken

1. Stellen Sie den Versandkarton auf eine feste, ebene Fläche.
2. Entfernen Sie alles aus dem Karton mit Ausnahme des Generators.
3. Entfernen Sie den Generator vorsichtig mit den Tragegriffen des Geräts aus dem Karton (es wird empfohlen, ihn mit zwei Personen anzuheben).

Motoröl hinzufügen

⚠ VORSICHT

Versuchen Sie NICHT, den Motor zu kurbeln oder zu starten, bevor er nicht ordnungsgemäß mit der empfohlenen Art und Menge an Öl gefüllt wurde. Schäden am Generator, die durch Nichtbeachtung dieser Anweisungen verursacht werden, führen zum Erlöschen der Garantie..

💡 HINWEIS

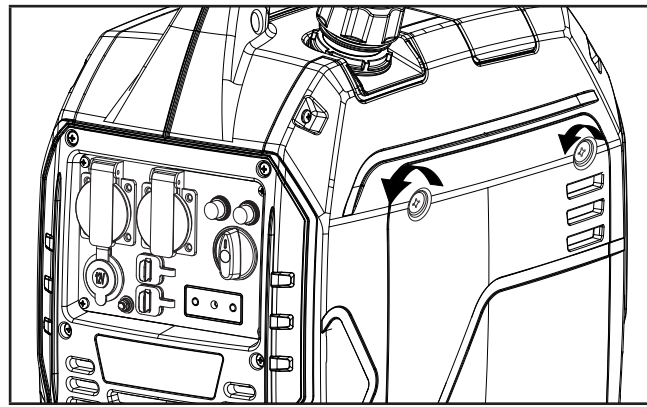
Der Generatorrotor verfügt über ein abgedichtetes, vorgeschmiertes Kugellager, das während der gesamten Lebensdauer des Lagers keine zusätzliche Schmierung benötigt.

💡 HINWEIS

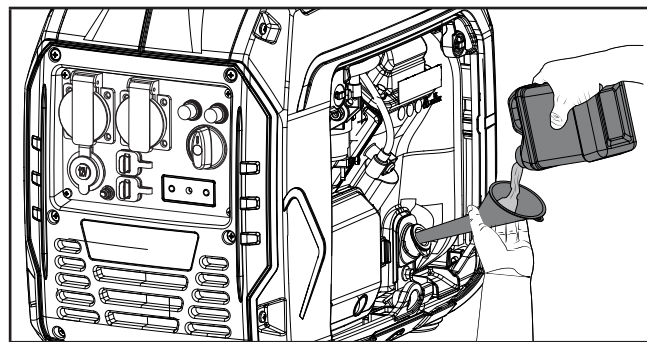
Die empfohlene Ölsorte ist 10W-30 Automobilöl.

Recommended Oil Type / Tipo de aceite recomendado / Type d'huile recommandé									
		10W-30							
	5W-30			10W-40					
	5W-30 Synthetic / Sintético / Synthétique								
°F	-20	0	20	40	60	80	100	120	
°C	-28.9	-17.8	-6.7	4.4	15.6	26.7	37.8	48.9	
Ambient temperature / Temperatura ambiente / Température ambiante									

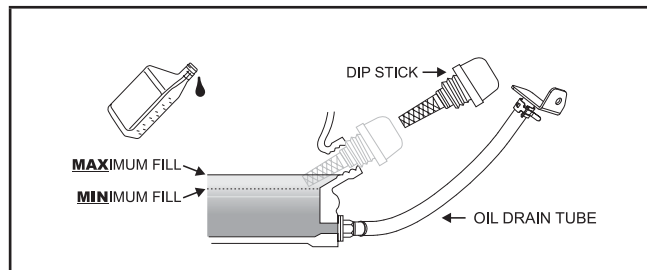
1. Stellen Sie den Generator auf einen flachen, ebenen Untergrund.
2. Entfernen Sie die Wartungsabdeckung.



3. Öleinfülldeckel/Messstab entfernen, um Öl hinzuzufügen.
4. Mit einem Trichter bis zu 0,4 qt (0,4 L) Öl (nicht im Lieferumfang enthalten) nachfüllen und Öleinfülldeckel/Messstab ersetzen. NICHT ÜBERFÜLLEN.



5. Den Motorölstand täglich überprüfen und bei Bedarf nachfüllen.



💡 HINWEIS

Nach dem Einfüllen des Öls sollte eine Sichtkontrolle zeigen, dass das Öl ca. 1-2 Gewindegänge aus der Einfüllöffnung ausläuft. Wenn Sie den Ölmesstab zur Ölstandskontrolle verwenden, schrauben Sie den Ölmesstab während der Kontrolle NICHT ein..

💡 HINWEIS

Überprüfen Sie das Öl regelmäßig während der Einlaufphase. Empfohlene Wartungsintervalle finden Sie im Abschnitt Wartung.

⚠ VORSICHT

Der Motor ist mit einer niedrigen Ölabschaltung ausgestattet und stoppt, wenn der Ölstand im Kurbelgehäuse den Schwellenwert unterschreitet.

💡 HINWEIS

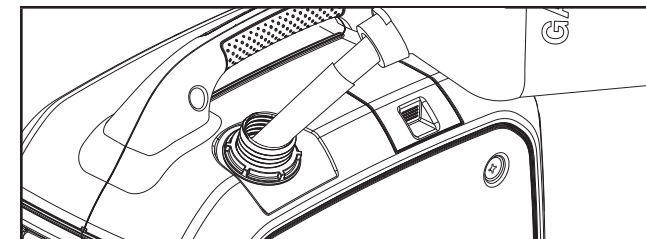
Die ersten 5 Stunden der Betriebszeit sind die Einlaufphase für das Gerät. Während der Unterbrechung der Periode bleiben Sie bei oder unter 50% der Betriebsleistung und variieren Sie die Last gelegentlich, damit die Statorwicklungen heizen und kühlen können. Das Anpassen der Last führt auch dazu, dass sich die Motordrehzahl ändert und die Sitzkolbenringe helfen. Nach der 5-stündigen Einlaufphase das Öl wechseln.

💡 HINWEIS

Synthetisches Öl kann nach der anfänglichen Einarbeitungszeit von 5 Stunden verwendet werden. Die Verwendung von synthetischem Öl verlängert nicht das empfohlene Ölwechselintervall. Vollsynthetisches 5W-30 Öl hilft beim Start in kalter Umgebung <math>< 5^{\circ}\text{C}</math> (41° F).

Kraftstoff hinzufügen

1. Verwenden Sie sauberes, frisches, regelmäßiges bleifreies Benzin mit einem Oktanzahl von mindestens 85 und einem Ethanolgehalt von 10 Vol.-% oder weniger. **E10 E85 E85**
2. Mischen Sie KEIN Öl mit Benzin.
3. Entfernen Sie den Tankdeckel. .



4. Geben Sie langsam Benzin in den Tank. Der Tank ist voll, wenn das Benzin den roten Kreis auf dem Bildschirm erreicht. NICHT ÜBERFÜLLEN. Benzin kann sich nach dem Befüllen ausdehnen. Für die Benzinausdehnung wird mindestens ¼ in. (6,4 mm) freier Raum im Tank benötigt, obwohl mehr als ¼ in. (6,4 mm) empfohlen wird. Bei Überfüllung kann Benzin durch Expansion aus dem Tank gedrückt werden und den stabilen Betriebszustand des Generators beeinträchtigen
5. Schrauben Sie den Tankdeckel auf und wischen Sie verschütteten Kraftstoff ab.

⚠ VORSICHT

Verwenden Sie regelmäßig bleifreies Benzin mit einem Oktanzahl von mindestens 85 und einem Ethanolgehalt von 10 Vol.-% oder weniger.

Mischen Sie NICHT Öl und Benzin.

Füllen Sie den Tank bis etwa ¼ in. (6,4 mm) unter der Oberseite des Tanks, um eine Benzinausdehnung zu ermöglichen.

Pumpen Sie KEIN Benzin direkt in den Generator an der Pumpe. Verwenden Sie einen zugelassenen Behälter, um das Benzin zum Generator zu transportieren.

Füllen Sie den Tank NICHT im Innenbereich.

Den Tank NICHT füllen, wenn der Motor läuft oder heiß ist.

Den Tank NICHT überfüllen.

Beim Befüllen des Tanks KEINE Zigaretten anzünden oder rauchen.

⚠ WARNUNG

Wenn Sie das Benzin zu schnell durch das Kraftstoffsieb gießen, kann es beim Befüllen zu einem Rückstoß des Benzins beim Bediener kommen.

💡 HINWEIS

Unsere Motoren arbeiten gut mit 10% oder weniger Ethanol-Mischbenzin. Bei der Verwendung von Ethanol- Benzin-Mischungen gibt es einige beachtenswerte Punkte:

- Ethanol-Benzin-Gemische können mehr Wasser aufnehmen als Benzin allein.
- Diese Mischungen können sich schließlich trennen und Wasser oder einen wässrigen Schmiere im Tank, Kraftstoffventil und Vergaser zurücklassen.
- Bei schwerkraftgespeisten Versorgungsungen kann das kompromittierte Benzin in den Vergaser gesaugt werden und zu Schäden am Motor und/ oder möglichen Gefahren führen.
- Es gibt nur wenige Anbieter von Kraftstoffstabilisatoren, die für den Einsatz mit Ethanol-Benzin-Gemischen entwickelt wurden.
- Schäden oder Gefahren, die durch die Verwendung von unsachgemäßem Benzin, unsachgemäß gelagertem Benzin und/oder falsch formulierten Stabilisatoren verursacht werden, fallen nicht unter die Herstellergarantie.

Es ist ratsam, die Benzinversorgung immer abzuschalten, den Motor zum Verhungern zu bringen und den Tank zu entleeren, wenn das Gerät länger als 30 Tage nicht benutzt wird.

Erdung

Ihr Generator muss ordnungsgemäß an eine geeignete Erdung angeschlossen sein, um einen elektrischen Schlag zu vermeiden.

⚠️ WARNUNG

Eine unzureichende Erdung des Generators kann zu einem elektrischen Schlag führen.

Eine Erdungsklemme, die mit dem Rahmen des Generators verbunden ist, wurde vorgesehen (siehe Bedienelemente und Merkmale für die Klemmenpositionierung). Für die Fernerdung verbinden Sie einen Kupferdraht mit einer Länge von schwerem Durchmesser (mindestens 12 AWG) zwischen dem Generator-Masseanschluss und einer in die Erde eingetriebenen Kupferstange. Wir empfehlen dringend, dass Sie sich an einen qualifizierten Elektriker wenden, um die Einhaltung der örtlichen Vorschriften zu gewährleisten.

Nullleiter erdungsfrei*

- Der Neutraleiter ist NICHT elektrisch mit dem Rahmen/ Masse des Generators verbunden.
- Der Generator (Statorwicklung) ist vom Rahmen und vom Erdungsstift der AC-Buchse isoliert.
- Elektrische Geräte, die eine geerdete Steckdosen-Stiftverbindung erfordern, funktionieren nicht, wenn der Steckdosen-Masse-Stift nicht funktioniert.

Nullleiter mit Rahmen verbunden*

- Der Neutraleiter ist elektrisch mit dem Rahmen/ Masse des Generators verbunden.
- Die Erdung des Generatorsystems verbindet den unteren Rahmenquerträger unterhalb der Lichtmaschine. Die Systemmasse ist mit dem AC-Neutraldraht verbunden.

*Siehe das Bedienfeld Ihres Modells für eine bestimmte Art der Erdung..

BETRIEB

Standort des Generators

Betreiben Sie den Generator NIEMALS in einem Gebäude, einschließlich Garagen, Kellern, Kriechräumen und Schuppen, einem Gehäuse oder einem Abteil, einschließlich des Generatorraums eines Freizeitfahrzeugs. Bitte wenden Sie sich an Ihre Gemeinde. In einigen Bereichen müssen Generatoren beim örtlichen Versorgungsunternehmen registriert werden. Generatoren, die auf Baustellen eingesetzt werden, können Gegenstand von zusätzlichen Regeln und Vorschriften. Die Generatoren sollten eingeschaltet sein, eine ebene, ebene Oberfläche zu jeder Zeit. (Auch wenn sie nicht in Betrieb sind) Die Generatoren müssen einen Abstand von mindestens 1,5 m (5 ft.) zu allen brennbaren Materialien aufweisen. Zusätzlich zum Abstand von allen brennbaren

Materialien müssen die Generatoren auf allen Seiten einen Abstand von mindestens 91,4 cm aufweisen, um eine ausreichende Kühlung, Wartung und Instandhaltung zu ermöglichen. Generatoren sollten niemals im hinteren Teil eines SUV, Wohnmobils, Anhängers, in der Ladefläche eines Lastwagens (normal, flach oder anderweitig), unter Treppenhäusern, neben Wänden oder Gebäuden oder an einem anderen Ort gestartet oder betrieben werden, der eine ausreichende Kühlung des Generators und/ oder des Schalldämpfers nicht zulässt. Während des Betriebs KEINE Generatoren enthalten. Lassen Sie die Generatoren vor dem Transport oder der Lagerung richtig abkühlen. Installieren Sie batteriebetriebene Kohlenmonoxidalarmler oder steckbare Kohlenmonoxidalarmler mit Batterie-Backup in Ihrem Haus gemäß den Anweisungen des Herstellers. Stellen Sie den Generator in einem gut belüfteten Bereich auf. Stellen Sie den Generator NICHT in der Nähe von Lüftungsschlitzen oder Einlässen auf, wo Abgase in belegte oder enge Räume abgesaugt werden können. Bei der Positionierung des Generators sind Wind- und Luftströme sorgfältig zu berücksichtigen. Bei Nichtbeachtung der entsprechenden.

⚠️ WARNUNG

Betreiben oder lagern Sie den Generator nicht bei Regen, Schnee oder Nässe.

Die Verwendung eines Generators oder eines elektrischen Geräts bei nassen Bedingungen, wie Regen oder Schnee, oder in der Nähe eines Beckens oder einer Sprinkleranlage, oder wenn Ihre Hände nass sind, kann zu einem Stromschlag führen.

⚠️ WARNUNG

Während des Betriebs NweGrden der Schalldämpfer und die entstehenden Abgase heiß. Werden keine ausreichenden Kühl- und Atemräume zur Verfügung gestellt, oder ist der Generator blockiert oder eingedämmt, können sich die Temperaturen stark erwärmen und zu Bränden führen.

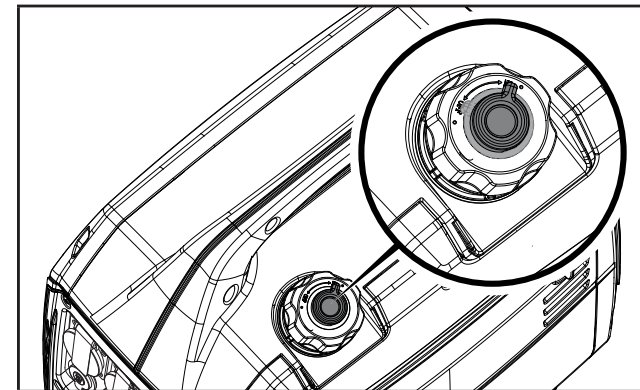
Überspannungsschutz

Elektronische Geräte, einschließlich Computer und viele programmierbare Geräte, verwenden Komponenten, die für den Betrieb innerhalb eines engen Spannungsbereichs ausgelegt sind und von kurzzeitigen Spannungsschwankungen betroffen sein können. Während es keine Möglichkeit gibt, Spannungsschwankungen zu verhindern, können Sie Maßnahmen zum Schutz empfindlicher elektronischer Geräte ergreifen.

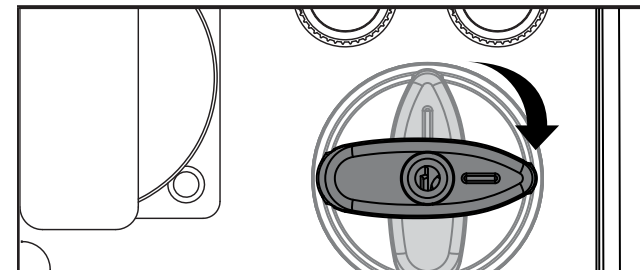
Installieren Sie UL1449, CSA-gelistete, steckbare Überspannungsableiter an den Anschlüssen, die Ihre empfindlichen Geräte versorgen. Überspannungsableiter gibt es in Ausführungen mit einem oder mehreren Ausgängen. Sie wurden entwickelt, um gegen nahezu alle kurzzeitigen Spannungsschwankungen zu schützen.

Starten des Motors

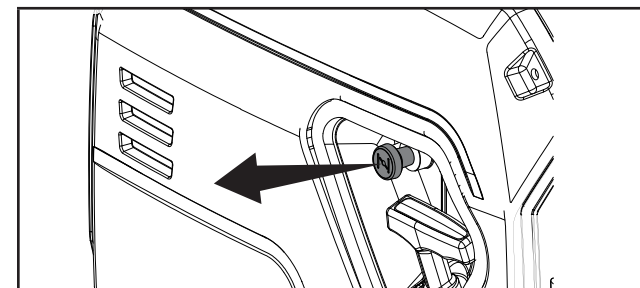
1. Vergewissern Sie sich, dass sich der Generator auf einem flachen, ebenen Untergrund befindet.
2. Trennen Sie alle elektrischen Verbraucher vom Generator. Starten oder stoppen Sie den Generator niemals, wenn elektrische Geräte angeschlossen oder eingeschaltet sind.
3. Drehen Sie den Entlüftungshebel des Tankdeckels in die Position "ON"..



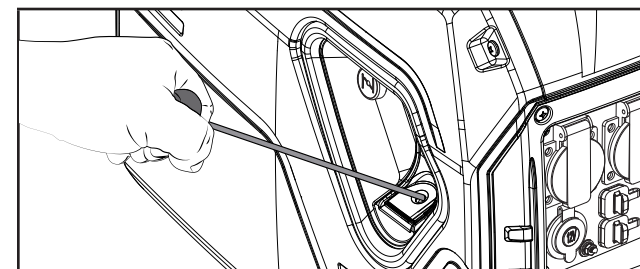
4. Turn the fuel dial clockwise to the full "ON" position.



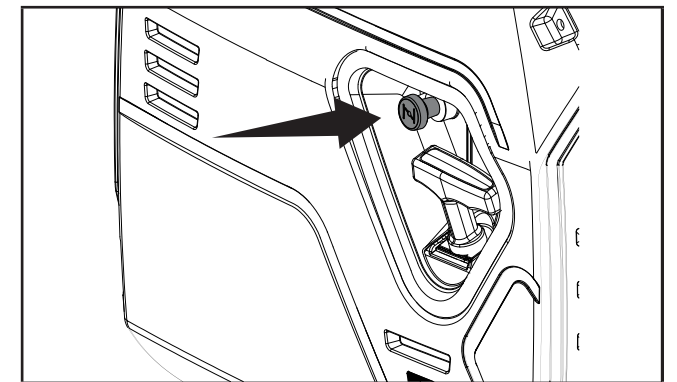
5. Pull choke knob out to the "CHOKE" position.



6. Ziehen Sie das Starterseil langsam bis zum spürbaren Widerstand und ziehen Sie dann schnell.



7. As engine warms up, push the choke knob in to the "RUN" position.



🗨️ NOTICE

Keep choke lever in "CHOKE" position for only 1 pull of the recoil cord. After first pull, press the choke knob in to the "RUN" position for up to the next 3 pulls of the recoil cord. Too much choke leads to spark plug fouling/engine flooding due to the lack of incoming air. This will cause the engine not to start.

🗨️ NOTICE

For gasoline restarts with hot engine in hot ambient > 86°F (30°C): If generator does not start after the first pull, press the choke knob in to the "RUN" position for the next 3 pulls. Too much choke leads to spark plug fouling/engine flooding due to the lack of incoming air. This will cause the engine not to start.

🗨️ NOTICE

For gas starting in cold ambient < 59°F (15°C): The choke must be in 100% of the "CHOKE" position for manual start procedures. Do not over-choke. As soon as engine starts, push the choke knob in the "RUN" position.

🗨️ HINWEIS

Wenn der Motor startet, aber nicht weiterläuft, stellen Sie sicher, dass sich der Generator auf einer ebenen, ebenen Fläche befindet. Der Motor ist mit einem Ölmangel-Sensor ausgestattet, der verhindert, dass der Motor läuft, wenn der Ölstand einen kritischen Schwellenwert unterschreitet.

Anschließen von elektrischen Verbrauchern

Lassen Sie den Motor stabilisieren und erwärmen Sie ihn für einige Minuten nach dem Start.

Stecken Sie die gewünschten 220 oder 240 (falls zutreffend) Volt AC einphasige, 50 Hz elektrische Verbraucher ein und schalten Sie sie ein.

- Schließen Sie KEINE 3-phasigen Lasten an den Generator an.
- Schließen Sie KEINE 60 Hz-Lasten an den Generator an.
- Überlasten Sie den Generator NICHT.

⚠️ WARNUNG

Der Anschluss eines Generators an die Stromleitungen Ihres Energieversorgungsunternehmens oder an eine andere Stromquelle kann rechtswidrig sein. Darüber hinaus kann diese Maßnahme, wenn sie falsch durchgeführt wird, Ihren Generator und Ihre Geräte beschädigen und zu schweren Verletzungen oder sogar zum Tod von Ihnen oder einem Versorgungsunternehmen führen, das möglicherweise an nahegelegenen Stromleitungen arbeitet. Wenn Sie planen, einen tragbaren Stromerzeuger während eines Stromausfalls zu betreiben, benachrichtigen Sie bitte sofort Ihr Energieversorgungsunternehmen und denken Sie daran, Ihre Geräte direkt an den Generator anzuschließen. Schließen Sie den Generator nicht an eine Steckdose in Ihrem Haus an. Auf diese Weise könnte eine Verbindung zum Energieversorger hergestellt werden. Sie sind dafür verantwortlich, dass der Strom Ihres Generators nicht in die Stromleitungen der Elektrizitätswerke zurückgespeist wird. Wenn der Generator an eine gebäudetechnische Anlage angeschlossen wird, wenden Sie sich an Ihr örtliches Versorgungsunternehmen oder einen qualifizierten Elektriker. Die Anschlüsse müssen die Generatorleistung vom Netz trennen und alle geltenden Gesetze und Vorschriften einhalten.

Generator nicht überlasten

Kapazität

Befolgen Sie diese einfachen Schritte, um die für Ihre Zwecke erforderlichen Lauf- und Startwerte zu berechnen:

1. Wählen Sie die elektrischen Geräte aus, die Sie gleichzeitig betreiben möchten.
2. Die Gesamtzahl der laufenden Watt dieser Artikel. Dies ist die Menge an Energie, die du brauchst, um deine Gegenstände am Laufen zu halten.
3. Identifizieren Sie die höchste Anlaufleistung aller in Schritt 1 identifizierten Geräte. Fügen Sie diese Nummer zu der in Schritt 2 berechneten Zahl hinzu. Die Anfangsleistung ist der zusätzliche Leistungsschub, der benötigt wird, um einige elektrisch betriebene Geräte zu starten. Wenn Sie die unter "Power Management" aufgeführten Schritte ausführen, wird sichergestellt, dass jeweils nur ein Gerät gestartet wird.

Power Management

Verwenden Sie die folgende Formel, um Spannung und Stromstärke in Watt umzuwandeln:

Volt × Ampere = Watt

Um die Lebensdauer Ihres Generators und der angeschlossenen Geräte zu verlängern, führen Sie diese Schritte aus, um elektrische Verbraucher hinzuzufügen:

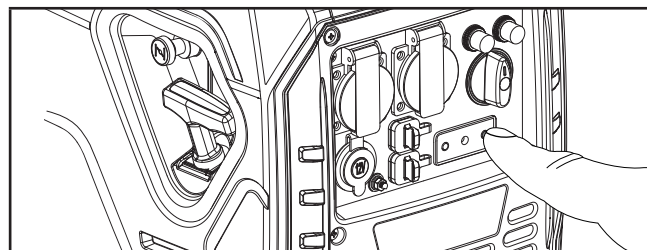
1. Starten Sie den Generator ohne angeschlossene elektrische Last.
2. Lassen Sie den Motor einige Minuten laufen, um sich zu stabilisieren.
3. Schließen Sie das erste Element an und schalten Sie es ein. Am besten ist es, zuerst den Gegenstand mit der größten Last zu befestigen
4. Lassen Sie den Motor stabilisieren.
5. Schließen Sie das nächste Gerät an und schalten Sie es ein.
6. Lassen Sie den Motor stabilisieren.
7. Wiederholen Sie die Schritte 5-6 für jedes weitere Element.

🗨️ HINWEIS

Überschreiten Sie niemals die angegebene Kapazität, wenn Sie dem Generator Lasten hinzufügen.

Eco (Economy) Modus

Der Eco-Modus-Schalter kann aktiviert werden, um die Sparsamkeitsregelung einzuschalten, um den Kraftstoffverbrauch und die Geräusentwicklung beim Betrieb des Geräts in Zeiten reduzierter elektrischer Leistung zu minimieren. Der Eco-Modus ermöglicht es, dass die Motordrehzahl während der Nichtbenutzung im Leerlauf läuft. Die Motordrehzahl kehrt zur Normalität zurück, wenn eine elektrische Last angeschlossen ist. Wenn der Sparschalter ausgeschaltet ist, läuft der Motor mit normaler Geschwindigkeit kontinuierlich..



⚠️ VORSICHT

Für Zeiten mit hoher elektrischer Last oder kurzzeitigen Schwankungen sollte der Eco-Modus ausgeschaltet sein.

12V DC Automotive Style Steckdose

Die 12V DC-Steckdose(n) kann(n) mit dem mitgelieferten Zubehör und anderen handelsüblichen 12V DC Automotive-

Steckern verwendet werden. Der DC-Ausgang ist unregelt und kann einige Produkte beschädigen. Vergewissern Sie sich, dass der Eingangsspannungsbereich Ihres Artikels mindestens 12-24V DC beträgt. Wenn Sie die DC-Steckdose verwenden, stellen Sie den Eco-Modus-Schalter auf die Position "OFF".

⚠️ WARNUNG

Betreiben Sie ein Gerät nicht, während es an die 12V DC-Steckdose angeschlossen ist

Längere Einwirkung von Motorabgasen kann zu schweren Verletzungen oder zum Tod führen..

⚠️ VORSICHT

Platzieren Sie ein Gerät während des Ladevorgangs nicht auf der Abgasseite des Generators. Extreme Hitze, die durch Abgase verursacht wird, kann das Gerät beschädigen und eine potenzielle Brandgefahr darstellen.

Aufladen der Batterie

1. Bevor Sie das Batterieladekabel (nicht im Lieferumfang enthalten) an eine Batterie anschließen, die in einem Fahrzeug installiert ist, trennen Sie das Erdungskabel der Fahrzeugbatterie vom negativen (-) Batteriepol.
2. Stecken Sie das Batterieladekabel in die 12V DCBuchse des Generators.
3. Schließen Sie das rote (+) Ladekabel des Batterieladegeräts an den roten (+) Batterieanschluss an.
4. Schließen Sie das schwarze(-) Ladekabel des Batterieladegeräts an den schwarzen(-) Batterieanschluss an.
5. Starten Sie den Generator.

Wichtig: Der 12V DC-Ausgang ist unregelt und kann andere 12V DC-Produkte beschädigen. Wenn Sie die 12V DC-Steckdose verwenden, stellen Sie den Economy-Modus-Schalter auf die Position "OFF". Vergewissern Sie sich, dass alle elektrischen Geräte einschließlich der Leitungen und Steckverbindungen in gutem Zustand sind, bevor Sie sie an den Generator anschließen.

⚠️ VORSICHT

Starten Sie das Fahrzeug nicht, während das Batterieladekabel angeschlossen ist und der Generator läuft. Es gibt der Batterie keine Leistungssteigerung. Das Fahrzeug oder der Generator kann beschädigt werden. Laden Sie nur entlüftete, nasse Bleibatterien auf. Andere Arten von Batterien können platzen und zu Verletzungen oder Schäden führen.

🗨️ HINWEIS

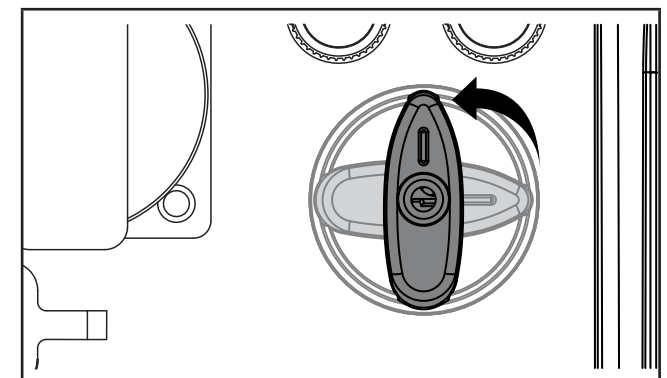
Vergewissern Sie sich, dass alle elektrischen Geräte einschließlich der Leitungen und Steckverbindungen in gutem Zustand sind, bevor Sie sie an den Generator anschließen.

Parallelbetrieb

Dieses Champion-Modell ist parallel bereit und kann parallel zu einer anderen Champion-Einheit betrieben werden, um die verfügbare Gesamtleistung zu erhöhen. Für den Parallelbetrieb ist ein Champion- Parallel-Kit (Sonderausstattung) erforderlich. Eine Liste der kompatiblen Modelle oder die Bestellung eines Parallelbausatzes erhalten Sie bei Ihrem nächsten Champion-Händler. Detaillierte Anweisungen zur Installation und zum Betrieb der angeschlossenen Generatoren finden Sie in der Bedienungsanleitung des Parallel-Kits.

Abstellen des Motors

1. Schalten Sie alle elektrischen Verbraucher aus und ziehen Sie den Netzstecker. Starten oder stoppen Sie den Generator niemals, wenn elektrische Geräte angeschlossen oder eingeschaltet sind.
2. Lassen Sie den Generator einige Minuten im Leerlauf laufen, um die Innentemperaturen von Motor und Generator zu stabilisieren.
3. Turn the fuel dial counter-clockwise to the STOP position.



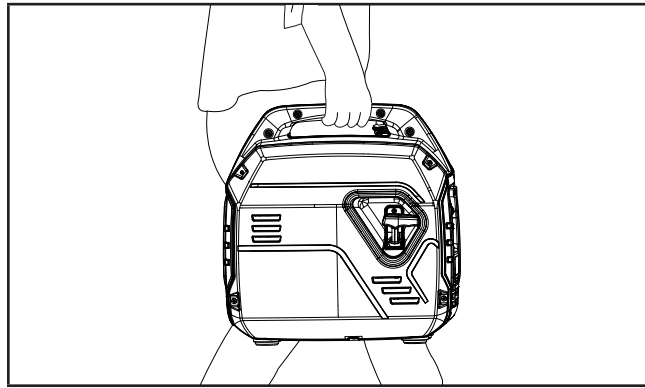
Wichtig: Stellen Sie immer sicher, dass sich das EZStart-Regler und die Kraftstoffhebelentlüftung in der Position "AUS" befinden, wenn der Generator nicht in Betrieb ist.

🗨️ HINWEIS

Wenn der Generator für einen Zeitraum von zwei (2) Wochen oder länger nicht benutzt wird, lesen Sie bitte den Abschnitt Lagerung für die richtige Lagerung von Motor und Kraftstoff..

Moving the Generator

- ALWAYS turn the generator off and ensure the fuel valve is closed.
- ALWAYS make sure engine and muffler are cooled down before the generator can be handled safely (typically 15-30 minutes).
- Lift unit up by the carrying handle and move to the desired location.
- Do not drop or strike unit or place under heavy objects.
- Failure to follow these instructions could result in personal injury or damage to the generator.



Operation at High Altitude

The density of air at high altitudes is lower than at sea level. Engine power is reduced as the air mass and air-fuel ratio decrease. Engine power and generator output will be reduced approximately 3½% for every 1000 ft. of elevation above sea level. At high altitudes increased exhaust emissions can also result due to the increased enrichment of the air fuel ratio. Other high altitude issues can include hard starting, increased fuel consumption and spark plug fouling.

To alleviate high altitude issues other than the natural power loss, CPE can provide a high altitude carburetor main jet. The alternative main jet and installation instructions can be obtained by contacting our Technical Support Team. Installation instructions are also available in the Technical Bulletin area of the CPE website.

The part number and recommended minimum altitude for the application of the high altitude carburetor main jet is listed in the following table.

In order to select the correct high altitude main jet it is necessary to identify the carburetor model. For this purpose, a code is stamped on the side of the carburetor. Select the correct high altitude jet part number corresponding to the carburetor code found on your particular carburetor.

⚠️ WARNING

Operation using the alternative main jet at elevations lower than the recommended minimum altitude can damage the engine. For operation at lower elevations, the originally supplied standard main jet must be used. Operating the engine with the wrong engine configuration at a given altitude may increase its emissions and decrease fuel efficiency and performance.

WARTUNG

Stellen Sie sicher, dass der Generator sauber gehalten und ordnungsgemäß gelagert wird. Betreiben Sie das Gerät nur auf einer ebenen, ebenen Fläche in einer sauberen, trockenen Betriebsumgebung. Setzen Sie das Gerät NICHT extremen Bedingungen, übermäßigem Staub, Schmutz, Feuchtigkeit oder korrosiven Dämpfen aus

⚠️ WARNING

Betreiben Sie niemals einen beschädigten oder defekten Generator..

⚠️ WARNING

Unsachgemäße Wartung führt zum Erlöschen der Garantie.

💬 HINWEIS

Die Wartung, der Austausch oder die Reparatur von emissionsmindernden Vorrichtungen und Systemen kann von jeder Werkstatt oder Person durchgeführt werden, die keine Straßenmotoren repariert.

Der Eigentümer/Betreiber ist für alle regelmäßigen Wartungsarbeiten verantwortlich. Führen Sie alle geplanten Wartungsarbeiten rechtzeitig durch. Beheben Sie alle Probleme, bevor Sie den Generator in Betrieb nehmen

Reinigung des Generators

⚠️ VORSICHT

Besprühen Sie den Motor NICHT mit Wasser.

Durch die Kühlschlitze kann Wasser in den Generator eindringen und die Generatorwicklungen beschädigen. Es kann auch das Kraftstoffsystem verunreinigen.

1. Verwenden Sie ein feuchtes Tuch, um die Außenflächen des Generators zu reinigen.
2. Verwenden Sie eine weiche Borstenbürste, um Schmutz und Öl zu entfernen.

💬 HINWEIS

Nach dem Einfüllen des Öls sollte eine Sichtkontrolle zeigen, dass das Öl ca. 1-2 Gewindegänge aus der Einfüllöffnung ausläuft. Wenn Sie den Ölmesstab zur Ölstandskontrolle verwenden, schrauben Sie den Ölmesstab während der Kontrolle NICHT ein.

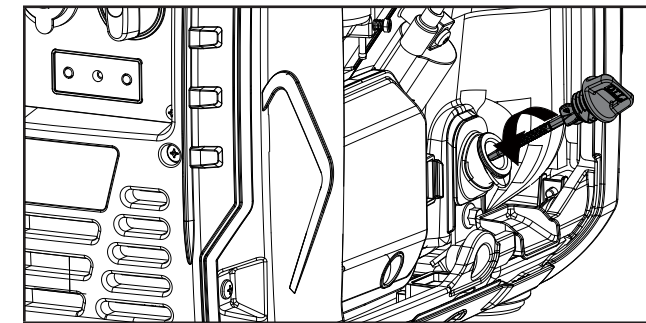
3. Verwenden Sie einen Luftkompressor (25 PSI), um Schmutz und Ablagerungen aus dem Generator zu entfernen.
4. Überprüfen Sie alle Lüftungsöffnungen und Kühlschlitze auf Sauberkeit und Unversehrtheit.

Um ein versehentliches Starten zu verhindern, entfernen Sie das Zündkerzenkabel, bevor Sie eine Wartung durchführen. Achten Sie darauf, dass das Zündkerzenkabelende nicht auf Metallteilen aufliegt.

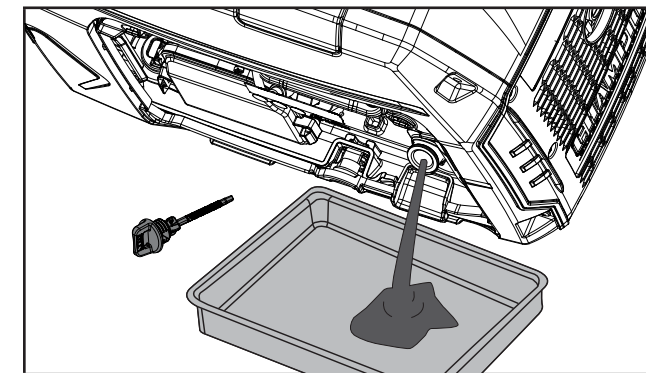
Motoröl wechseln

Wechseln Sie das Öl, wenn der Motor warm ist. Lesen Sie die Ölspezifikation, um die richtige Qualität für Ihre Betriebsumgebung auszuwählen.

1. Stellen Sie den Generator auf eine Werkbank oder einen Tisch.
2. Entfernen Sie die Wartungsabdeckung.
3. Entfernen Sie den Öleinfülldeckel.



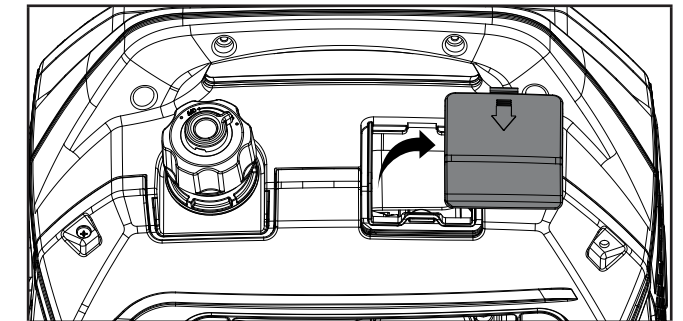
4. Kippen Sie den Generator auf seiner Seite und lassen Sie das Öl vollständig ablaufen



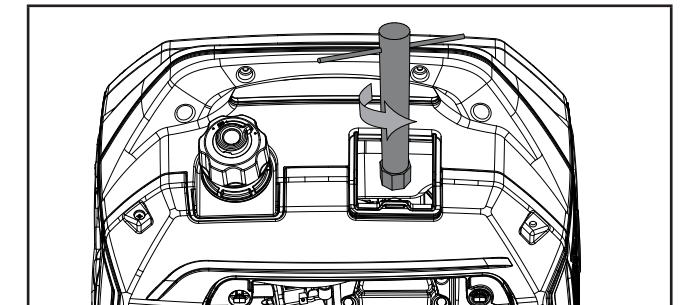
5. Füllen Sie das Öl gemäß "Motoröl hinzufügen" im Abschnitt Montage hinzu. NICHT ÜBERFÜLLEN. Öl nicht im Lieferumfang enthalten für die regelmäßige Wartung.
6. Montieren Sie die Wartungsabdeckung wieder.
7. Entsorgen Sie Altöl in einer zugelassenen Entsorgungseinrichtung.

Reinigen und Einstellen der Zündkerze(n)

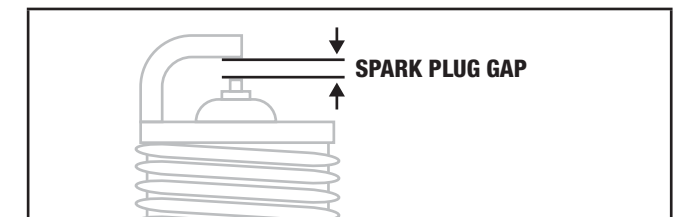
1. Entfernen Sie die Wartungsabdeckung.
2. Remove spark plug access cap from the top panel.



3. Entfernen Sie den Zündkerzendraht von der Zündkerze.
4. Verwenden Sie ein Zündkerzenschlüsselwerkzeug (nicht im Lieferumfang enthalten) oder einen 13/16 Zoll. (21mm) Buchse (nicht im Lieferumfang enthalten) zum Entfernen des Steckers.



5. Überprüfen Sie die Elektrode am Stecker. Er muss sauber und nicht abgenutzt sein, um den für die Zündung erforderlichen Funken zu erzeugen.
6. Stellen Sie sicher, dass die Zündkerzenlücke 0,6-0,7 mm beträgt.

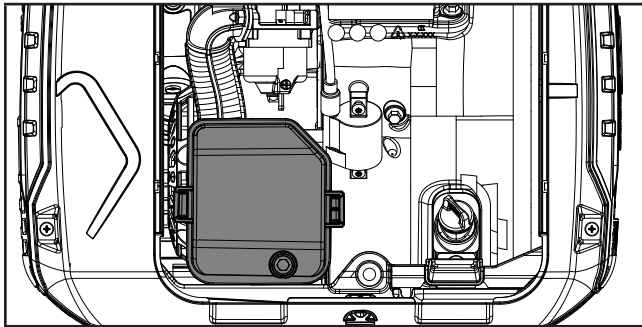


7. Beachten Sie beim Austausch der Kerze die Zündkerzentypen in den technischen Daten.

8. Setzen Sie den Stecker wieder fest ein.
9. Befestigen Sie das Zündkerzenkabel an der Zündkerze.
10. Montieren Sie die Wartungsabdeckung wieder.

Reinigen des Luftfilters

1. Entfernen Sie die Wartungsabdeckung.
2. Suchen Sie die Kunststoffabdeckung des Luftfilters. Entfernen Sie die Schraube mit einem Kreuzschlitzschraubendreher.



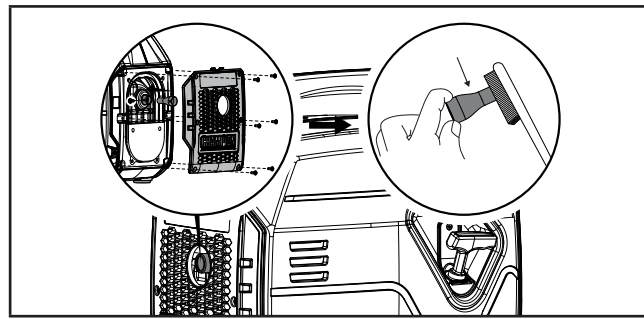
3. Entfernen Sie das Schaumstoffelement.
4. In flüssigem Reinigungsmittel und Wasser waschen. In einem sauberen Tuch gründlich trocknen lassen.
5. In sauberem Motoröl sättigen.
6. Drücken Sie ein sauberes, saugfähiges Tuch ein, um überschüssiges Öl zu entfernen.
7. Setzen Sie den Filter in die Baugruppe ein.
8. Montieren Sie die Luftfilterabdeckung wieder.
9. Montieren Sie die Wartungsabdeckung wieder und ziehen Sie die Deckelschraube fest an.

CAUTION

The filter element may contain PAHs, PAHs are harmful for your health. Please wear gloves for protection during air filter maintenance.

Reinigung des Funkenfängers

1. Lassen Sie den Motor vollständig abkühlen, bevor Sie die Funken Sperre warten.
2. Entfernen Sie die 4 Schrauben, die die Abdeckplatte auf der Schalldämpferseite des Generators halten.
3. Remove the screw which retains the spark arrestor to the muffler.
4. Entfernen Sie das Funken Schutzgitter.
5. Entfernen Sie die Kohlenstoffablagerungen vom Funken Schutzsieb vorsichtig mit einer Drahtbürste..



6. Ersetzen Sie den Funkenfänger, wenn er beschädigt ist.
7. Positionieren Sie den Funken Schutz auf dem Schalldämpfer und befestigen Sie ihn, indem Sie die Schritte von oben rückwärts ausführen.

VORSICHT

Wenn der Funken Schutz nicht gereinigt wird, führt dies zu einer Verschlechterung der Motorleistung..

HINWEIS

Bundes- und landesweite Gesetze und Verwaltungsvorschriften legen fest, wann und wo Funkenfänger erforderlich sind. Bei Bestellung sind für den Betrieb dieses Generators im Nationalwald Funkenfänger erforderlich. In Kalifornien darf dieser Generator nicht auf waldbewachsenem Land, buschigem Land oder grasbewachsenem Land eingesetzt werden, es sei denn, der Motor ist mit einem Funken Schutz ausgestattet.

Einstellen des Reglers

WARNUNG

Manipulationen am werkseitig eingestellten Regler führen zum Erlöschen der Garantie..

Das Luft-Kraftstoff-Gemisch ist nicht einstellbar. Manipulationen am Regler können Ihren Generator und Ihre elektrischen Geräte beschädigen und führen zum Erlöschen der Garantie.

Wartungsplan

Befolgen Sie die in der folgenden Wartungsübersicht angegebenen Wartungsintervalle. . Warten Sie Ihren Generator häufiger, wenn Sie unter widrigen Bedingungen arbeiten.

ALLE 8 STUNDEN ODER TÄGLICH

- ☐ Ölstand prüfen
- ☐ Reinigen Sie den Lufterlass und den Schalldämpfer

ERSTE 5 STUNDEN

- ☐ Öl wechseln

ALLE 50 STUNDEN ODER ZU JEDER JAHRESZEIT

- ☐ Luftfilter reinigen
- ☐ Wechseln Sie das Öl, wenn Sie unter hoher Last oder in heißer Umgebung arbeiten

ALLE 100 STUNDEN ODER ZU JEDER JAHRESZEIT

- ☐ Ölwechsel
- ☐ Zündkerze reinigen/einstellen
- ☐ Ventilspiel prüfen/einstellen*
- ☐ Funken Schutz reinigen
- ☐ Kraftstofftank und Filter reinigen*

ALLE 250 STUNDEN

- ☐ Brennkammer reinigen*

EVERY 3 YEARS

- ☐ Kraftstoffleitung ersetzen*

* Von sachkundigen, erfahrenen Personen oder CPE-zertifizierten Servicezentren durchgeführt werden.

LAGERUNG

GEFAHR

Benzin und Benzindämpfe sind leicht entzündlich und extrem explosiv..

Feuer oder Explosion kann zu schweren Verbrennungen oder zum Tod führen. Füllen oder entleeren Sie Kraftstoff nur im Freien in einem gut belüfteten Bereich. Pumpen Sie KEIN Benzin direkt in den Generator. Verwenden Sie einen zugelassenen Behälter, um den Kraftstoff zum Generator zu transportieren. Verwenden Sie niemals einen Benzinbehälter, Benzintank oder andere Kraftstoffgegenstände, die beschädigt sind oder beschädigt erscheinen. Den Benzintank NICHT überfüllen. Halten Sie den Kraftstoff immer fern von Funken, offenen Flammen, Kontrollleuchten, Hitze und anderen Zündquellen. Zünden oder rauchen Sie keine Zigaretten..

Kurzzeitlagerung (bis zu 1 Jahr)

Benzin im Benzintank hat eine maximale Haltbarkeit von bis zu 1 Jahr unter Zusatz von richtig formulierten Kraftstoffstabilisatoren und wird an einem kühlen, trockenen Ort gelagert. Benzin im Vergaser kann sich jedoch verkleistern und den Vergaser verstopfen, wenn er nicht innerhalb von 2-4 Wochen verwendet oder entleert wird.

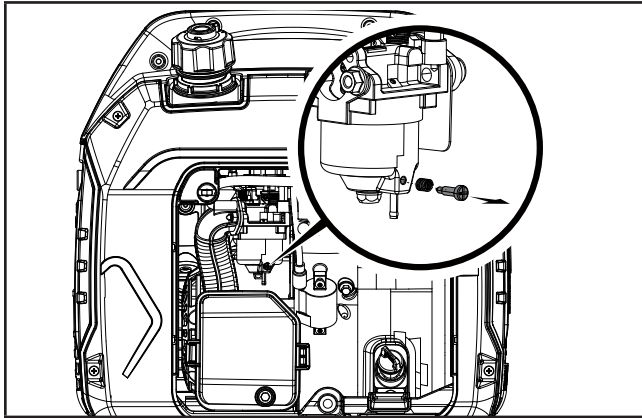
1. Stellen Sie sicher, dass alle Geräte vom Generator getrennt sind.
2. Füge einen richtig formulierten Kraftstoffstabilisator in den Benzintank ein.
3. Starten Sie den Motor, indem Sie den Anweisungen im Abschnitt "Starten des Motors" folgen.
4. Lassen Sie den Generator 10 Minuten lang laufen, damit das behandelte Benzin durch das Kraftstoffsystem und den Vergaser fließt.
5. Motor abstellen, indem Sie den Anweisungen im Abschnitt "Abstellen des Motors" folgen.
6. Lassen Sie den Motor abkühlen.
7. Entfernen Sie die Wartungsabdeckung.
8. Entfernen Sie die Zündkerze und gießen Sie etwa einen Esslöffel Öl in den Zylinder.
9. Ziehen Sie langsam am Rückstoß, um den Motor zu drehen und den Zylinder zu verteilen und zu schmieren.
10. Montieren Sie die Zündkerze und das Zündkerzenkabel wieder.
11. Montieren Sie die Wartungsabdeckung wieder.
12. Reinigen Sie den Generator entsprechend der Reinigung des Generators.
13. Lagern Sie den Generator an einem kühlen, trockenen Ort und vor direkter Sonneneinstrahlung geschützt.

Langzeitlagerung (mehr als 1 Jahr)

Bei einer Lagerung über 1 Jahr müssen der Benzintank und der Vergaser vollständig entleert sein..

1. Stellen Sie sicher, dass alle Geräte vom Generator getrennt sind.
2. Stellen Sie den Wechselrichter auf Blöcke, damit der entsprechende Benzinbehälter oder die Pfanne unter den Wechselrichter gleiten kann.
3. Entfernen Sie die Wartungsabdeckung.
4. Drehen Sie das EZ Start Rad in die Position RUN.
5. Drehen Sie die Ablassschraube mit einem Kreuzschlitzschraubendreher gegen den Uhrzeigersinn (3) volle Umdrehungen. Benzin wird durch einen durchsichtigen Schlauch unter dem Wechselrichter

abgelassen. Achten Sie darauf, dass das Benzin in einen geeigneten Behälter entleert wird..



- Wenn das Benzin nicht mehr aus dem durchsichtigen Rohr fließt, drehen Sie die Ablassschraube im Uhrzeigersinn, bis sie fest sitzt. Entsorgen Sie das entleerte Benzin ordnungsgemäß nach den örtlichen Vorschriften oder Richtlinien.
- Drehen Sie das EZ Start Rad in die Position STOP.
- Führen Sie die Schritte 8-12 entsprechend der Kurzzeitlagerung aus.

Transportation

To prevent fuel spillage when transporting or during temporary storage, the washer should be secured upright in its normal operating position, with the engine switch OFF. The fuel valve lever should be turned OFF.

⚠ WARNING

When transporting:

Do not overfill the tank. Do not operate the washer while it is on vehicle. Take the washer off the vehicle and use it in a well-ventilated place. Avoid a place exposed to direct sunlight when putting the washer on a vehicle. If the washer is left in an enclosed vehicle for many hours, high temperature inside the vehicle could cause fuel to vaporize resulting in a possible explosion. Do not drive on a rough road for an extended period with the washer on board. If you must transport the washer on a rough road, drain the fuel from the washer beforehand.

Aus dem Lagerzustand entnehmen

Wenn der Generator über einen längeren Zeitraum unsachgemäß mit Benzin im Benzintank und/oder Vergaser gelagert wurde, muss der gesamte Kraftstoff abgelassen und der Vergaser gründlich gereinigt werden. Dieser Prozess beinhaltet technisch anspruchsvolle Aufgaben. Für Hilfe wenden Sie sich bitte an Ihren nächsten Champion-Vertriebspartner. Wenn der Benzintank und der Vergaser vor der Lagerung des Generators ordnungsgemäß entleert wurden, befolgen Sie die folgenden Schritte, wenn Sie ihn aus dem Lager entfernen.

- Vergewissern Sie sich, dass sich das EZ Start Einstellrad in der Position STOP befindet.
- Fügen Sie dem Generator Benzin hinzu, wie unter Kraftstoff hinzufügen: Benzin beschrieben.
- Bewegen Sie das EZ Start Rad in die Position START.
- Nach 5 Minuten den Vergaser- und Luftfilterbereich auf undichtes Benzin überprüfen. Wenn Undichtigkeiten festgestellt werden, muss der Vergaser demontiert und gereinigt oder ausgetauscht werden. Wenn keine Benzinlecks festgestellt werden, drehen Sie das EZ Start Einstellrad auf die Position "STOP".
- Überprüfen Sie den Motorölstand und geben Sie bei Bedarf sauberes, frisches Öl nach. Siehe Ölspezifikationen für den richtigen Öltyp.
- Überprüfen und entfernen Sie den Luftfilter von Hindernissen wie Käfern oder Spinnweben. Reinigen Sie bei Bedarf den Luftfilter entsprechend der Reinigung des Luftfilters.
- Starten Sie den Generator gemäß Start des Motors.

⚠ GEFAHR

Das Abgas des Generators enthält geruchloses und farbloses Kohlenmonoxidgas..

Um ein versehentliches oder unbeabsichtigtes Zünden des Generators während der Lagerung zu vermeiden, sollten die folgenden Vorsichtsmaßnahmen getroffen werden:

- Vergewissern Sie sich bei der Lagerung des Generators, dass das EZ-Start-Rad auf die Position "OFF" gestellt ist.

EIGENSCHAFTEN

Stromerzeuger Eigenschaften

Generator Model	92001i-EU
Start Type	Manual
Watts (Starting/Running)	2500/1900
Volts AC	220
AC Amps @ 220V	8.6
Volts DC	12
DC Amps	8
Frequency	50 Hz
Max site altitude of installation	1000m
Measured sound pressure level	58dB(A)
Phase	Single
Grounding Type	Floating Neutral
Weight	39.5 lb. (17.9 kg)
Length	17.3 in. (44 cm)
Width	11.5 in. (29.2 cm)
Height	17.7 in. (45 cm)

Motor Eigenschaften

Model	148F-D
Displacement	79 cc
Type	4-Stroke OHV

Spark Plug

OEM Type	TORCH E5T
Gap	0.024 - 0.031 in. (0.6 - 0.8 mm)

Valve

Intake Clearance	0.004-0.006 in. (0.10-0.15 mm)
Exhaust Clearance	0.006-0.008 in. (0.15-0.20 mm)

🗨 HINWEIS

Ein technisches Merkblatt zu den Einstellverfahren für Ventile ist verfügbar unter www.championpowerequipment.de.

Öl Eigenschaften

NICHT ÜBERFÜLLEN.

Type *See following chart
Capacity 16.9 fl. oz. (0.5 qt.)

Recommended Oil Type / Tipo de aceite recomendado / Type d'huile recommandé								
			10W-30					
	5W-30			10W-40				
	5W-30 Synthetic / Sintético / Synthétique							
°F	-20	0	20	40	60	80	100	120
°C	-28.9	-17.8	-6.7	4.4	15.6	26.7	37.8	48.9
Ambient temperature / Temperatura ambiente / Température ambiante								

🗨 HINWEIS

Das Wetter wird sich auf das Motoröl und die Motorleistung auswirken. Ändern Sie die Art des verwendeten Motoröls je nach Wetterlage entsprechend den Anforderungen des Motors.

Kraftstoff Eigenschaften

Verwenden Sie regelmäßig bleifreies Benzin mit einem Oktanzahl von mindestens 85 und einem Ethanolgehalt von 10 Vol.-% oder weniger. Verwenden Sie NICHT E15 oder E85. NICHT ÜBERFÜLLEN.

Gasoline Capacity 1.1 gal. (4 L)

Temperatur Eigenschaften

Starting Temperature Range (°F/°C) 5 to 104/-15 to 40

🗨 HINWEIS

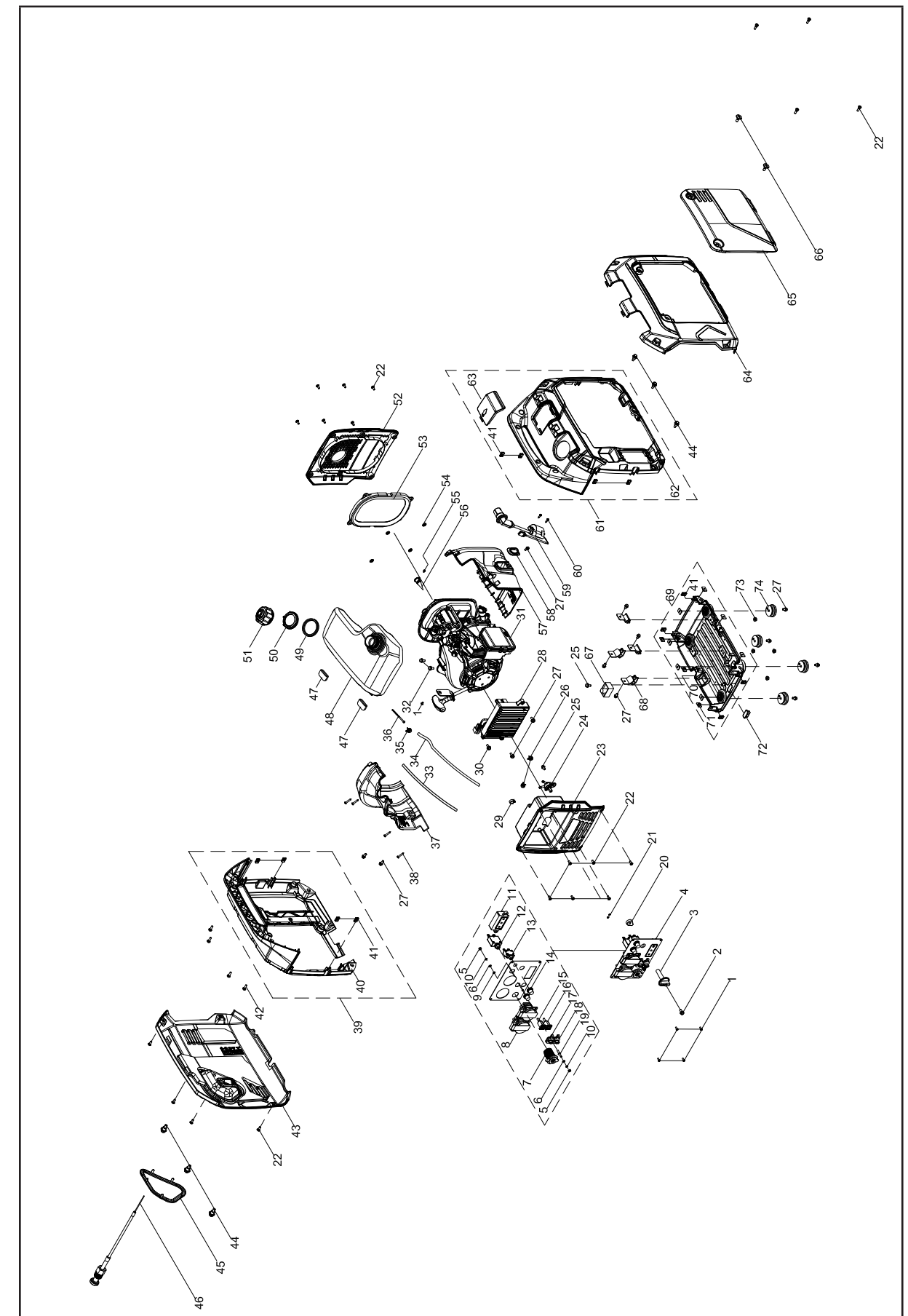
Eine wichtige Nachricht über die Temperatur:

Ihr Produkt ist für den Dauerbetrieb bei Umgebungstemperaturen bis zu 40°C ausgelegt und ausgelegt. Wenn Ihr Produkt benötigt wird, kann es für kurze Zeit bei Temperaturen von -15°C bis 50°C betrieben werden. Wenn es während der Lagerung Temperaturen außerhalb dieses Bereichs ausgesetzt ist, sollte es vor dem Betrieb wieder in diesen Bereich gebracht werden. In jedem Fall muss das Produkt immer im Freien, in einem gut belüfteten Bereich und fernab von Türen, Fenstern und Lüftungen betrieben werden..

FEHLERSUCHE

Problem	Ursache	Lösung
Der Generator startet nicht	Kein Kraftstoff	Kraftstoff hinzufügen
	Defekte Zündkerze	Zündkerze ersetzen
	Low oil level.	Fill crankcase to the proper level.
		Place generator on a flat, level surface.
	Spark plug wire loose.	Attach wire to spark plug.
	Fuel valve is closed.	Open fuel valve.
	Old fuel or water in fuel.	Drain fuel and replace with fresh fuel.
Flooded with fuel.	Let unit stand for 10 mins.	
Der Generator startet, läuft aber unrund.	Choke in der falschen Position	Choke korrekt einstellen
	Dirty air filter.	Clean or replace air filter.
	Dirty fuel valve.	Clean the fuel valve.
	Clogged spark arrestor.	Clean spark arrestor.
Engine shuts down during operation.	Kein Kraftstoff	Kraftstoff hinzufügen
	Low oil level.	Fill crankcase to the proper level. Place generator on a flat, level surface.
	Clogged spark arrestor.	Clean spark arrestor.
Der Generator kann nicht genügend Leistung liefern oder überhitzt.	Generator ist überlastet	Überprüfen Sie die Last und passen Sie sie an. Siehe "Energiemanagement".
	Dirty air filter.	Clean or replace air filter.
	Choke in der falschen Position	Choke korrekt einstellen
Keine AC-Leistung..	Poor cord connection.	Check all connections.
	Circuit breaker is open.	Reset circuit breaker.
	Lose Verkabelung	Überprüfen und festziehen der Kabelverbindungen
	Sonstiges	Kontaktieren Sie die Hotline
Engine hunts or falters.	Engine governor defective.	Contact the help line.
	Dirty fuel valve.	Clean the fuel valve.
	Carburetor is dirty and running lean.	Contact the help line.
	Choke in der falschen Position	Choke korrekt einstellen
Wiederholtes Auslösen des Leistungsschalters.	Überlastung	Überprüfen Sie die Last und passen Sie sie an. Siehe "Energiemanagement".
	Fehlerhafte Kabel oder Verbraucher	Überprüfen Sie, ob die Drähte beschädigt, blank oder ausgefranst sind. Defekte Verbraucher ersetzen
	Circuit breaker still too hot.	Let unit sit for 5 mins.

Parts Diagram



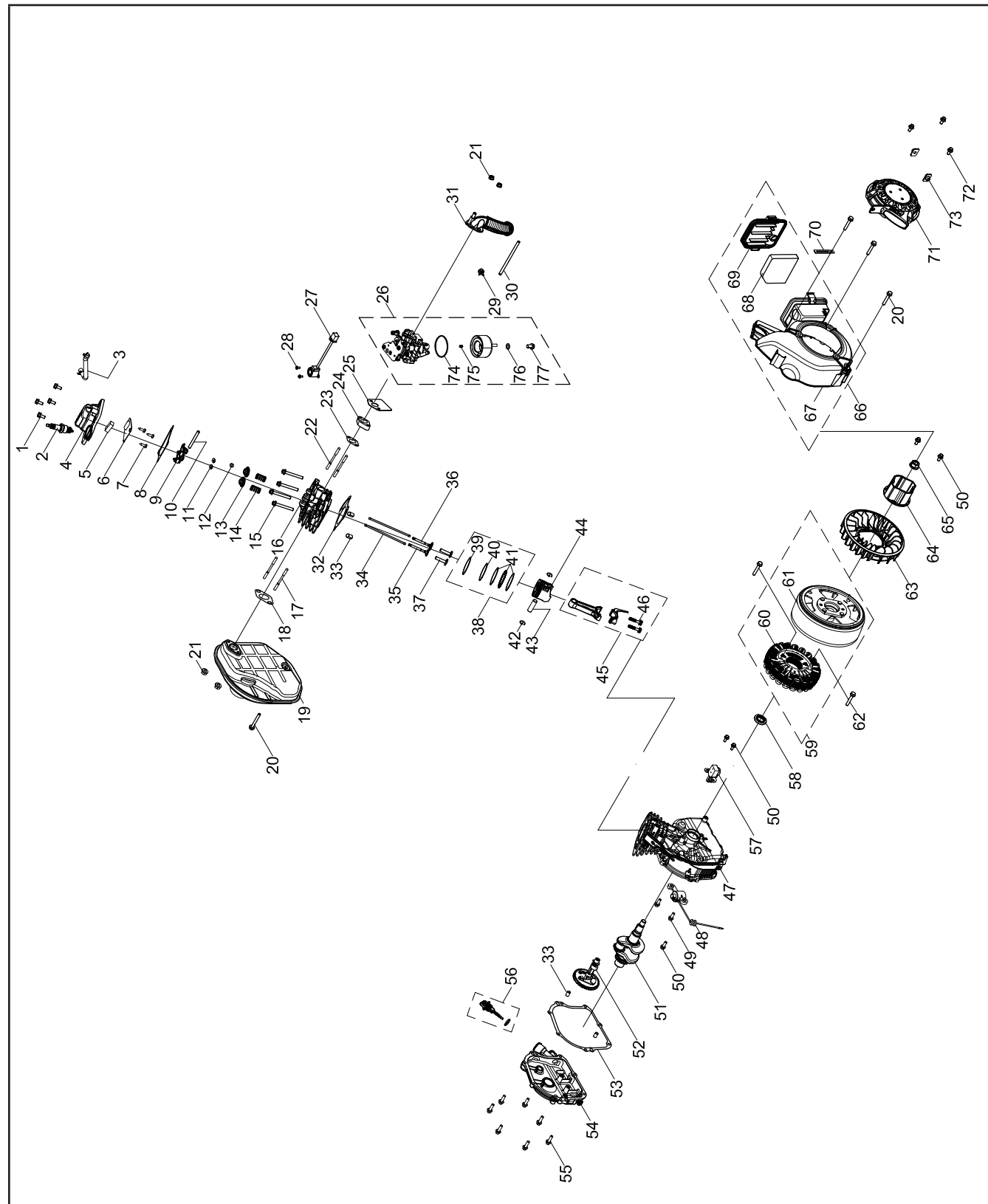
Parts List

#	Part Number	Description	Qty.
1	100010946-0001	Screw M4 x 10	5
2	100095857-0005	Bolt M4 x 18	1
3	100072724	Fuel Valve Lever	1
4	100142156-0001	Panel Assembly	1
5	100088270	Receptacle Cover GFCI 5-20R, Duplex	1
6	100010886-0004	Spring Washer Ø6	2
7	100092320	Ground Stud	1
8	100150096-0002	Grid Socket Cover, Square, Black	1
9	100150096-0001	Grid Socket Cover, Square, Red	1
10	100091059-0002	Grid Socket, Square, Black	1
11	100091059-0001	Grid Socket, Square, Red	1
12	100120180	Breaker Cover	2
13	100019747	20Amp Circuit Breaker, Push Button	1
14	100057719	8Amp Circuit Breaker, Push Button	1
15	100020029	Receptacle 5-20R, Duplex	1
16	100011421-0003	Flange Nut M6	2
17	100142155	Igniter	1
18	100010910-0003	Flat Washer Ø6	2
19	100011025-0001	Lock Washer Ø6, Toothed	1
20	100019782	Cigarette Lighter Receptacle, 12 DC	1
21	100074968	Cable	1
22	100083841	Switch Block	1
23	100091757	Circlip, Bearing Holder, Ø1.8 x Ø6	2
24	100081995	Step Bolt	20
25	100142063-0001	Protect Panel	1
26	100126150	Fuel Valve, Angle 45°	1
27	100011571-0001	Big Flange Bolt M6 x 14	2
28	100005149	Calmp 1, Ø7.5	2
29	100011570-0001	Big Flange Bolt M6 x 12	13
30	100142154	Inverter, 120V 60Hz	1
31	100000671	Clip Ø13	1
32	100011249-0003	Bolt M5 x 12	1
33	1ZC7DFB04	Engine 79cc	1
34	100033099-0006	Big Flange Bolt M6 x 18	2

#	Part Number	Description	Qty.
35	100131884	Tube Sheath, Silicon Resin	1
36	100131883	Fuel Tube, L=275mm	1
37	100090871	Calmp 2, Ø9.7 x 8	1
38	100009020	Fuel Strainer	1
39	100072874	Rear Air Guide	1
40	100011004-0001	Self-tapping Screw ST4.2 x 25	4
41	100092440-0007	Housing Assembly, Left Handle, Black	1
42	100139137	Housing, Left Handle, Black	1
43	100050562	Threaded Clamp	12
44	100033079-0003	Screw M5 x 16	4
45	100142060-0002	Outlook Cover Plate, Left, Yellow	1
46	100081994	Shaft Locating Bolt	6
47	100092446	Protect Board, Starter Handle	1
48	100072727	Rubber Pad	2
49	100087371	Fuel Tank, 4 L	1
50	100073150	Rubber Washer	1
51	100008887	Lock Nut	1
52	100072726-0001	Fuel Tank Cap	1
53	100142062-0001	Window-blinds, Muffler, Black	1
54	100072722	O-ring Seal	1
55	100087972	Retainer Ring	4
56	100011000-0001	Self-tapping Screw ST4.2 x 9.5	1
57	100085794	Spark Arrester Assembly	1
58	100072875	Front Air Guide	1
59	100072878	Oil Seal	1
60	100075041	Ignition Coil	1
61	100093250-0005	Self-tapping Screw ST4.8 x 20	2
62	100092441-0007	Housing Assembly, Right Handle, Black	1
63	100139138	Housing, Right Handle, Black	1
64	100092444-0005	Maintenance Cover Plate, Black	1
65	100142057-0001	Handle The Skeleton, Right, Yellow	1

#	Part Number	Description	Qty.
66	100142061-0001	Outlook Cover Plate, Yellow	1
67	100146896	Handle Washer	2
68	100146895	Handle Spring	2
69	100146894-0001	Tighten Handle Lever	2
70	100142059-0001	Tighten The Handle	2
71	100090005	Rectifier Bridge With Capacitance	1
72	100072715	Vibration Mount, Support	4
73	100088546	Bottom Plate Assembly	1
74	100072711	Bottom Plate, Black	1
75	100072994	Step Nut M6	10
76	100072710	Rubber Damper	1
77	100011452-0003	Nut M6	4
78	100072712	Base	4
79	100154370-0001	Maintenance Cover Plate Assembly	1

Engine Parts Diagram



Engine Parts List

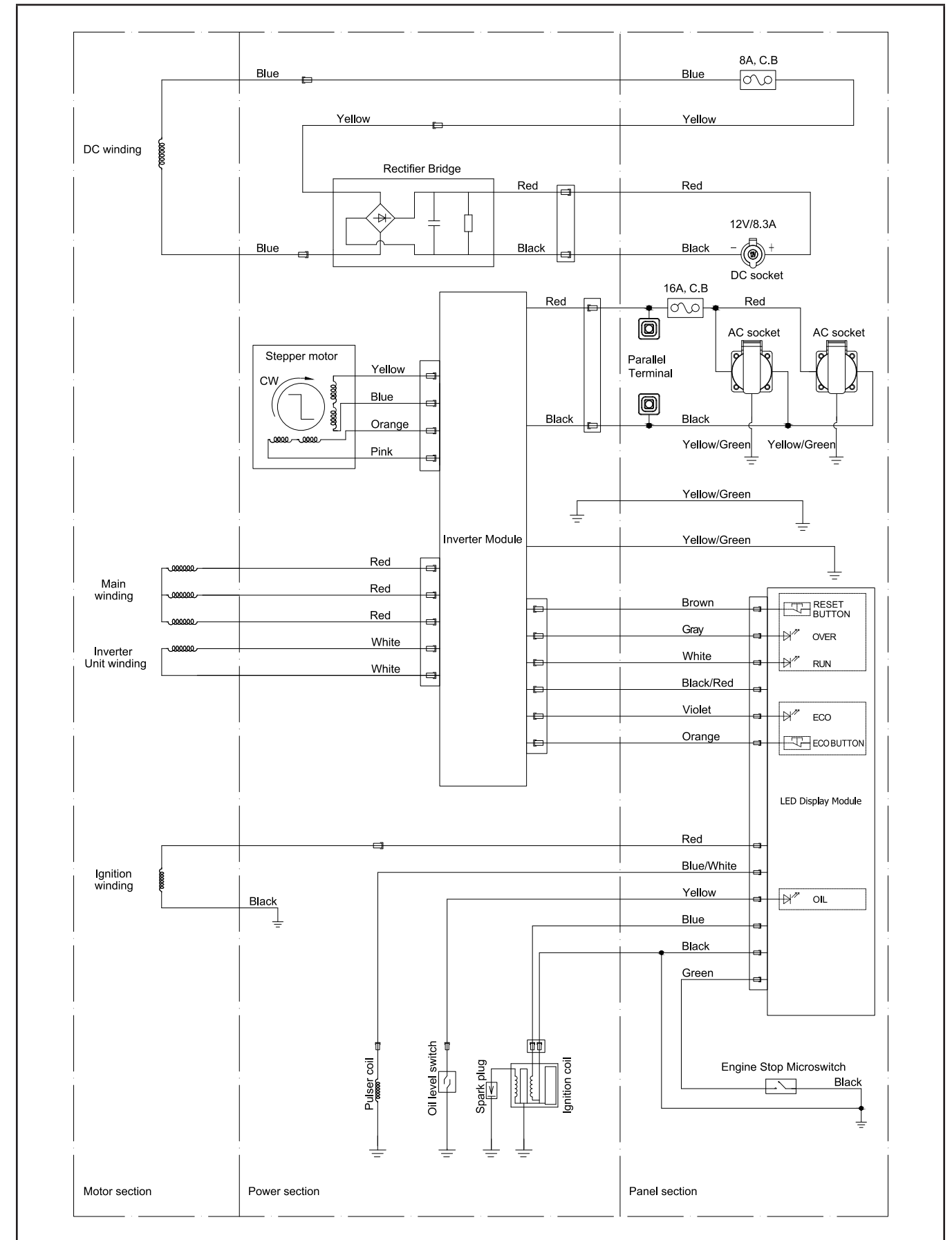
#	Part Number	Description	Qty.
1	100033099-0008	Big Flange Bolt M6 x 18	4
2	100097810	Spark Plug(E6RTC)	1
3	100154528-0001	Breather Tube	1
4	100072876-0001	Cylinder Head Cover Assembly	1
5	100085696	Strainer, Cylinder Head Cover	1
6	100085695	Inner Cover, Cylinder Head Cover	1
7	100005133-0001	Cross Screw M3 x 6.5	3
8	100075052	Gasket, Cylinder Head Cover	1
9	100075054	Rocker Arm Assembly	2
10	100075053	Shaft, Rocker Arm	1
11	100075055	Valve Collet	2
12	100075058	Oil Drip Pan	1
13	100075056	Valve Spring Seat, 182F	2
14	100075057	Spring Valve	2
15	100011275-0005	Flange Bolt M6 x 50, GB5789	4
16	100072877	Cylinder Head	1
17	100088412-0001	Stud Bolt M6 x 73	2
18	100075043	Muffler Pad	1
19	100065662-0001	Exhaust Muffler Assembly	1
20	100011277-0004	Flange Bolt M6 x 60, GB5789	4
21	100011452-0010	Lock Nut M6, Flange	4
22	100010348-0001	Stud Bolt M6 x 87	2
23	100075050	Gasket, Carburetor	1
24	100075049	Insulator, Carburetor	1
25	100075048	Gasket, Insulator	1
26	100154463-0001	Carburetor	1
27	100061512	Stepping Motor	1
28	100051029-0003	Screw M4 x 6	2
29	100005149	Clamp 1, Ø7.5	1
30	100087351-0001	Oil Tube	1
31	100075035	Air Filter Hose	1
32	100085694	Gasket, Cylinder Head	1
33	100010549	Dowel Pin Ø8 x 12	4
34	100075061	Push Rod	2
35	100075059	Valve Exhaust	1
36	100075060	Valve Intake	1

#	Part Number	Description	Qty.
37	100075036	Lifter, Valve	2
38	100075040	Piston Ring Set	1
39	100088147	1st Piston Ring	1
40	100088148	2nd Piston Ring	1
41	100088146	Oil Ring	1
42	100075038	Circlip	2
43	100075039	Wrist Pin	1
44	100075034	Piston	1
45	100075037	Connecting Rod	1
46	100091043	Bolt, Connecting Rod	2
47	100085410	Crankcase	1
48	100075063-0002	Oil Level Sensor	1
49	100031967-0008	Big Flange Bolt M6 x 16	2
50	100011570-0008	Big Flange Bolt M6 x 12	5
51	100065663	Crankshaft	1
52	100095334	Camshaft	1
53	100075062	Gasket, Crankcase Cover	1
54	100072617	Cover, Crankcase	1
55	100031968-0003	Big Flange Bolt M6 x 20	7
56	100084322-0004	Oil Dipstick Assembly, Black	1
57	100092649-0001	Trigger	1
58	100085697	Oil Seal Ø20 x Ø32 x 6	1
59	100159353-0001	Alternator Assembly, Ø150 x 44.5 mm	1
60	100158711-0001	Stator Assembly, Fe, Ø120 x 21 mm	1
61	100085871-0001	Rotor Assembly, Permanent Magneto, Ø150 x 44.5 mm	1
62	100011223-0002	Flange Bolt M6 x 32	2
63	100072871	Cooling Fan	1
64	100072872-0001	Pulley, Starter	1
65	100033063-0002	Flange Nut M12 x 1.25	1
66	100072873	Fan Cover Assembly	1
67	100085054	Fan Cover, Black	1
68	100075483-0001	Air Filter Element	1
69	100075482-0001	Air Filter Cover	1
70	100000655	Wire Clip B	1
71	100075051-0002	Recoil Starter Assembly, Black	1
72	100011571-0002	Big Flange Bolt M6 x 14	3

EN

#	Part Number	Description	Qty.
73	100072994-0001	Step Nut M6	2
74	100131960	Fuel Bowl O-Ring	1
75	100131970	Main Jet Standard	1
	100132397	Main Jet Altitude 1000-2000m	/
	100155679	Main Jet Altitude 2000-3000m	/
76	100006037	Fuel Bowl Mounting Bolt Gasket	1
77	100131964	Fuel Bowl Mounting Bolt	1

Wiring Diagram



Page intentionally left blank.

Page intentionally left blank.

CHAMPION
GLOBAL POWER EQUIPMENT TM-MC